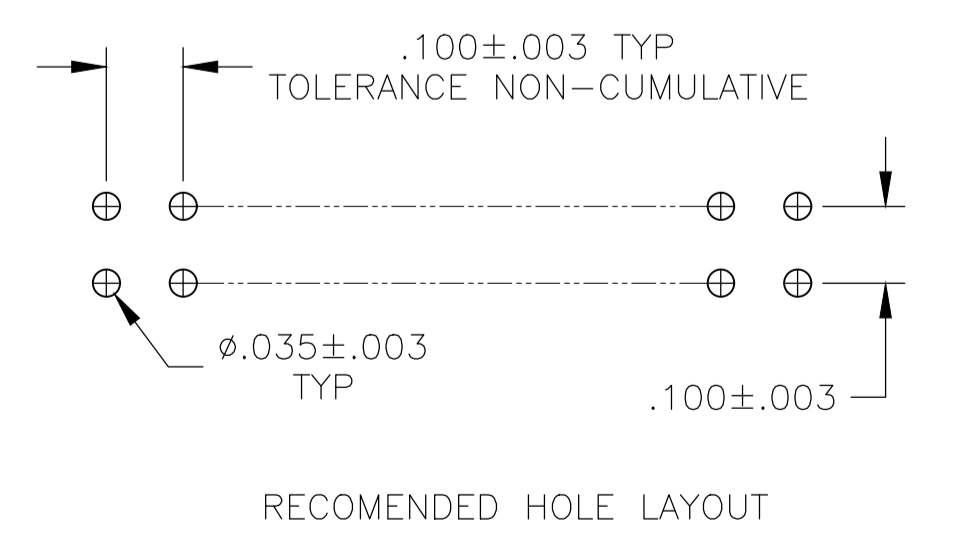
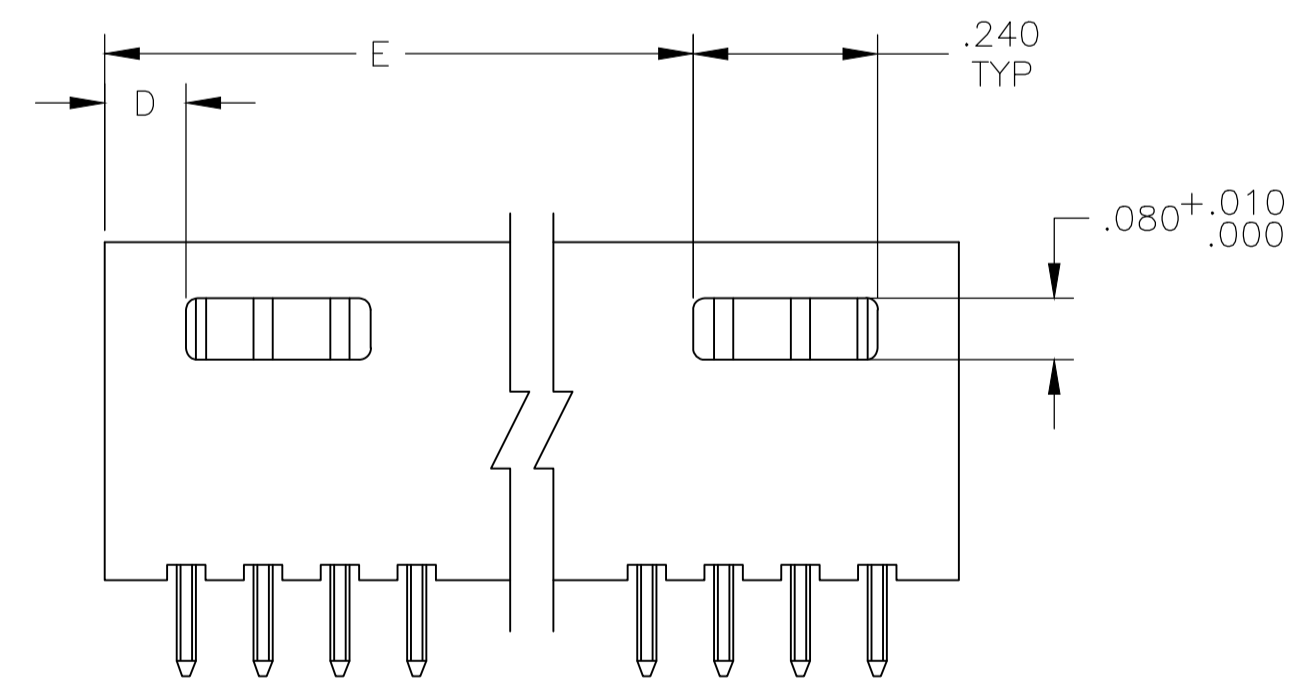
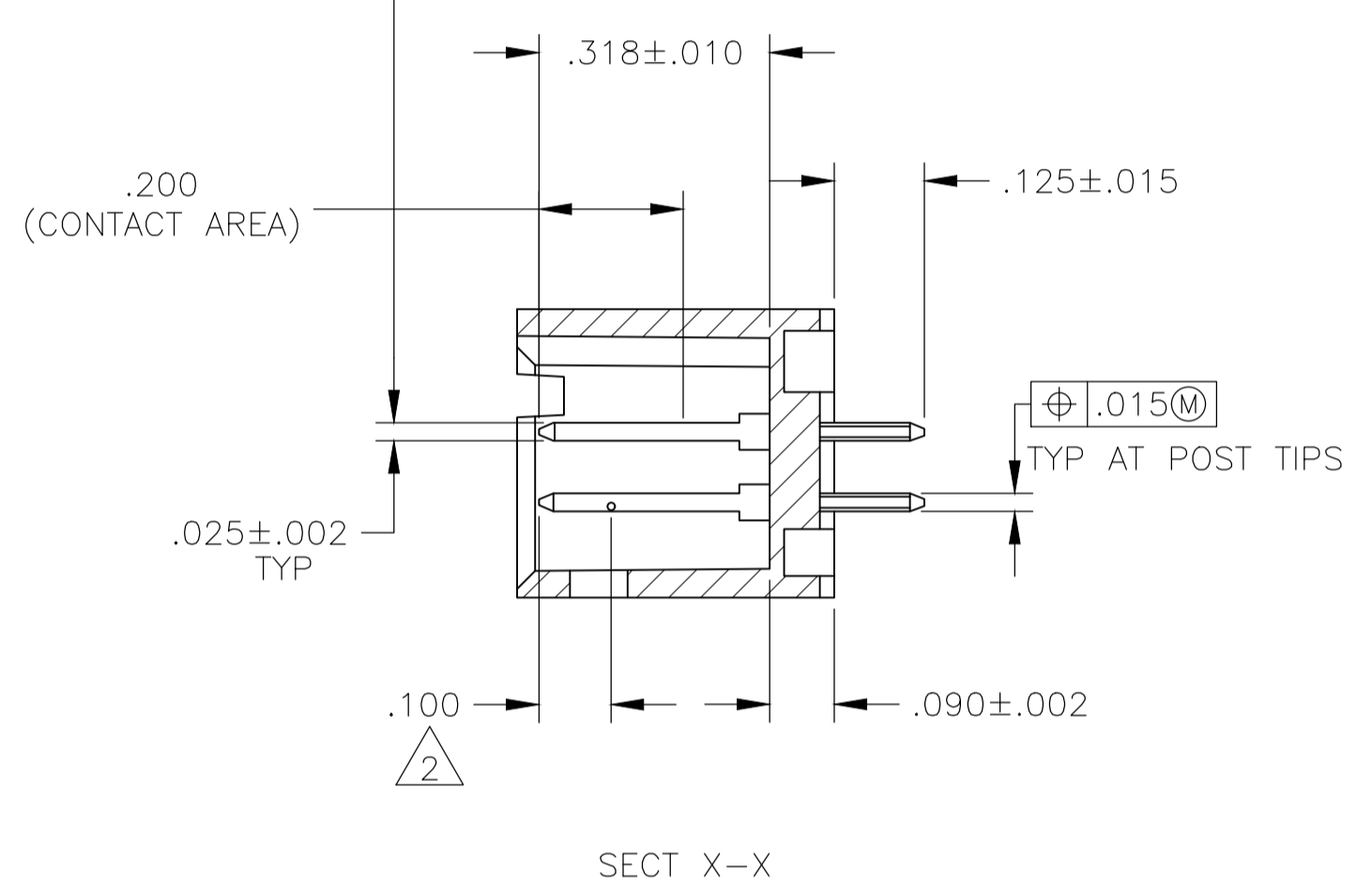
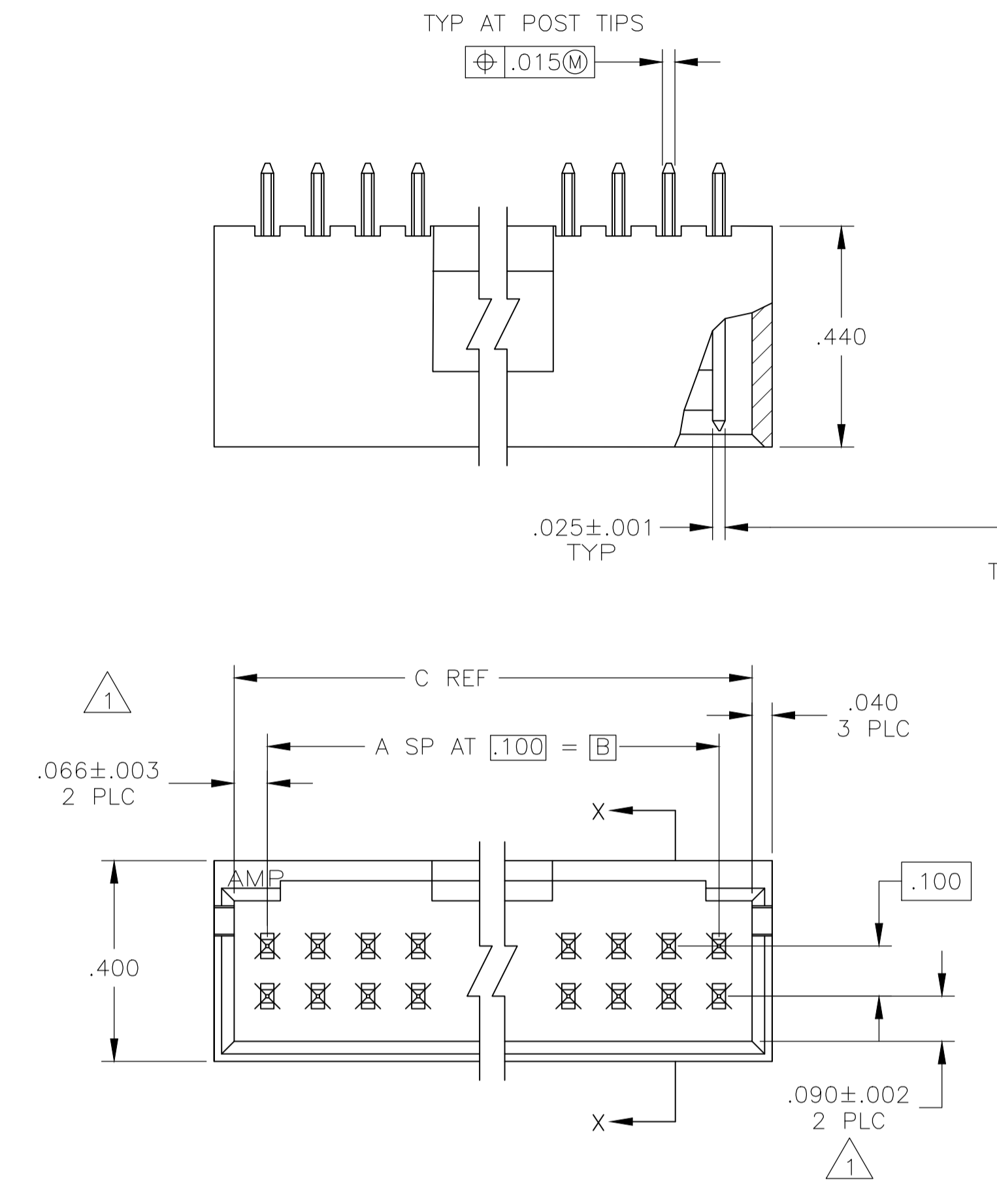


REVISIONS					
P	LTR	DESCRIPTION	DATE	DMN	APVD
L3		PART STATUS UPDATED IN PART LIST TABLE	09FEB2018	SD	PS

- 1 THE NOTED DIMENSIONS APPLY AT THE INTERSECTION OF THE POST AND HOUSING
- 2 POINT OF MEASUREMENT FOR PLATING THICKNESS
- 3 FINISH: POSTS: .000015 GOLD IN CONTACT AREA, .000100-.000200 MATTE TIN-LEAD ON SOLDER TAIL, ALL OVER .000050 NICKEL
- 4 FINISH: POSTS: .000015 GOLD IN CONTACT AREA, .000100-.000200 MATTE TIN ON SOLDER TAIL, ALL OVER .000050 NICKEL
- 5 MATERIALS: HOUSING- FLAME RETARDANT THERMOPLASTIC, COLOR-BLACK
POSTS- PHOS BRONZE
- 6 OBSOLETE PARTS: OBSOLETE CIS STREAMLINING PER D.RENAUD/D.SINISI



REV	DESCRIPTION	DATE	DMN	APVD
8	8-102618-5			
8	8-102618-4			
8	8-102618-3			
8	8-102618-2			
8	8-102618-1			
8	8-102618-0			
7	7-102618-9			
7	7-102618-8			
7	7-102618-7			
7	7-102618-6			
7	7-102618-5			
7	7-102618-4			
7	7-102618-3			
7	7-102618-2			
7	7-102618-1			
7	7-102618-0			
6	6-102618-9			
6	6-102618-8			
6	6-102618-7			
6	6-102618-6			
6	6-102618-5			
6	6-102618-4			
6	6-102618-3			
6	6-102618-2			
6	6-102618-1			
6	6-102618-0			
5	5-102618-9			
5	5-102618-8			
5	5-102618-7			
5	5-102618-6			
5	5-102618-5			
5	5-102618-4			
5	5-102618-3			
5	5-102618-2			
5	5-102618-1			
5	5-102618-0			
3	3-102618-5			
3	3-102618-4			
3	3-102618-3			
3	3-102618-2			
3	3-102618-1			
3	3-102618-0			
2	2-102618-9			
2	2-102618-8			
2	2-102618-7			
2	2-102618-6			
2	2-102618-5			
2	2-102618-4			
2	2-102618-3			
2	2-102618-2			
2	2-102618-1			
2	2-102618-0			
1	1-102618-9			
1	1-102618-8			
1	1-102618-7			
1	1-102618-6			
1	1-102618-5			
1	1-102618-4			
1	1-102618-3			
1	1-102618-2			
1	1-102618-1			
1	1-102618-0			
—	—102618-9			
—	102618-8			
—	102618-7			
—	102618-6			
—	102618-5			
—	102618-4			
—	102618-3			
—	102618-2			
—	102618-1			

SUP BY 5-102618-9

THIS DRAWING IS A CONTROLLED DOCUMENT.

DIMENSIONS: INCHES	TOLERANCES UNLESS OTHERWISE SPECIFIED:	DIN H MOLL 4-9-87	LA MAYER 4-9-87
0 PLC ± .005	1 PLC ± .005	APVD R FEJDT 4-9-87	NAME
2 PLC ± .005	3 PLC ± .005	APPLICATION SPEC	ASSEMBLY, HEADER, MOD II, .025 SQ POST, DBL ROW, .100 X .100 C/L WITH DETENTS
4 PLC ± .005	ANGLES ± .005	SIZE	CAGE CODE DRAWING NO
MATERIAL	FINISH SEE TABLE	WEIGHT	A1 00779 C=102618
		CUSTOMER DRAWING	SCALE 4:1 SHEET 1 OF 1 REV L3

STE TE Connectivity

X-ON Electronics

Largest Supplier of Electrical and Electronic Components

Click to view similar products for [Headers & Wire Housings](#) category:

Click to view products by [TE Connectivity](#) manufacturer:

Other Similar products are found below :

[892-18-020-10-001101](#) [58102-G61-06LF](#) [582553-1](#) [0009485154](#) [009176003701906](#) [0050291907](#) [LY20-4P-DT1-P1E-BR](#) [02.125.8002.8](#)
[609-3404](#) [61062-3](#) [61082-181009](#) [622-3653LF](#) [63453-116](#) [636-1030](#) [636-1427](#) [636-3427](#) [636-4007](#) [641938-9](#) [641991-4](#) [644827-2](#) [65817-010LF](#) [65817-015LF](#) [65863-015LF](#) [66207-023LF](#) [67095-007LF](#) [67601157](#) [68645-018](#) [68648-049](#) [70.362.1628.0](#) [70-4210](#) [70-4226B](#) [70-4853B](#) [707-5020](#) [707-5028](#) [71.350.2428.0](#) [71918-208LF](#) [71961-016LF](#) [733-134](#) [733-162](#) [754199-000](#) [760-3052](#) [787-8014-00](#) [79531-3000](#)
[FCN-360C032-B](#) [FCN-367T-T012/H](#) [FCN-723D010/2](#) [80.063.4001.1](#) [800-90-001-10-001000](#) [800-90-010-10-002000](#) [801-43-002-10-013000](#)