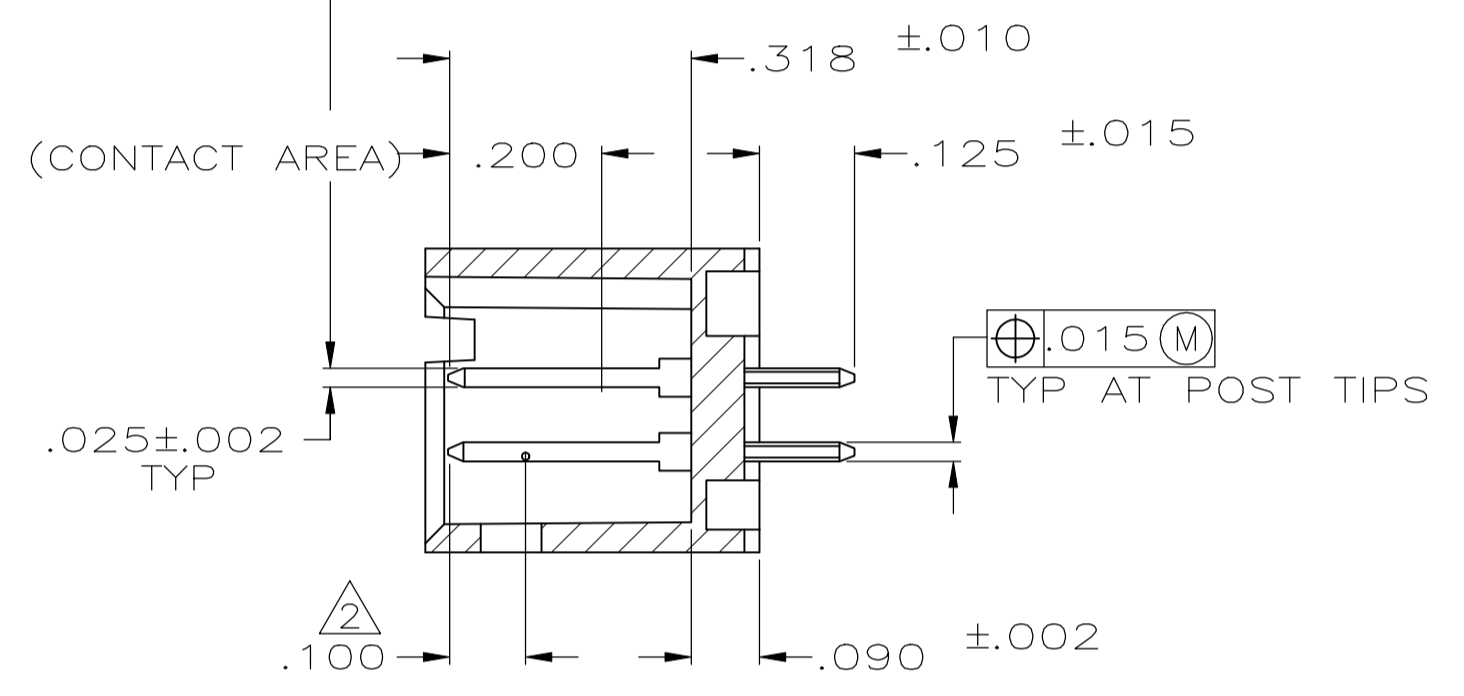
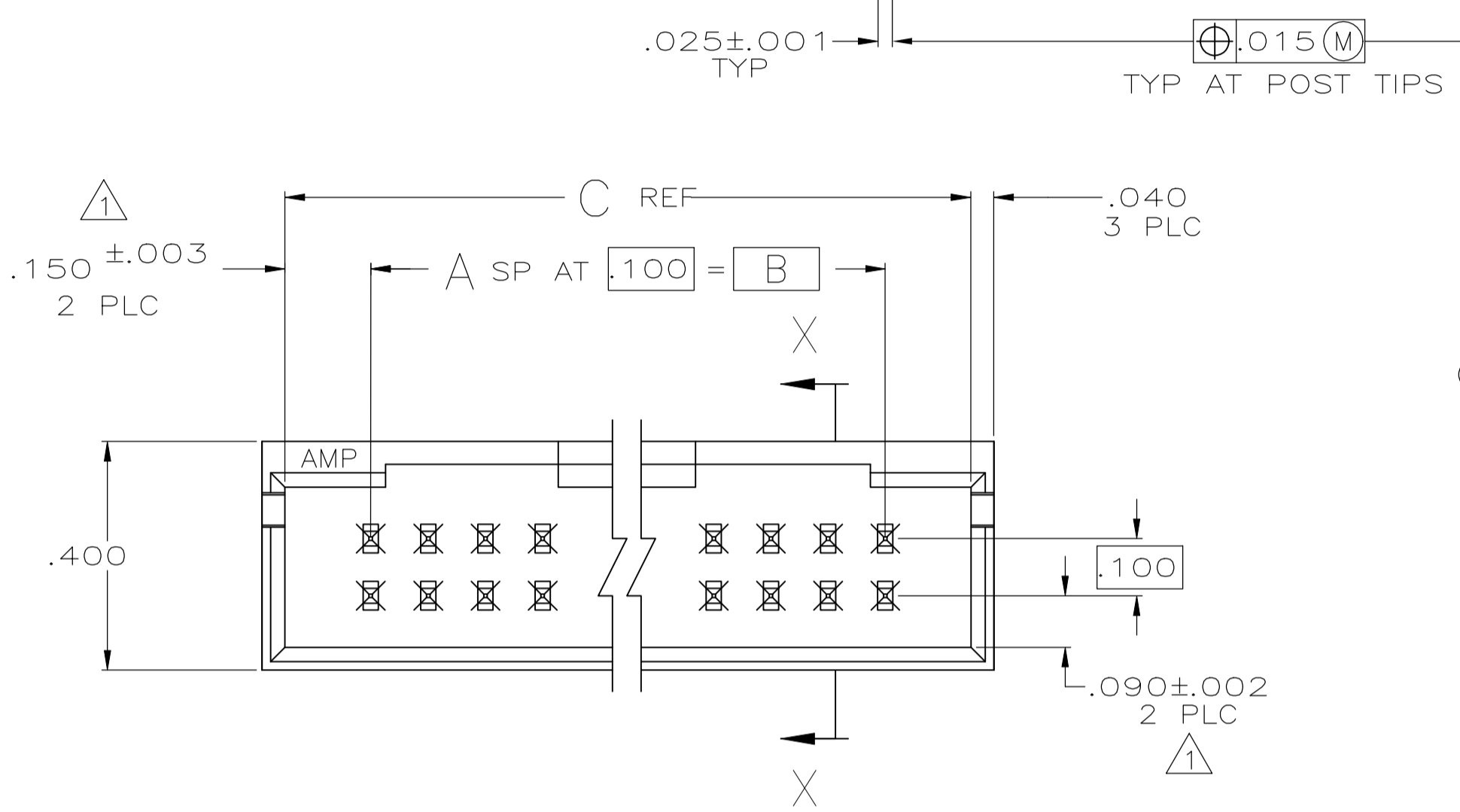
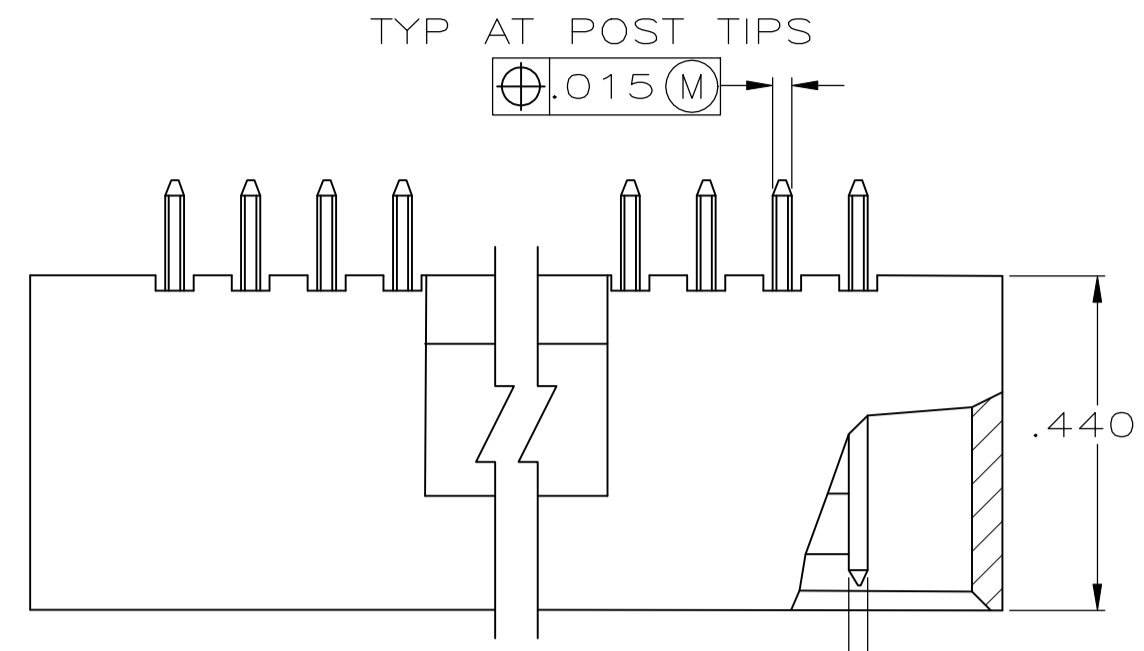
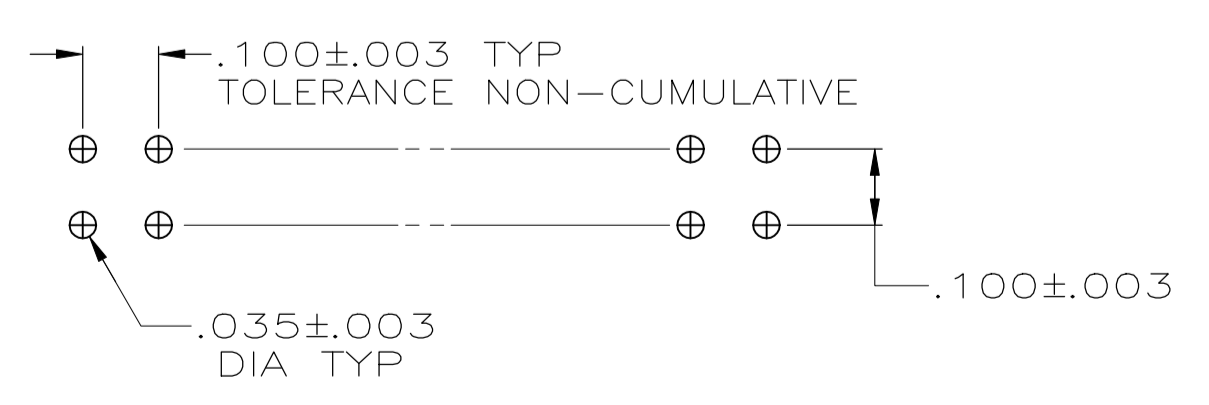
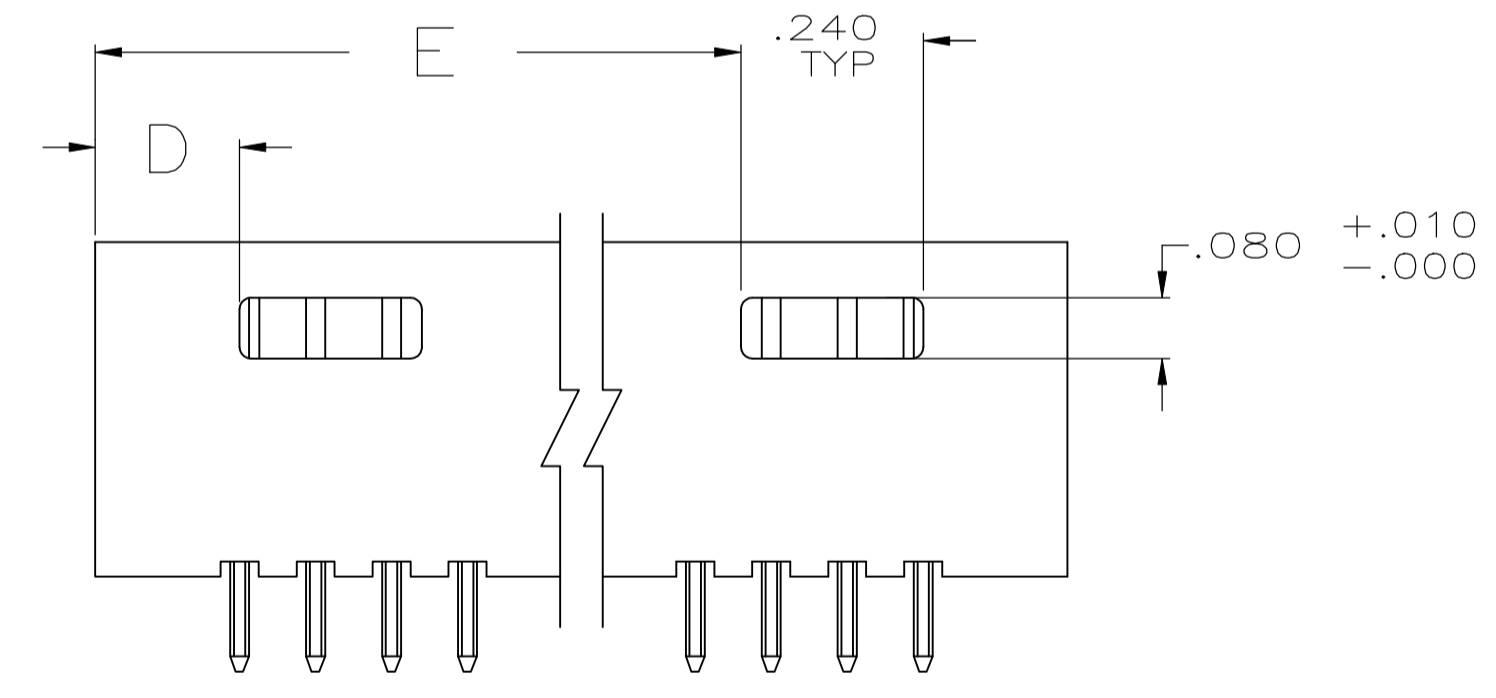


P	LTR	DESCRIPTION	DATE	DRN	APVD
K3		PART STATUS UPDATED IN THE DRAWING	02AUG2018	KJK	PS

- ① THE NOTED DIMENSIONS APPLY AT THE INTERSECTION OF THE POST AND HOUSING
- ② POINT OF MEASUREMENT FOR PLATING THICKNESS
- ③ MATERIAL: HOUSING- FLAME RETARDANT THERMOPLASTIC, COLOR- BLACK  
POSTS- PHOS BRONZE
- ④ FINISH: POSTS- .000015 GOLD IN CONTACT AREA,  
.000100-.000200 MATTE TIN-LEAD ON SOLDER TAIL,  
ALL OVER .000050 NICKEL
- ⑤ FINISH: POSTS- .000015 GOLD IN CONTACT AREA,  
.000100-.000200 MATTE TIN ON SOLDER TAIL,  
ALL OVER .000050 NICKEL
- ⑥ OBSOLETE PARTS: OBSOLETE CIS STREAMLINING PER D.RENAUD/D.SINISI



SECTION X-X



RECOMMENDED HOLE LAYOUT

⑥	⑤	⑥	⑥	⑥	⑥	⑥	⑥	⑥	⑥	⑥
3.490	.190	3.800	3.500	35	72	8-102619-4				
3.390	.190	3.700	3.400	34	70	8-102619-3				
3.290	.190	3.600	3.300	33	68	8-102619-2				
3.190	.190	3.500	3.200	32	66	8-102619-1				
3.090	.190	3.400	3.100	31	64	8-102619-0				
2.990	.190	3.300	3.000	30	62	7-102619-9				
2.890	.190	3.200	2.900	29	60	7-102619-8				
2.790	.190	3.100	2.800	28	58	7-102619-7				
2.690	.190	3.000	2.700	27	56	7-102619-6				
2.590	.190	2.900	2.600	26	54	7-102619-5				
2.490	.190	2.800	2.500	25	52	7-102619-4				
2.390	.190	2.700	2.400	24	50	7-102619-3				
2.290	.190	2.600	2.300	23	48	7-102619-2				
2.190	.190	2.500	2.200	22	46	7-102619-1				
2.090	.190	2.400	2.100	21	44	7-102619-0				
1.990	.190	2.300	2.000	20	42	6-102619-9				
1.890	.190	2.200	1.900	19	40	6-102619-8				
1.790	.190	2.100	1.800	18	38	6-102619-7				
1.690	.190	2.000	1.700	17	36	6-102619-6				
1.590	.190	1.900	1.600	16	34	6-102619-5				
1.490	.190	1.800	1.500	15	32	6-102619-4				
1.390	.190	1.700	1.400	14	30	6-102619-3				
1.290	.190	1.600	1.300	13	28	6-102619-2				
1.190	.190	1.500	1.200	12	26	6-102619-1				
1.090	.190	1.400	1.100	11	24	6-102619-0				
.990	.190	1.300	1.000	10	22	5-102619-9				
.890	.190	1.200	.900	9	20	5-102619-8				
—	.490	1.100	.800	8	18	5-102619-7				
—	.390	1.000	.700	7	16	5-102619-6				
—	.390	.900	.600	6	14	5-102619-5				
—	.290	.800	.500	5	12	5-102619-4				
—	.290	.700	.400	4	10	5-102619-3				
—	.190	.600	.300	3	8	5-102619-2				
—	.190	.500	.200	2	6	5-102619-1				

⑥	OBSOLETE	3.490	.190	3.800	3.500	35	72	3-102619-4
⑥	OBSOLETE	3.390	.190	3.700	3.400	34	70	3-102619-3
⑥	OBSOLETE	3.290	.190	3.600	3.300	33	68	3-102619-2
⑥	OBSOLETE	3.190	.190	3.500	3.200	32	66	3-102619-1
⑥	OBSOLETE	3.090	.190	3.400	3.100	31	64	3-102619-0
⑥	OBSOLETE	2.990	.190	3.300	3.000	30	62	2-102619-9
⑥	OBSOLETE	2.890	.190	3.200	2.900	29	60	2-102619-8
⑥	OBSOLETE	2.790	.190	3.100	2.800	28	58	2-102619-7
⑥	OBSOLETE	2.690	.190	3.000	2.700	27	56	2-102619-6
⑥	OBSOLETE	2.590	.190	2.900	2.600	26	54	2-102619-5
⑥	OBSOLETE	2.490	.190	2.800	2.500	25	52	2-102619-4
⑥	OBSOLETE	2.390	.190	2.700	2.400	24	50	2-102619-3
⑥	OBSOLETE	2.290	.190	2.600	2.300	23	48	2-102619-2
⑥	OBSOLETE	2.190	.190	2.500	2.200	22	46	2-102619-1
⑥	OBSOLETE	2.090	.190	2.400	2.100	21	44	2-102619-0
④	OBSOLETE	1.990	.190	2.300	2.000	20	42	1-102619-9
④	OBSOLETE	1.890	.190	2.200	1.900	19	40	1-102619-8
④	OBSOLETE	1.790	.190	2.100	1.800	18	38	1-102619-7
④	OBSOLETE	1.690	.190	2.000	1.700	17	36	1-102619-6
④	OBSOLETE	1.590	.190	1.900	1.600	16	34	1-102619-5
④	OBSOLETE	1.490	.190	1.800	1.500	15	32	1-102619-4
④	OBSOLETE	1.390	.190	1.700	1.400	14	30	1-102619-3
④	OBSOLETE	1.290	.190	1.600	1.300	13	28	1-102619-2
④	OBSOLETE	1.190	.190	1.500	1.200	12	26	1-102619-1
④	OBSOLETE	1.090	.190	1.400	1.100	11	24	1-102619-0
④	OBSOLETE	.990	.190	1.300	1.000	10	22	102619-9
④	OBSOLETE	.890	.190	1.200	.900	9	20	102619-8
④	OBSOLETE	—	.490	1.100	.800	8	18	102619-7
④	OBSOLETE	—	.390	1.000	.700	7	16	102619-6
④	OBSOLETE	—	.390	.900	.600	6	14	102619-5
④	OBSOLETE	—	.290	.800	.500	5	12	102619-4
④	OBSOLETE	—	.290	.700	.400	4	10	102619-3
④	OBSOLETE	—	.190	.600	.300	3	8	102619-2
④	OBSOLETE	—	.190	.500	.200	2	6	102619-1

THIS DRAWING IS A CONTROLLED DOCUMENT.

DRN	R BROWN	16AUG05
CHK	J GESFORD	16AUG05
APVD	J GESFORD	16AUG05
NAME	STE TE Connectivity Ltd.	
PRODUCT SPEC	HDR ASSY, MOD II, SHROUDED, 4 SIDES, DBL ROW, VERTICAL, 100X.100 CL.	
APPLICATION SPEC	SIZE	CAGE CODE
WEIGHT	—	—
SCALE	A1	00779
CUSTOMER DRAWING	SCALE	4:1

## X-ON Electronics

Largest Supplier of Electrical and Electronic Components

*Click to view similar products for [Headers & Wire Housings](#) category:*

*Click to view products by [TE Connectivity](#) manufacturer:*

Other Similar products are found below :

[892-18-020-10-001101](#) [58102-G61-06LF](#) [582553-1](#) [0009485154](#) [009176003701906](#) [0050291907](#) [LY20-4P-DT1-P1E-BR](#) [02.125.8002.8](#)  
[609-3404](#) [61062-3](#) [61082-181009](#) [622-3653LF](#) [63453-116](#) [636-1030](#) [636-1427](#) [636-3427](#) [636-4007](#) [641938-9](#) [641991-4](#) [644827-2](#) [65817-010LF](#) [65817-015LF](#) [65863-015LF](#) [66207-023LF](#) [67095-007LF](#) [67601157](#) [68645-018](#) [68648-049](#) [70.362.1628.0](#) [70-4210](#) [70-4226B](#) [70-4853B](#) [707-5020](#) [707-5028](#) [71.350.2428.0](#) [71918-208LF](#) [71961-016LF](#) [733-134](#) [733-162](#) [754199-000](#) [760-3052](#) [787-8014-00](#) [79531-3000](#)  
[FCN-360C032-B](#) [FCN-367T-T012/H](#) [FCN-723D010/2](#) [80.063.4001.1](#) [800-90-001-10-001000](#) [800-90-010-10-002000](#) [801-43-002-10-013000](#)