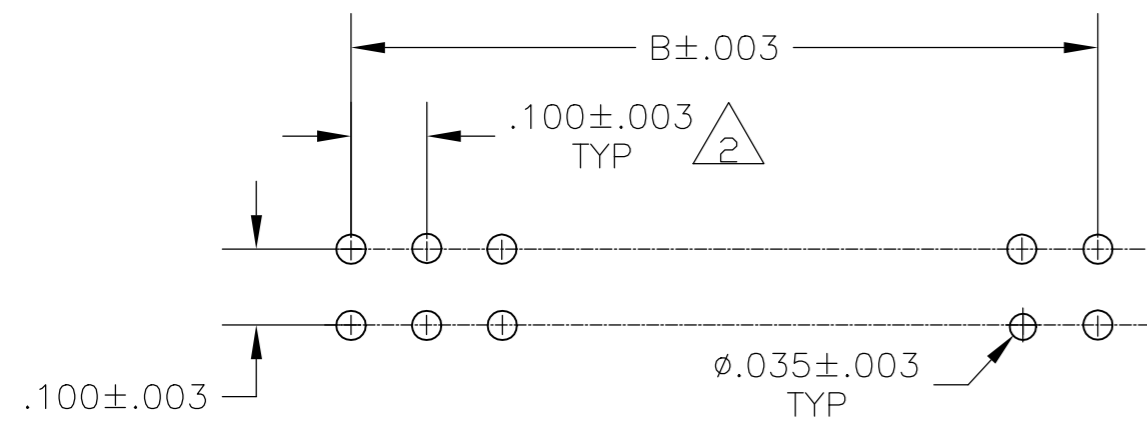
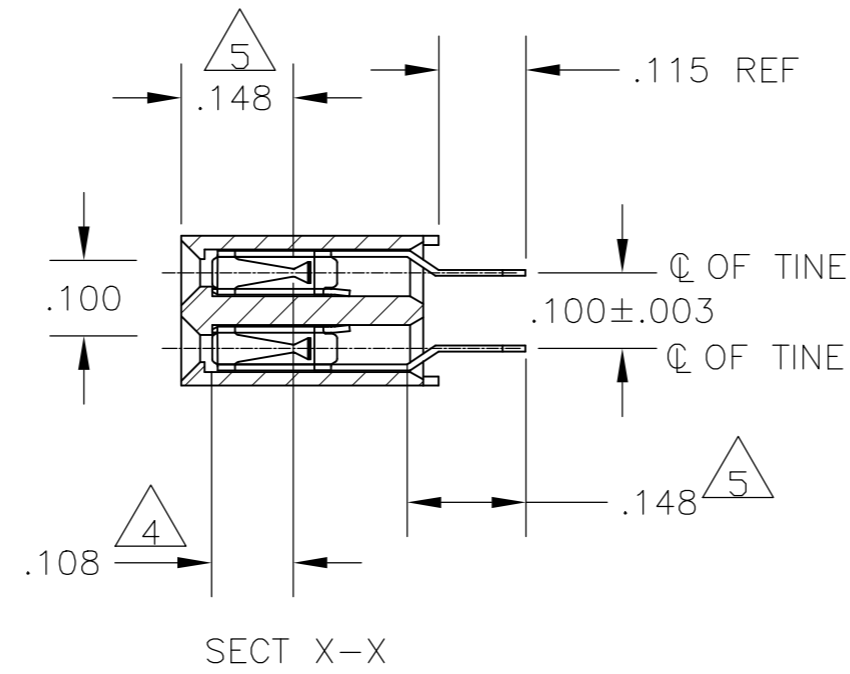
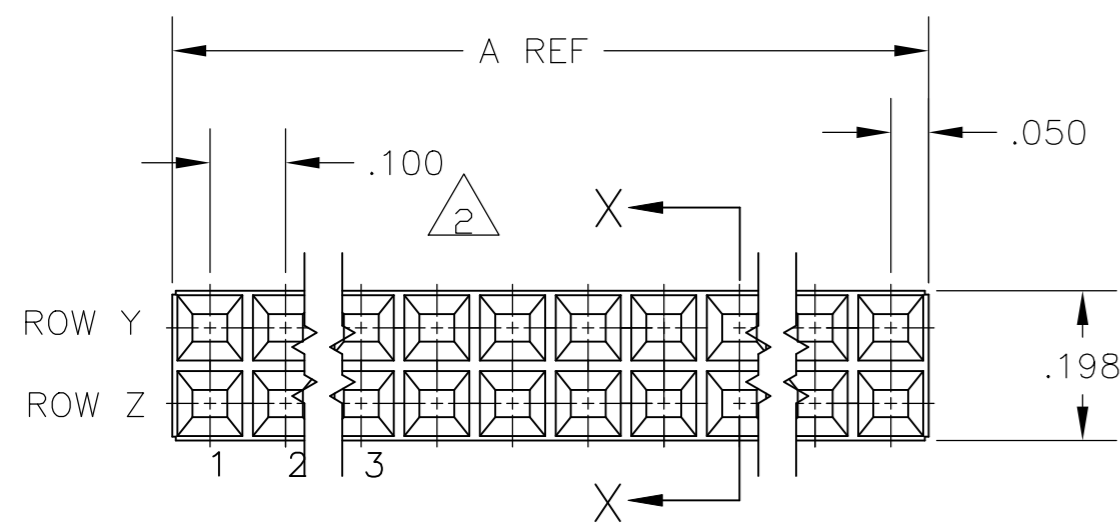
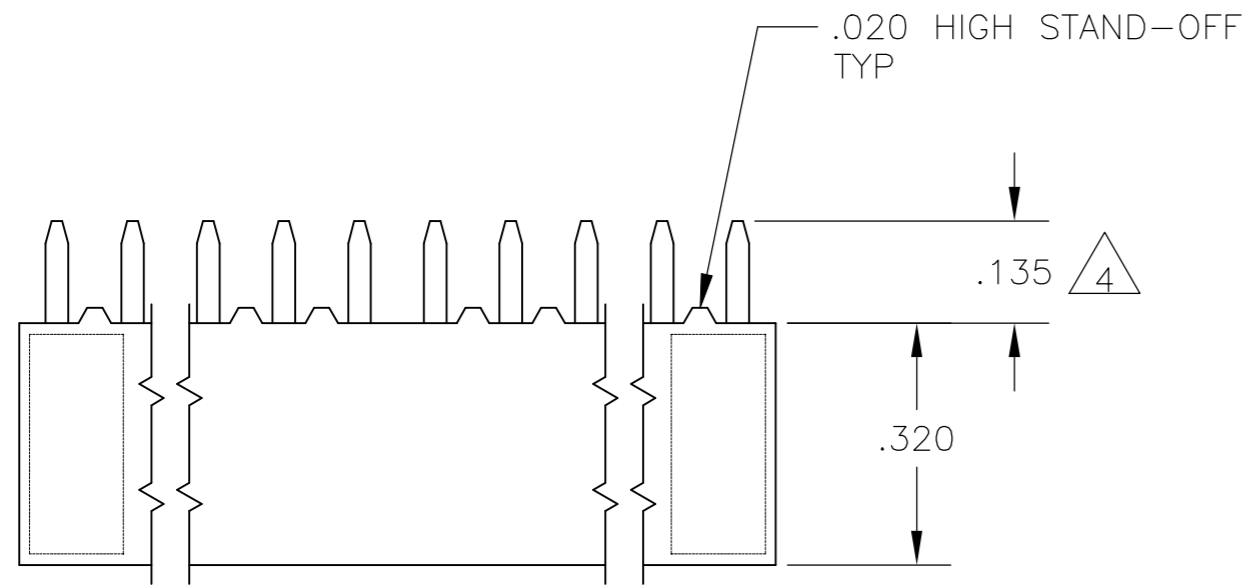


REVISIONS					
P	LTR	DESCRIPTION	DATE	DWN	APVD
	F2	ECR-17-001115	28JAN2018	SD	PS



RECOMMENDED HOLE LAYOUT

- 1 PART NUMBER AND DATE CODE MARKED IN APPROXIMATE LOCATION SHOWN
- 2 CONTACT: DUPLEX PLATED: .000010 GOLD ON CONTACT AREA, .000150-.000300 BRIGHT TIN-LEAD ON SOLDER LEADS, ALL OVER .000050 MINIMUM NICKEL.
- 3. TOLERANCE IS NON-CUMULATIVE.
- 4 POINT OF MEASUREMENT FOR PLATING THICKNESS (MEASURED INSIDE CONTACT BEAMS)
- 5 POINT OF CONTACT MEASUREMENT.
- 6. MATERIAL: HOUSING: GLASS FILLED POLYESTER-COLOR: BLACK CONTACT: PHOSPHOR BRONZE
- 7 CONTACT: DUPLEX PLATED: .000010 GOLD ON CONTACT AREA, .000150-.000300 MATTE TIN ON SOLDER LEADS, ALL OVER .000050 MINIMUM NICKEL.
- 8 ROHS 2002/95/EC COMPLIANT
- 9 TYCO LOGO AND CSA LOGO ARE MOLDED INTO HOUSING, THIS LOCATION.
- 10 OBSOLETE PARTS: OBSOLETE CIS STREAMLINING PER D.RENAUD/D.SINISI

	52	1,2,29&30	1,2,29&30	7	3.000	2.900	60	5-102766-4
OBSOLETE	44	1,2,25&26	1,2,25&26	7	2.600	2.500	52	5-102766-3
	30	1,2,18&19	1,2,18&19	7	1.900	1.800	38	5-102766-2
	40	1,2,23&24	1,2,23&24	7	2.400	2.300	48	5-102766-1
OBSOLETE	52	1,2,29&30	1,2,29&30	2	3.000	2.900	60	102766-4
	44	1,2,25&26	1,2,25&26	2	2.600	2.500	52	102766-3
	30	1,2,18&19	1,2,18&19	2	1.900	1.800	38	102766-2
10 SUPERCEDED	40	1,2,23&24	1,2,23&24	2	2.400	2.300	48	102766-1
NO ACTIVE POS	ROW Y		ROW Z	FINISH	A	B	NO OF POSN	PART NO
CONTACTS OMITTED								

THIS DRAWING IS A CONTROLLED DOCUMENT.

DWN	14-5-81	 TE Connectivity
CHK	15-5-81	
APVD	20-5-81	
DIMENSIONS: INCHES	TOLERANCES UNLESS OTHERWISE SPECIFIED:	NAME
	0 PLC ± - 1 PLC ± - 2 PLC ± - 3 PLC ± - 4 PLC ± - ANGLES ± -	CONNECTOR ASSY., MOD II/IV DOUBLE ROW, .100 X .100 C/L, VERTICAL MOUNTED
MATERIAL	CONTACTS: SEE TABLE	SIZE CAGE CODE DRAWING NO RESTRICTED TO
		A2 00779 C=102766 -
CUSTOMER DRAWING		SCALE SHEET REV
		4:1 1 of 1 F2

## X-ON Electronics

Largest Supplier of Electrical and Electronic Components

*Click to view similar products for [Headers & Wire Housings](#) category:*

*Click to view products by [TE Connectivity](#) manufacturer:*

Other Similar products are found below :

[892-18-020-10-001101](#) [58102-G61-06LF](#) [582553-1](#) [0009485154](#) [009176003701906](#) [0050291907](#) [LY20-4P-DT1-P1E-BR](#) [02.125.8002.8](#)  
[609-3404](#) [61062-3](#) [61082-181009](#) [622-3653LF](#) [63453-116](#) [636-1030](#) [636-1427](#) [636-3427](#) [636-4007](#) [641938-9](#) [641991-4](#) [644827-2](#) [65817-](#)  
[010LF](#) [65817-015LF](#) [65863-015LF](#) [66207-023LF](#) [67095-007LF](#) [67601157](#) [68645-018](#) [68648-049](#) [70.362.1628.0](#) [70-4210](#) [70-4226B](#) [70-](#)  
[4853B](#) [707-5020](#) [707-5028](#) [71.350.2428.0](#) [71918-208LF](#) [71961-016LF](#) [733-134](#) [733-162](#) [754199-000](#) [760-3052](#) [787-8014-00](#) [79531-3000](#)  
[FCN-360C032-B](#) [FCN-367T-T012/H](#) [FCN-723D010/2](#) [80.063.4001.1](#) [800-90-001-10-001000](#) [800-90-010-10-002000](#) [801-43-002-10-013000](#)