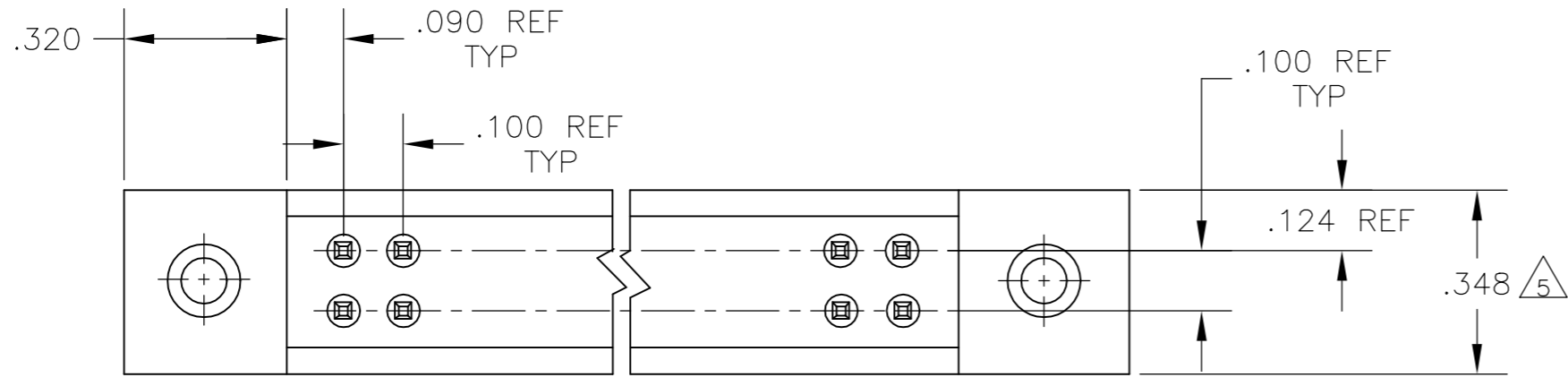
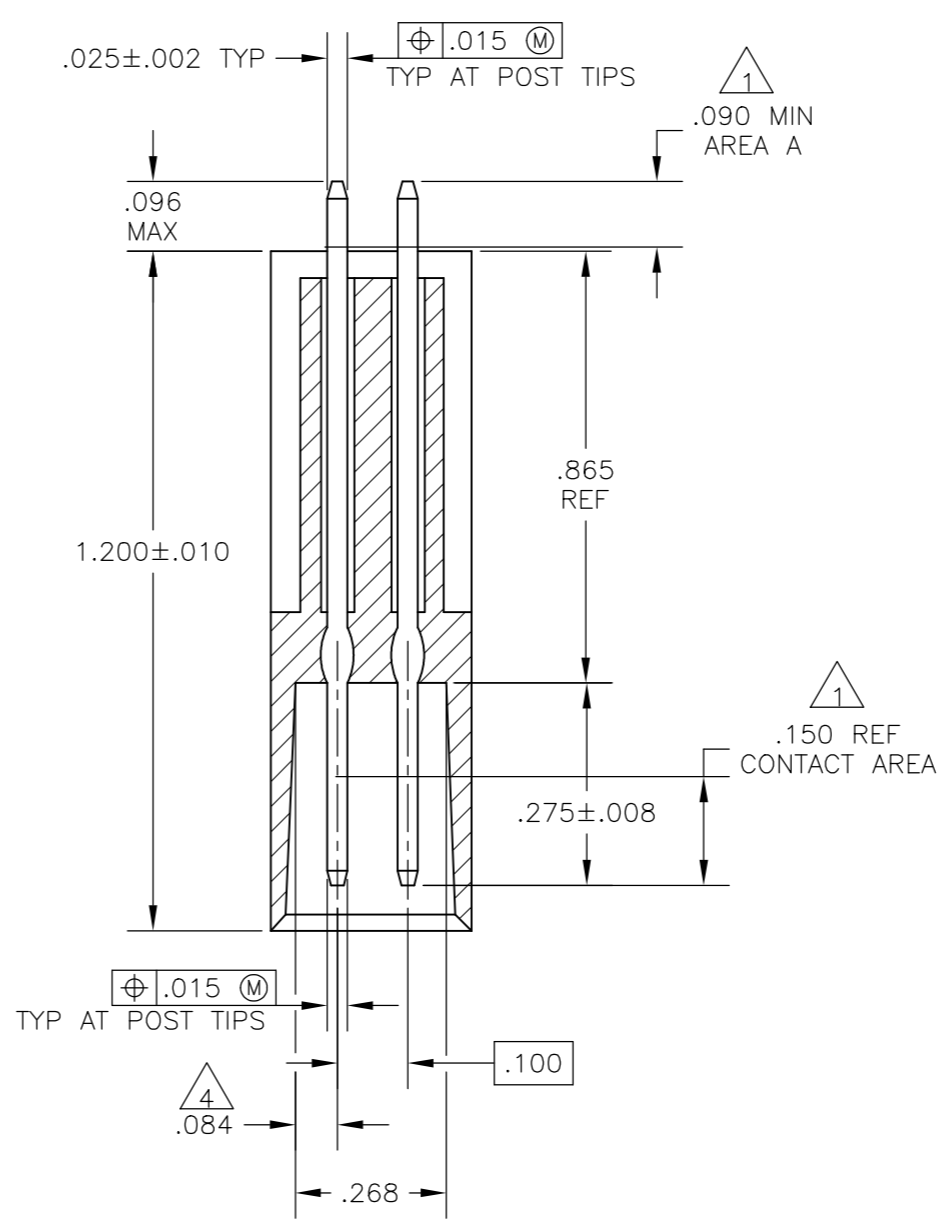
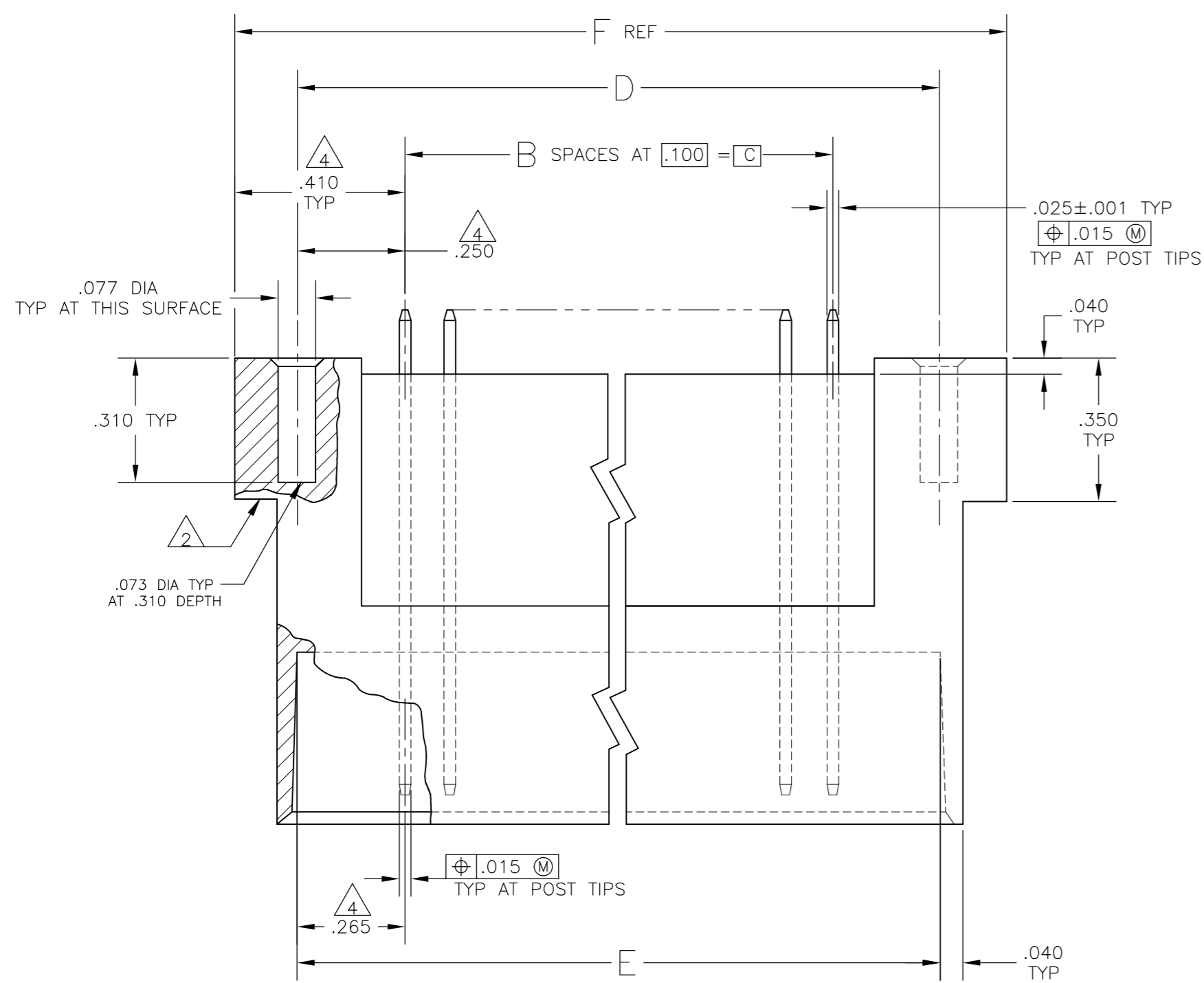


THIS DRAWING IS UNPUBLISHED. RELEASED FOR PUBLICATION
 © COPYRIGHT - TE Connectivity Ltd. ALL RIGHTS RESERVED.

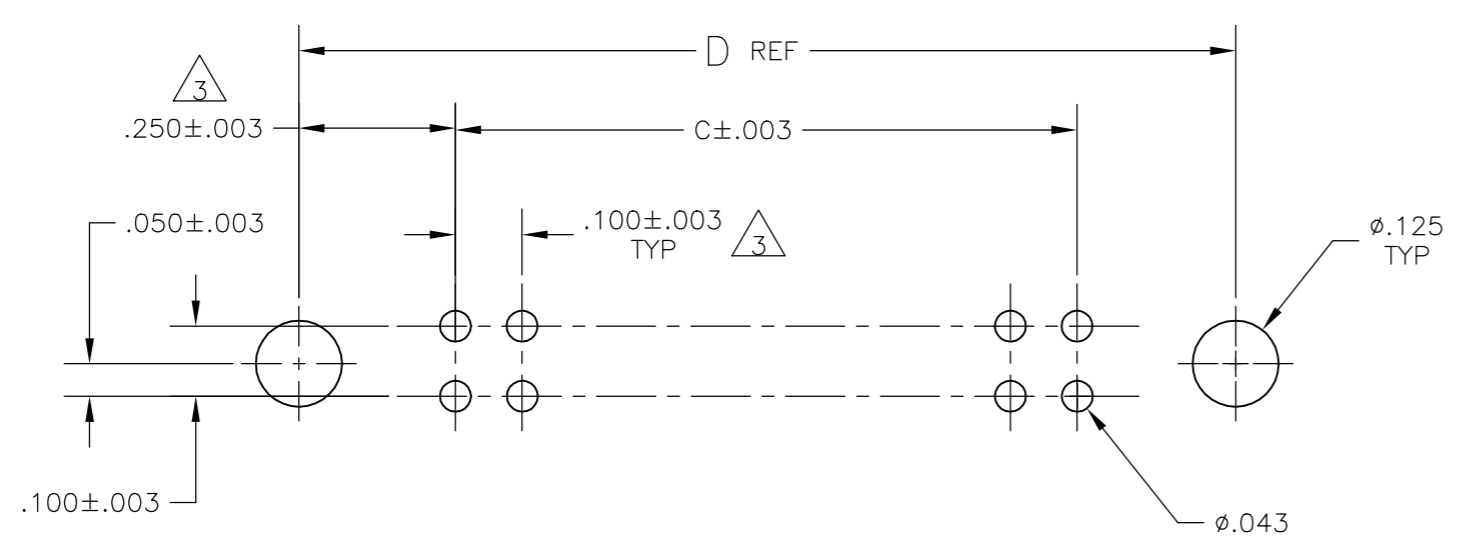
REVISIONS					
P	LTR	DESCRIPTION	DATE	DWN	APVD
G1		PART STATUS UPATED IN PART LIST TABLE	16FEB2018	SD	PS



- 1 .000015 GOLD ON CONTACT AREA, .000100-.000200 MATTE-TIN LEAD IN AREA A, ALL OVER .000050 MIN NICKEL.
- 2 "AMP" TRADEMARK SHALL BE ON PART
- 3 TOLERANCE NON-CUMULATIVE.
- 4 DIMENSION APPLIES AT BASE OF HOUSING.
- 5 DIMENSION APPLIES TO AREA BELOW BASE OF SHROUD.
- 6 OBSOLETE PART NUMBER
- 7 .000015 GOLD ON CONTACT AREA, .000100-.000200 MATTE-TIN IN AREA A, ALL OVER .000050 MIN NICKEL.



TYP SECTION THRU CAVITY



RECOMMENDED HOLE LAYOUT

7	3.320	3.030	3.000	2.500	25	52	5-102826-1
6	1	2.220	1.930	1.900	1.400	14	102826-3
6	1	2.720	2.430	2.400	1.900	19	102826-2
6	1	3.320	3.030	3.000	2.500	25	102826-4
FINISH	F	E	D	C	B	NO OF POSN	PART NUMBER

THIS DRAWING IS A CONTROLLED DOCUMENT.		DWN	17-9-81				
DIMENSIONS: INCHES		CHK	29-9-81				
TOLERANCES UNLESS OTHERWISE SPECIFIED:		APVD	8-10-81	NAME			
0 PLC ± -		PRODUCT SPEC		HEADER ASSY, MOD II, .025 SQ POST, .100 X .100 C/L, DOUBLE ROW			
1 PLC ± -		APPLICATION SPEC		SIZE			
2 PLC ± -		WEIGHT		CAGE CODE			
3 PLC ± .005		CUSTOMER DRAWING		DRAWING NO			
4 PLC ± -		SCALE		RESTRICTED TO			
ANGLES ± 0° 30'		SHEET		REV			
MATERIAL: HSG : 20% FLAME RETARDANT GLASS FILLED NYLON COLOR : BLACK POST : PHOS-BRZ		SCALE: 3:1		SHEET 1 of 1			
POSTS : SEE TABLE		SHEET		REV G1			

X-ON Electronics

Largest Supplier of Electrical and Electronic Components

Click to view similar products for [Headers & Wire Housings](#) category:

Click to view products by [TE Connectivity](#) manufacturer:

Other Similar products are found below :

[892-18-020-10-001101](#) [58102-G61-06LF](#) [582553-1](#) [0009485154](#) [009176003701906](#) [0050291907](#) [LY20-4P-DT1-P1E-BR](#) [02.125.8002.8](#)
[609-3404](#) [61062-3](#) [61082-181009](#) [622-3653LF](#) [63453-116](#) [636-1030](#) [636-1427](#) [636-3427](#) [636-4007](#) [641938-9](#) [641991-4](#) [644827-2](#) [65817-](#)
[010LF](#) [65817-015LF](#) [65863-015LF](#) [66207-023LF](#) [67095-007LF](#) [67601157](#) [68645-018](#) [68648-049](#) [70.362.1628.0](#) [70-4210](#) [70-4226B](#) [70-](#)
[4853B](#) [707-5020](#) [707-5028](#) [71.350.2428.0](#) [71918-208LF](#) [71961-016LF](#) [733-134](#) [733-162](#) [754199-000](#) [760-3052](#) [787-8014-00](#) [79531-3000](#)
[FCN-360C032-B](#) [FCN-367T-T012/H](#) [FCN-723D010/2](#) [80.063.4001.1](#) [800-90-001-10-001000](#) [800-90-010-10-002000](#) [801-43-002-10-013000](#)