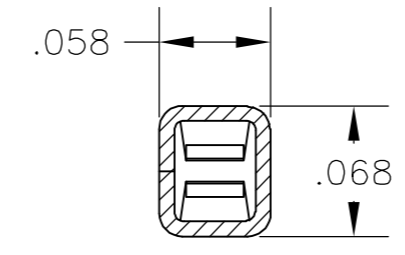
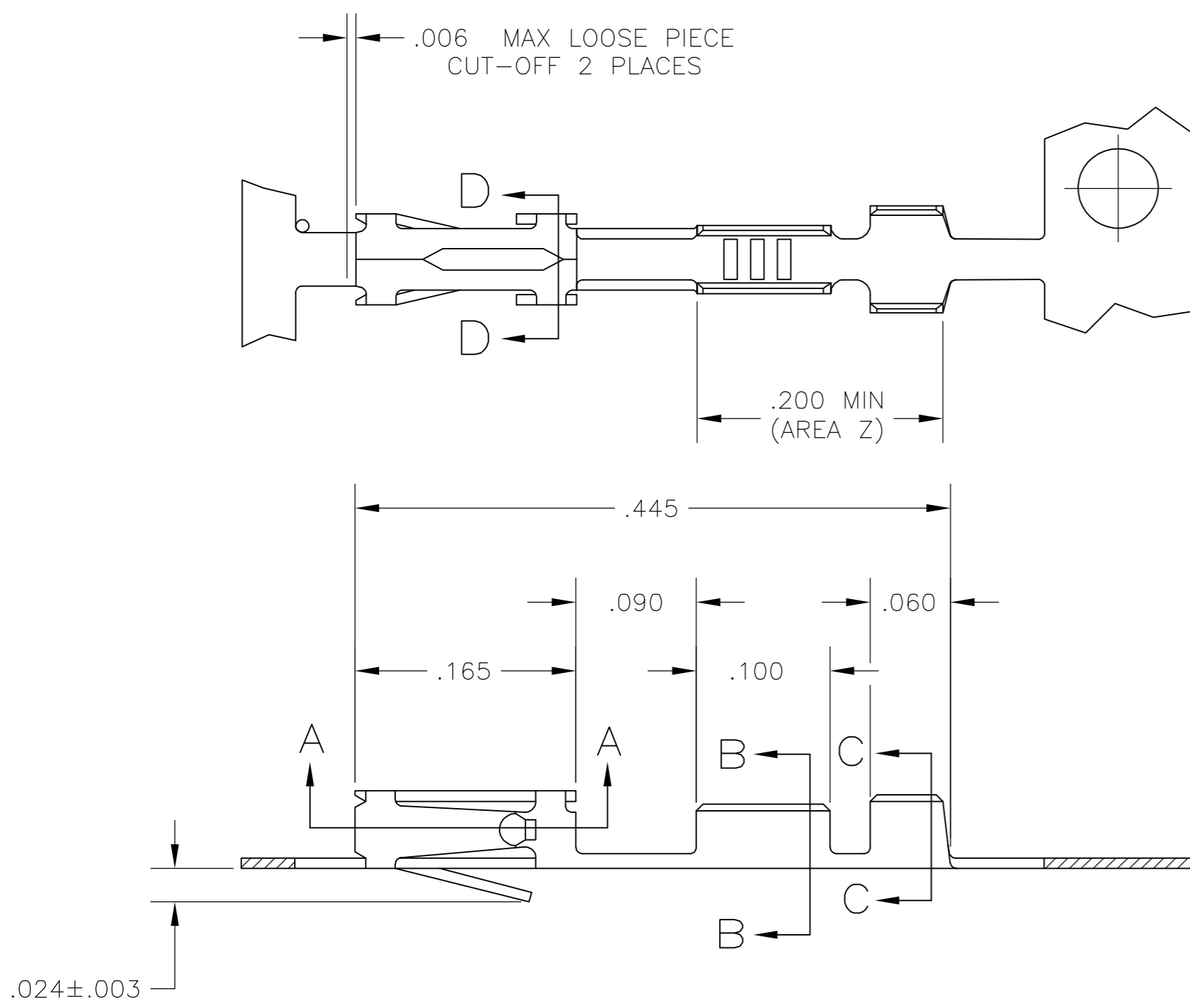
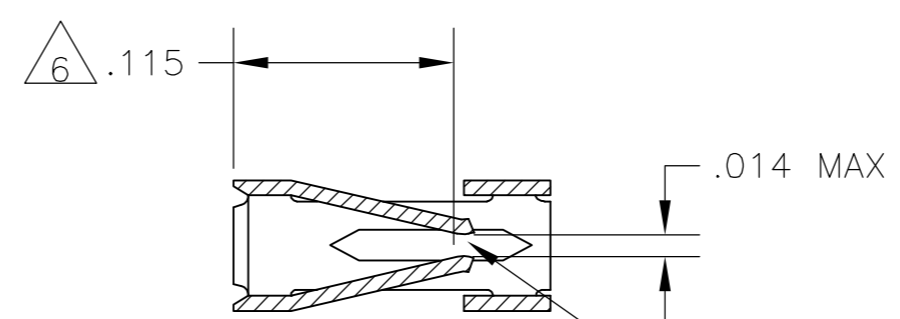


THIS DRAWING IS UNPUBLISHED. RELEASED FOR PUBLICATION  
 © COPYRIGHT BY TYCO ELECTRONICS CORPORATION. ALL RIGHTS RESERVED.

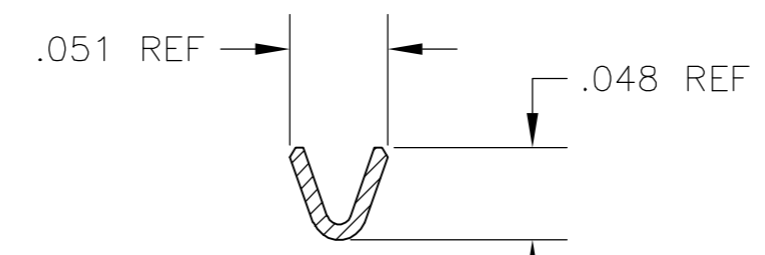
LOC	DIST	REVISIONS			
P	LTR	DESCRIPTION	DATE	DWN	APVD
AD	00	G	ECO-05-007262	09JAN06	BSV MM



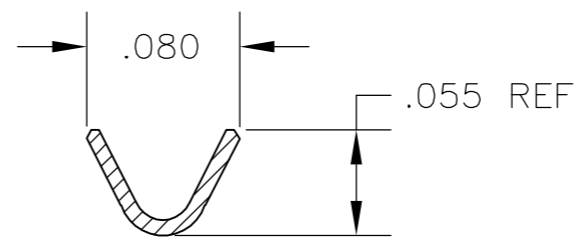
SECTION D-D



SECTION A-A  
POINT OF MEASUREMENT FOR PLATING THICKNESS



WIRE SIZE #27-#32  
SECTION B-B



SECTION C-C  
INSULATION RANGE - .020-.040 DIA

- 1 .000030 ON CONTACT AREA, .000100-.000200 93/7 TIN LEAD IN CRIMP AREA "Z", ALL OVER .000050 NICKEL.
- 2. REELED FOR MINI APPLICATOR.
- 3 SHEARED EDGES PERMITTED TO BE UNPLATED.
- 4 .000015 GOLD IN AREA "K", .000100-.000200 BRIGHT TIN-LEAD IN AREA "Z", ALL OVER .000050 NICKEL.
- 5 .000015 GOLD IN CONTACT AREA, .000050 NICKEL ENTIRE CONTACT.
- 6 POINT OF MEASUREMENT FOR PLATING THICKNESS (INSIDE BEAMS)
- 7 .000030 ON CONTACT AREA, .000100-.000200 MATTE TIN IN CRIMP AREA "Z", ALL OVER .000050 NICKEL.

	LOOSE PIECE	$\frac{3}{7}$	5-102920-2
	LOOSE PIECE	$\frac{3}{7}$	5-102920-1
OBSELETE	LOOSE PIECE	$\frac{3}{5}$	102920-8
OBSELETE	LOOSE PIECE	$\frac{3}{5}$	102920-7
OBSELETE	LOOSE PIECE	$\frac{3}{4}$	102920-5
OBSELETE	LOOSE PIECE	$\frac{3}{4}$	102920-4
	LOOSE PIECE	$\frac{3}{1}$	102920-2
	LOOSE PIECE	$\frac{3}{1}$	102920-1
	REMARKS	FINISH	PART NUMBER

THIS DRAWING IS A CONTROLLED DOCUMENT.		DWN KATE HELM 03MAY89	Tyco Electronics Corporation Harrisburg, Pa 17105-3608		
DIMENSIONS: INCHES		CHK C. OBERMAN 02JUN89			
TOLERANCES UNLESS OTHERWISE SPECIFIED:		APVD J. GESFORD 02JUN89	NAME		
0 PLC ± - 1 PLC ± - 2 PLC ± - 3 PLC ± .005 4 PLC ± - ANGLES ± - FINISH SEE TABLE		PRODUCT SPEC 108-25021	CONTACT, MOD IV 1/2, RECEPTACLE, CRIMP SNAP-IN		
MATERIAL CU-SN-P ALLOY 521 .008 THK COML		APPLICATION SPEC 114-25003	SIZE A2	CAGE CODE 00779	DRAWING NO C=102920
		WEIGHT -	RESTRICTED TO -		
		CUSTOMER DRAWING	SCALE 10:1	SHEET 1 OF 1	REV G

## X-ON Electronics

Largest Supplier of Electrical and Electronic Components

*Click to view similar products for [Headers & Wire Housings](#) category:*

*Click to view products by [TE Connectivity](#) manufacturer:*

Other Similar products are found below :

[892-18-020-10-001101](#) [58102-G61-06LF](#) [582553-1](#) [0009485154](#) [009176003701906](#) [0050291907](#) [LY20-4P-DT1-P1E-BR](#) [02.125.8002.8](#)  
[609-3404](#) [61062-3](#) [61082-181009](#) [622-3653LF](#) [63453-116](#) [636-1030](#) [636-1427](#) [636-3427](#) [636-4007](#) [641938-9](#) [641991-4](#) [644827-2](#) [65817-](#)  
[010LF](#) [65817-015LF](#) [65863-015LF](#) [66207-023LF](#) [67095-007LF](#) [67601157](#) [68645-018](#) [68648-049](#) [70.362.1628.0](#) [70-4210](#) [70-4226B](#) [70-](#)  
[4853B](#) [707-5020](#) [707-5028](#) [71.350.2428.0](#) [71918-208LF](#) [71961-016LF](#) [733-134](#) [733-162](#) [754199-000](#) [760-3052](#) [787-8014-00](#) [79531-3000](#)  
[FCN-360C032-B](#) [FCN-367T-T012/H](#) [FCN-723D010/2](#) [80.063.4001.1](#) [800-90-001-10-001000](#) [800-90-010-10-002000](#) [801-43-002-10-013000](#)