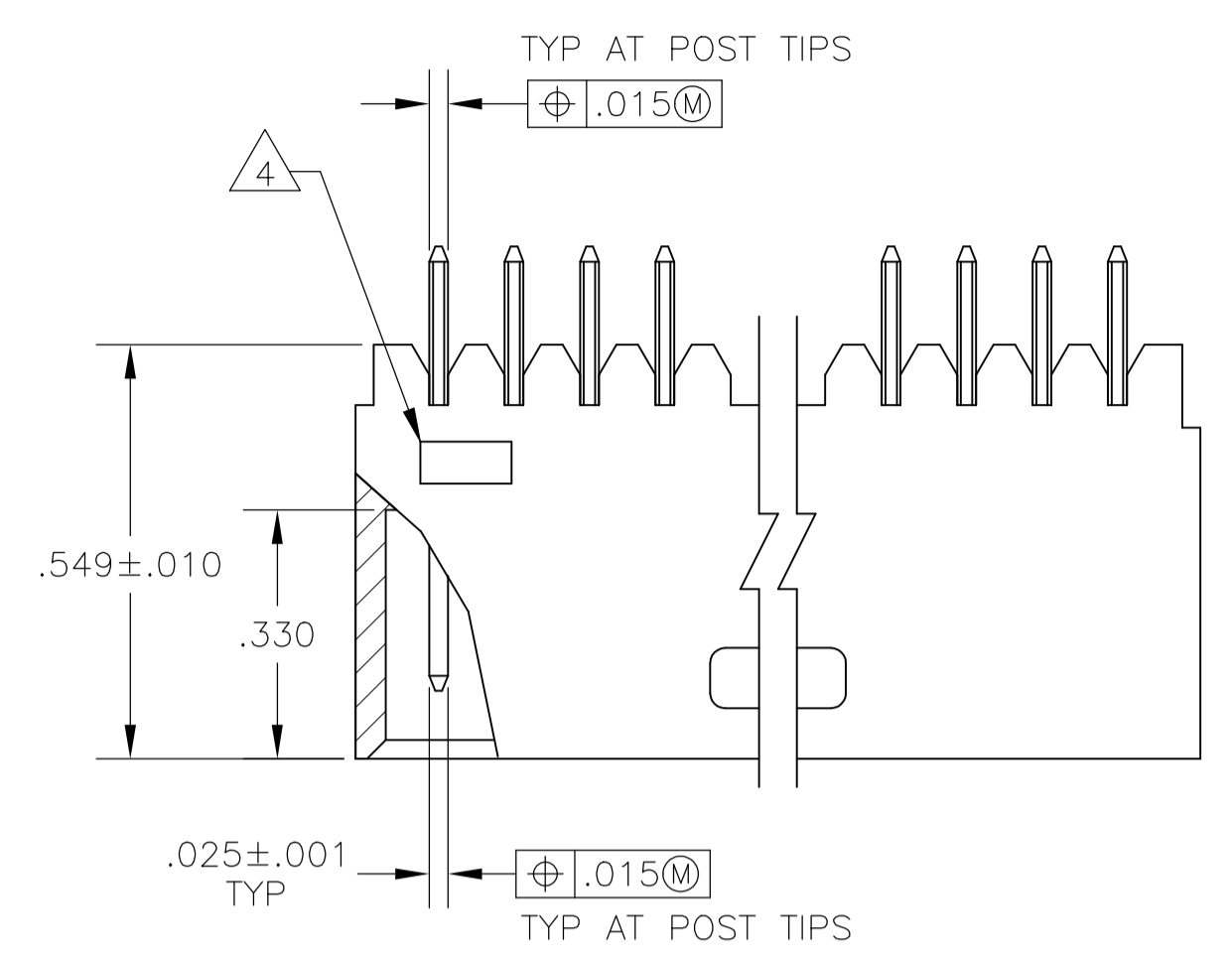
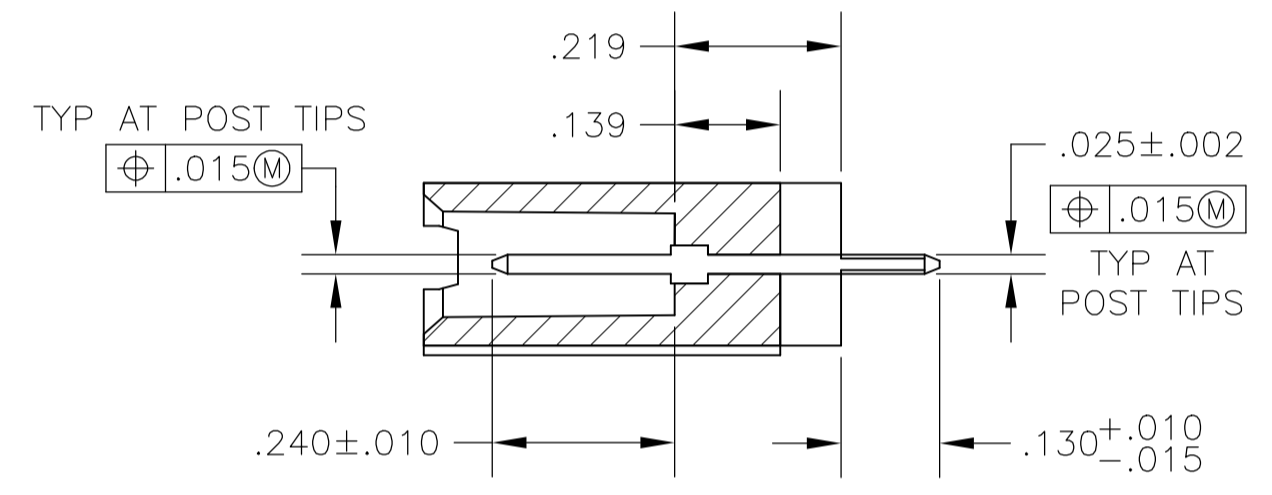
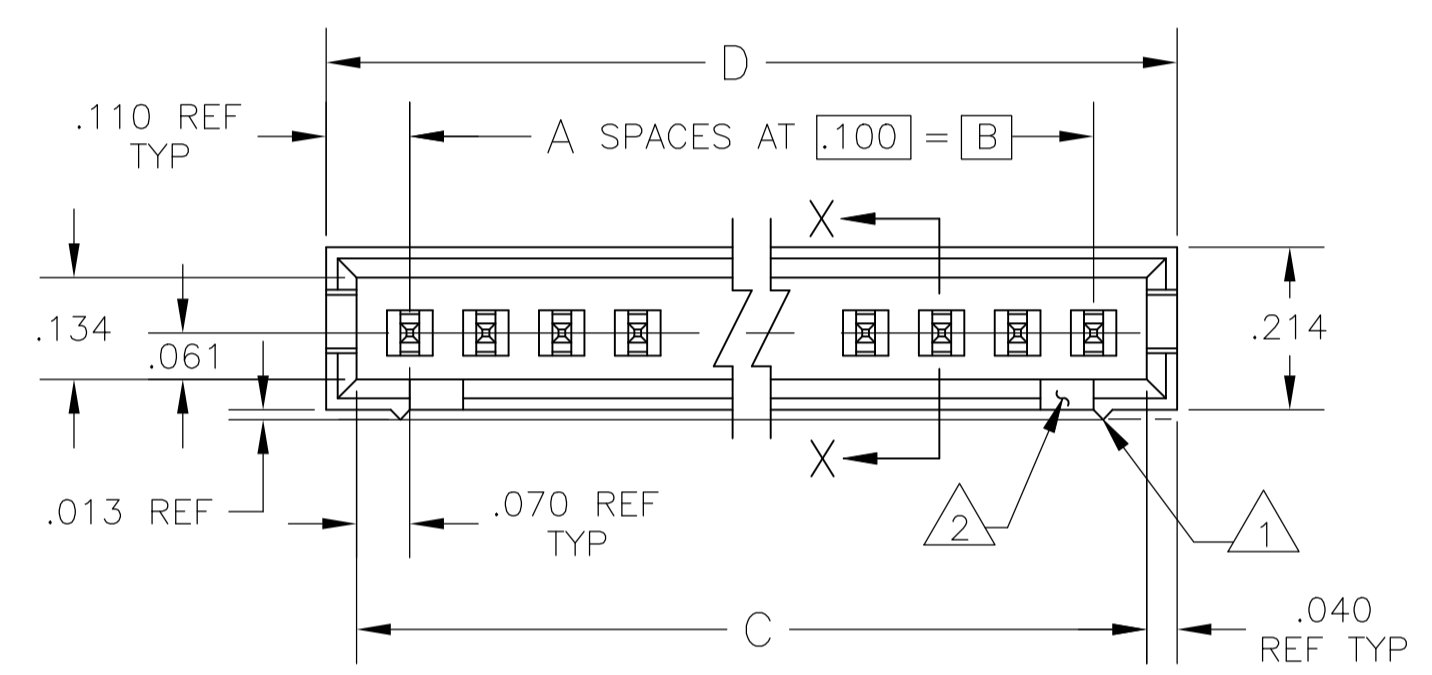


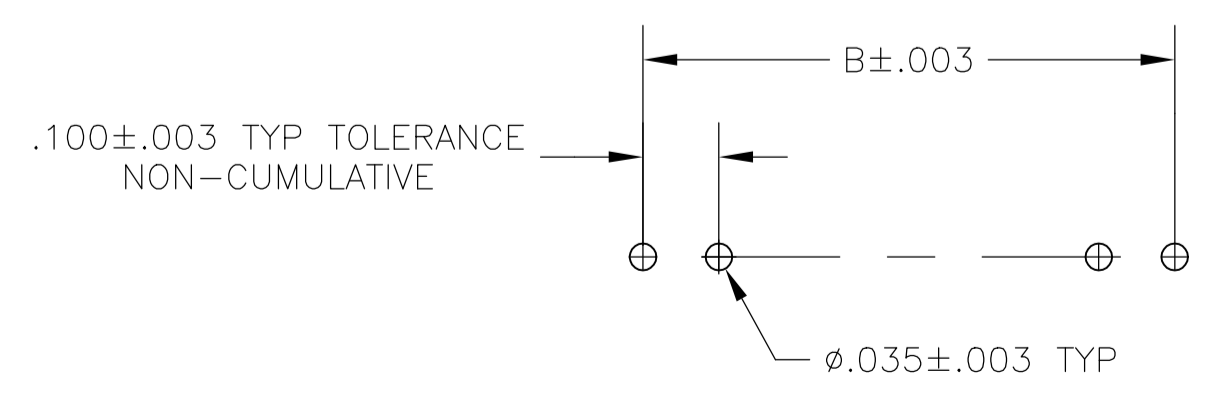
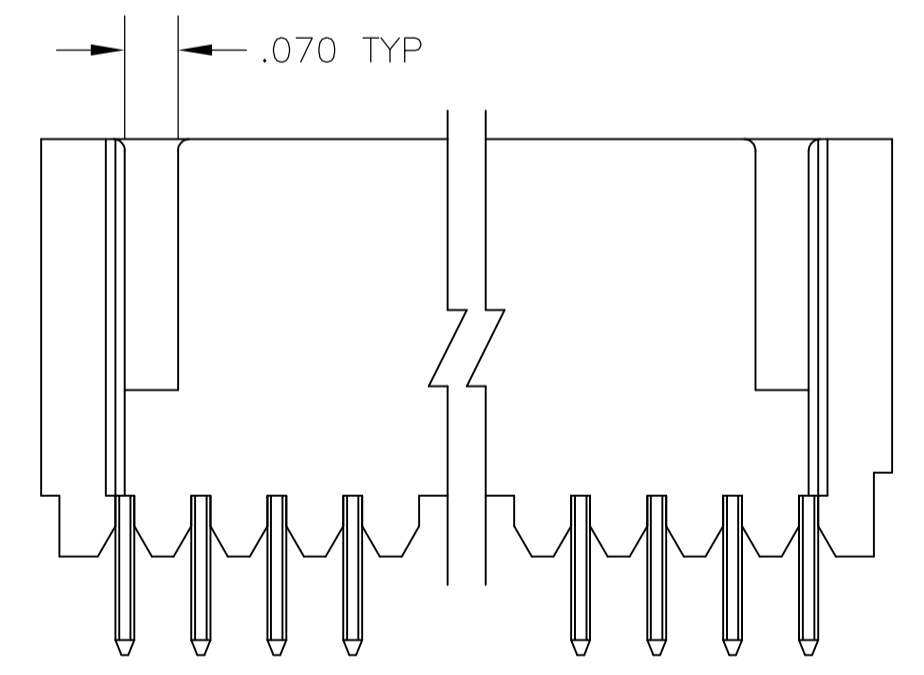
REVISIONS				
P	LTR	DESCRIPTION	DATE	APPD
V3		PART STATUS UPDATED IN PART LIST TABLE	15FEB2018	SD PS



- 1 STANDOFFS:  
 UP TO 9 POS-(2 REQD) ON THE OUTSIDE ENDS OF THE HOUSING.  
 10 TO 19 POS-(3 REQD) TWO ON THE OUTSIDE ENDS AND ONE CENTERED ON THE HOUSING.  
 19 POS AND ABOVE-(4 REQD) TWO ON THE OUTSIDE ENDS AND TWO SPACED EVENLY WITHIN THE REMAINING LENGTH OF THE HOUSING.
- 2 FOR 3 POS. ONLY, ONE SLOT (.215 WIDE).
- 3 INDICATED PARTS ARE PACKAGED IN "GANG-OF-TUBES".
- 4 RECESSED DATE CODE
- 5 .000100-.000200 BRIGHT TIN-LEAD OVER .000050 NICKEL.
- 6 .000100-.000200 BRIGHT TIN OVER .000050 NICKEL.
- 7 PRELIMINARY PART
- 8 .000100-.000200 MATTE TIN OVER .000050 NICKEL.
- 9 OBSOLETE PARTS: OBSOLETE CIS STREAMLINING PER D.RENAUD/D.SINISI



SECTION X-X



.100±.003 TYP TOLERANCE  
 NON-CUMULATIVE

FINISH	D	C	B	A	NO OF POS	ASSEMBLY PART NUMBER
8	2.620	2.540	2.400	24	25	7-103080-3
8	2.520	2.440	2.300	23	24	7-103080-2
8	2.420	2.340	2.200	22	23	7-103080-1
8	2.320	2.240	2.100	21	22	7-103080-0
8	2.220	2.140	2.000	20	21	6-103080-9
8	2.120	2.040	1.900	19	20	6-103080-8
8	2.020	1.940	1.800	18	19	6-103080-7
8	1.920	1.840	1.700	17	18	6-103080-6
8	1.820	1.740	1.600	16	17	6-103080-5
8	1.720	1.640	1.500	15	16	6-103080-4
8	1.620	1.540	1.400	14	15	6-103080-3
8	1.520	1.440	1.300	13	14	6-103080-2
8	1.420	1.340	1.200	12	13	6-103080-1
8	1.320	1.240	1.100	11	12	6-103080-0
8	1.220	1.140	1.000	10	11	5-103080-9
8	1.120	1.040	.900	9	10	5-103080-8
8	1.020	.940	.800	8	9	5-103080-7
8	.920	.840	.700	7	8	5-103080-6
8	.820	.740	.600	6	7	5-103080-5
8	.720	.640	.500	5	6	5-103080-4
8	.620	.540	.400	4	5	5-103080-3
8	.520	.440	.300	3	4	5-103080-2
8	.420	.340	.200	2	3	5-103080-1
7	1.020	.940	.800	8	9	4-103080-0
6	.520	.440	.300	3	4	3-103080-9
6	.420	.340	.200	2	3	3-103080-8
6	.520	.440	.300	3	4	3-103080-7
6	.620	.540	.400	4	5	3-103080-6
5	.620	.540	.400	4	5	3-103080-5
5	3.820	3.640	3.500	35	36	3-103080-4
5	3.720	3.540	3.400	34	35	3-103080-3
5	3.620	3.440	3.300	33	34	3-103080-2
5	3.420	3.340	3.200	32	33	3-103080-1
5	3.320	3.240	3.100	31	32	3-103080-0
5	3.220	3.140	3.000	30	31	2-103080-9
5	3.120	3.040	2.900	29	30	2-103080-8
5	3.020	2.940	2.800	28	29	2-103080-7
5	2.920	2.840	2.700	27	28	2-103080-6
5	2.820	2.740	2.600	26	27	2-103080-5
5	2.720	2.640	2.500	25	26	2-103080-4
5	2.620	2.540	2.400	24	25	2-103080-3
5	2.520	2.440	2.300	23	24	2-103080-2
5	2.420	2.340	2.200	22	23	2-103080-1
5	2.320	2.240	2.100	21	22	2-103080-0
5	2.220	2.140	2.000	20	21	1-103080-9
5	2.120	2.040	1.900	19	20	1-103080-8
5	2.020	1.940	1.800	18	19	1-103080-7
5	1.920	1.840	1.700	17	18	1-103080-6
5	1.820	1.740	1.600	16	17	1-103080-5
5	1.720	1.640	1.500	15	16	1-103080-4
5	1.620	1.540	1.400	14	15	1-103080-3
5	1.520	1.440	1.300	13	14	1-103080-2
5	1.420	1.340	1.200	12	13	1-103080-1
5	1.320	1.240	1.100	11	12	1-103080-0
5	1.220	1.140	1.000	10	11	1-103080-9
5	1.120	1.040	.900	9	10	1-103080-8
5	1.020	.940	.800	8	9	1-103080-7
5	.920	.840	.700	7	8	1-103080-6
5	.820	.740	.600	6	7	1-103080-5
5	.720	.640	.500	5	6	1-103080-4
5	.620	.540	.400	4	5	1-103080-3
5	.520	.440	.300	3	4	1-103080-2
5	.420	.340	.200	2	3	1-103080-1

THIS DRAWING IS A CONTROLLED DOCUMENT. DWN J. MARTINELLI 17AUG92  
 DIMENSIONS: INCHES TOLERANCES UNLESS OTHERWISE SPECIFIED: 0 PLC ± .005, 1 PLC ± .005, 2 PLC ± .005, 3 PLC ± .005, 4 PLC ± .005, ANGLES ± .005

MATERIAL: RETARDANT THERMOPLASTIC, COLOR-BLACK, POSTS-BRASS. FINISH: SEE TABLE. WEIGHT: -

APVD: H. PALEY 21AUG92. NAME: ASSEMBLY, MOD II, SINGLE ROW, .100 C/L, (4) SIDED SHROUD. PRODUCT SPEC: - APPLICATION SPEC: -

SCALE: 4:1. SHEET: 1 OF 1. REV: V3. CUSTOMER DRAWING.

STE TE Connectivity

## X-ON Electronics

Largest Supplier of Electrical and Electronic Components

*Click to view similar products for [Headers & Wire Housings](#) category:*

*Click to view products by [TE Connectivity](#) manufacturer:*

Other Similar products are found below :

[892-18-020-10-001101](#) [58102-G61-06LF](#) [582553-1](#) [0009485154](#) [009176003701906](#) [0050291907](#) [LY20-4P-DT1-P1E-BR](#) [02.125.8002.8](#)  
[609-3404](#) [61062-3](#) [61082-181009](#) [622-3653LF](#) [63453-116](#) [636-1030](#) [636-1427](#) [636-3427](#) [636-4007](#) [641938-9](#) [641991-4](#) [644827-2](#) [65817-](#)  
[010LF](#) [65817-015LF](#) [65863-015LF](#) [66207-023LF](#) [67095-007LF](#) [67601157](#) [68645-018](#) [68648-049](#) [70.362.1628.0](#) [70-4210](#) [70-4226B](#) [70-](#)  
[4853B](#) [707-5020](#) [707-5028](#) [71.350.2428.0](#) [71918-208LF](#) [71961-016LF](#) [733-134](#) [733-162](#) [754199-000](#) [760-3052](#) [79531-3000](#) [FCN-](#)  
[360C032-B](#) [FCN-367T-T012/H](#) [FCN-723D010/2](#) [80.063.4001.1](#) [800-90-010-10-002000](#) [801-43-002-10-013000](#) [801-43-006-10-002000](#)  
[801-93-011-10-001000](#)