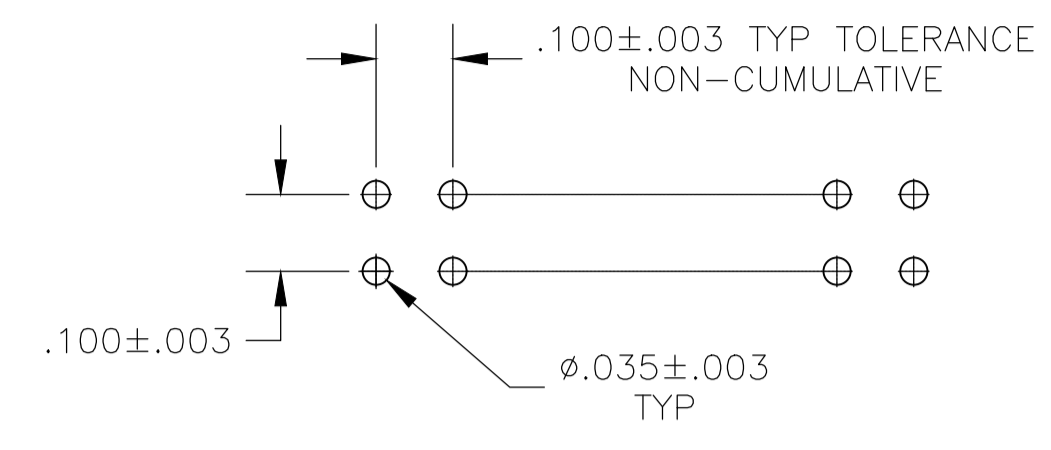
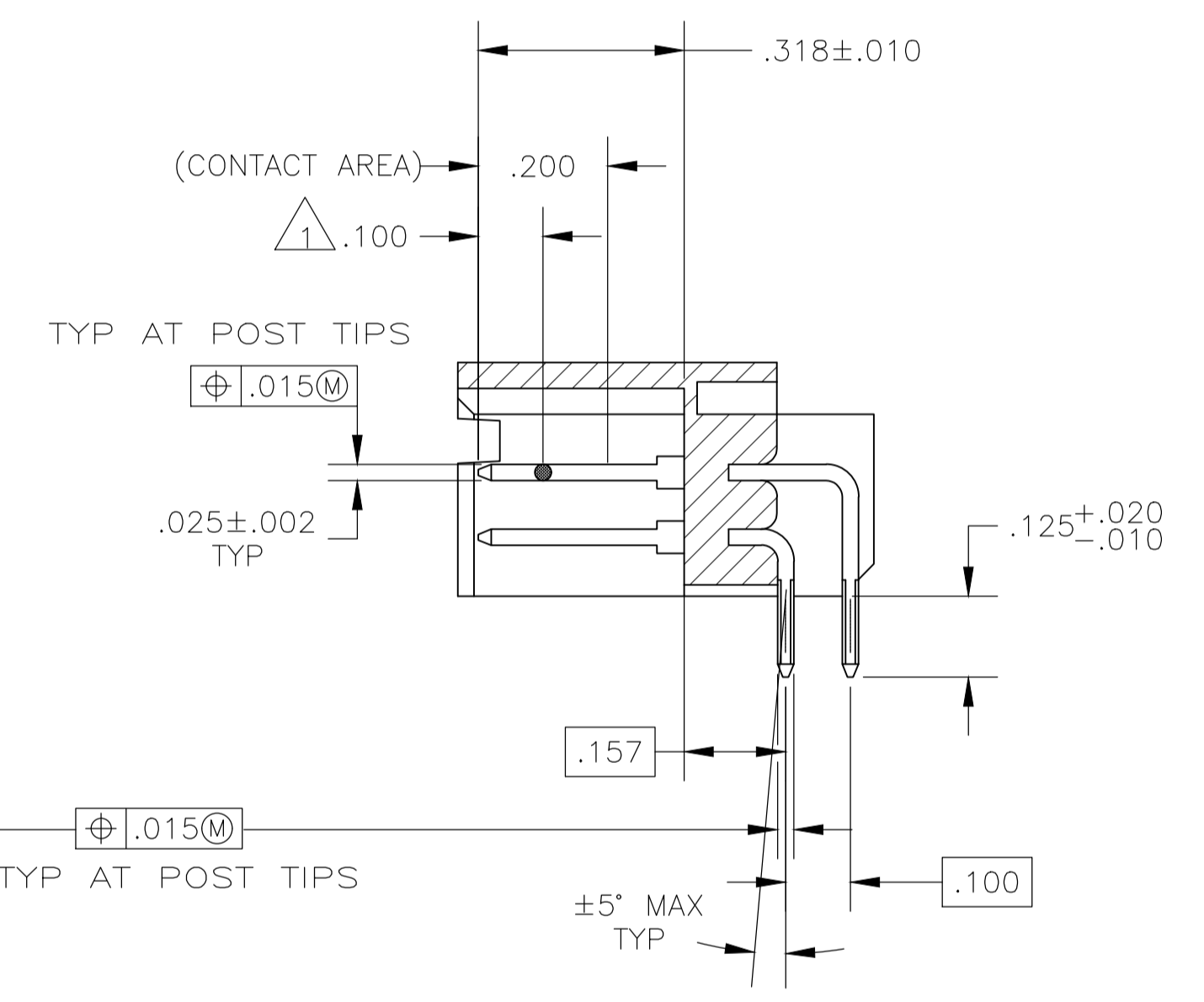
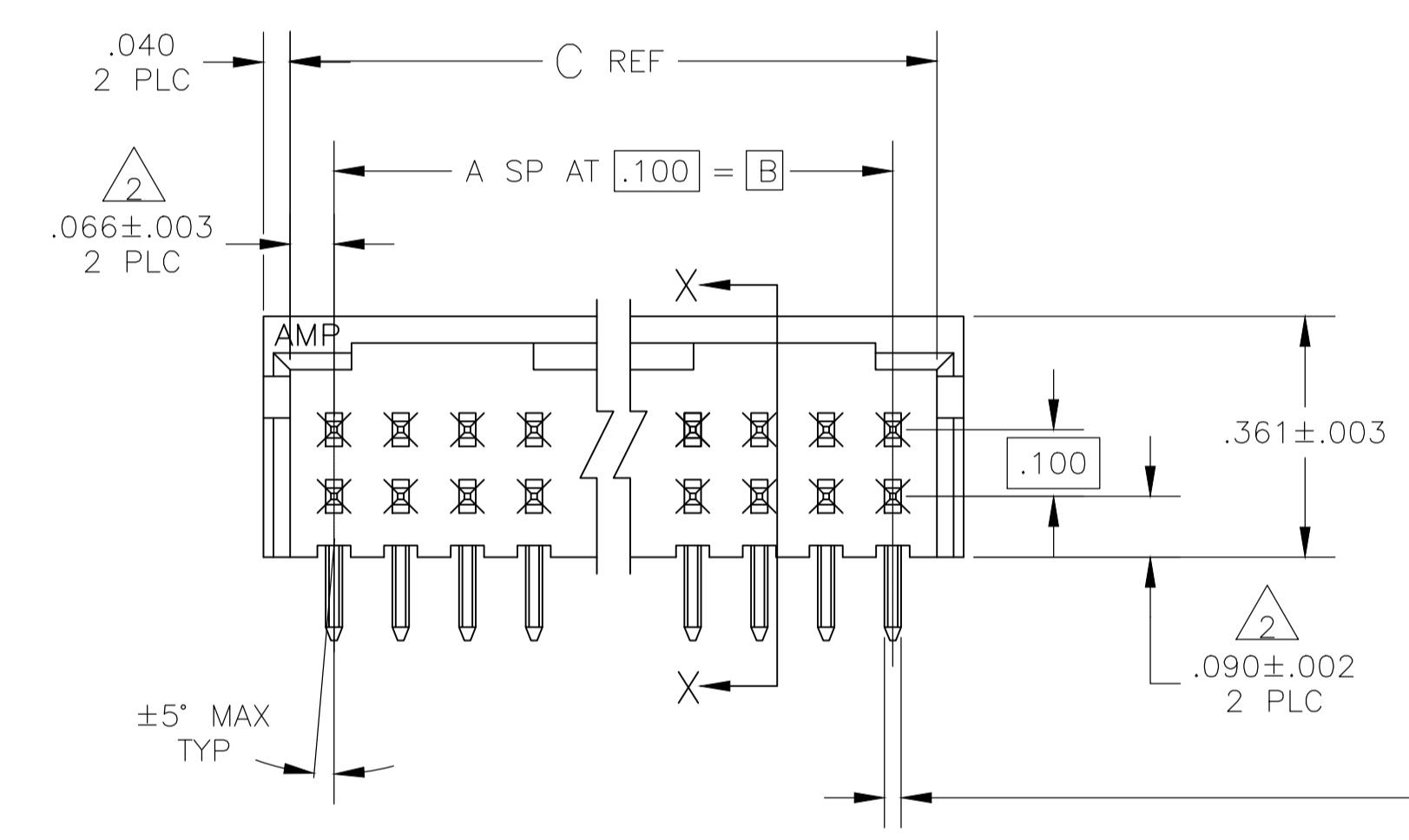
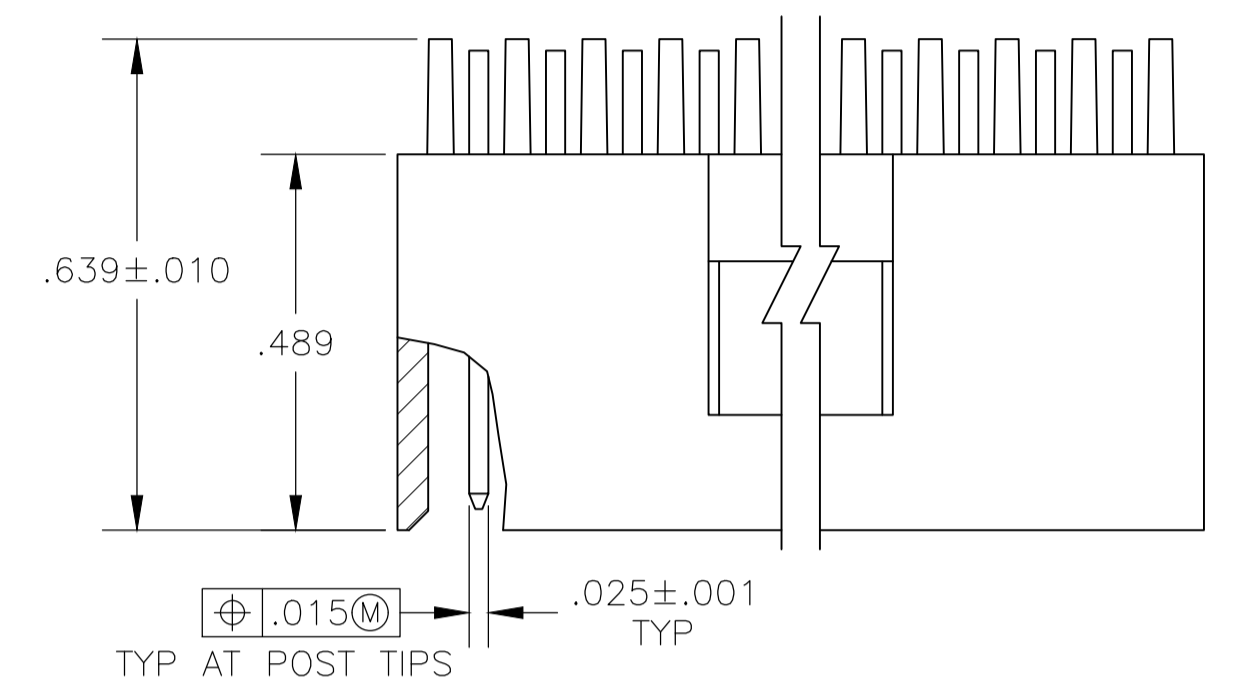


REVISIONS					
P	LTR	DESCRIPTION	DATE	DMN	APVD
H4		PART STATUS UPDATED IN PART LIST TABLE	16APR2018	SD	PS



RECOMMENDED HOLE LAYOUT



SECTION X-X

- 1 POINT OF MEASUREMENT FOR PLATING THICKNESS.
- 2 THE NOTED DIMENSION APPLIES AT THE INTERSECTION OF THE POST AND HOUSING
- 3 .000030 GOLD IN CONTACT AREA, .000100-.000200 MATTE TIN-LEAD ON SOLDER TAIL, ALL OVER .000050 NICKEL
- 4 .000030 GOLD IN CONTACT AREA, .000100-.000200 MATTE TIN ON SOLDER TAIL, ALL OVER .000050 NICKEL
- 5 OBSOLETE PARTS: OBSOLETE CIS STREAMLINING PER D.RENAUD/D.SINISI

REV	DESCRIPTION	DATE	DMN	APVD		
4		3.032	2.900	29	60	7-103164-8
4		2.632	2.500	25	52	7-103164-4
4		2.532	2.400	24	50	7-103164-3
4		2.032	1.900	19	40	6-103164-8
4		1.732	1.600	16	34	6-103164-5
5	OBSOLETE	1.532	1.400	14	30	6-103164-3
4		1.332	1.200	12	26	6-103164-1
5	OBSOLETE	1.232	1.100	11	24	6-103164-0
4		1.032	.900	9	20	5-103164-8
4		.932	.800	8	18	5-103164-7
4		.832	.700	7	16	5-103164-6
4		.732	.600	6	14	5-103164-5
4		.632	.500	5	12	5-103164-4
4		.532	.400	4	10	5-103164-3
4		.432	.300	3	8	5-103164-2
4		.332	.200	2	6	5-103164-1
3		3.732	3.600	36	74	3-103164-5
3		3.632	3.500	35	72	3-103164-4
3		3.532	3.400	34	70	3-103164-3
3		3.432	3.300	33	68	3-103164-2
3		3.332	3.200	32	66	3-103164-1
5	OBSOLETE	3.232	3.100	31	64	3-103164-0
3		3.132	3.000	30	62	2-103164-9
3		3.032	2.900	29	60	2-103164-8
3		2.932	2.800	28	58	2-103164-7
3		2.832	2.700	27	56	2-103164-6
3		2.732	2.600	26	54	2-103164-5
3		2.632	2.500	25	52	2-103164-4
3		2.532	2.400	24	50	2-103164-3
3		2.432	2.300	23	48	2-103164-2
3		2.332	2.200	22	46	2-103164-1
3		2.232	2.100	21	44	2-103164-0
3		2.132	2.000	20	42	1-103164-9
3		2.032	1.900	19	40	1-103164-8
3		1.932	1.800	18	38	1-103164-7
3		1.832	1.700	17	36	1-103164-6
3		1.732	1.600	16	34	1-103164-5
3		1.632	1.500	15	32	1-103164-4
5	OBSOLETE	1.532	1.400	14	30	1-103164-3
3		1.432	1.300	13	28	1-103164-2
3		1.332	1.200	12	26	1-103164-1
3		1.232	1.100	11	24	1-103164-0
3		1.132	1.000	10	22	103164-9
3		1.032	.900	9	20	103164-8
3		.932	.800	8	18	103164-7
3		.832	.700	7	16	103164-6
3		.732	.600	6	14	103164-5
3		.632	.500	5	12	103164-4
5	OBSOLETE	.532	.400	4	10	103164-3
3		.432	.300	3	8	103164-2
3		.332	.200	2	6	103164-1

SUPERSEDED BY 5-103164-7

PLATING	C	B	A	NO OF POSN	PART NUMBER

THIS DRAWING IS A CONTROLLED DOCUMENT.

DIMENSIONS: INCHES

TOLERANCES UNLESS OTHERWISE SPECIFIED:

0 PLC	± .005
1 PLC	± .005
2 PLC	± .005
3 PLC	± .005
4 PLC	± .005
ANGLES	± .005

MATERIAL: HOUSING: PHOSPHOR BRONZE; PLATING: 103164-8; FINISH: SEE TABLE

WEIGHT: --

APVD: J. KNITTLE

NAME: HEADER ASSY, MOD II, DBL ROW, .100X.100 C/L, RIGHT ANGLE, (3) SIDED SHROUD

SIZE: A1

SCALE: 4:1

SHEET 1 OF 1

REV H4

X-ON Electronics

Largest Supplier of Electrical and Electronic Components

Click to view similar products for [Headers & Wire Housings](#) category:

Click to view products by [TE Connectivity](#) manufacturer:

Other Similar products are found below :

[95000-104TRLF](#) [10135584-644402LF](#) [DF62W-EP2022PCA](#) [95000-106TRLF](#) [DF62W-2022SCA](#) [DF62W-EP2022PC](#) [2203348](#) [DF62W-2022SC](#) [1084018](#) [1029039](#) [1084017](#) [802-10-012-10-002000](#) [1112640](#) [1112639](#) [000-34000](#) [0009482033](#) [0009507031](#) [57102-S06-03LF](#) [57202-S52-04LF](#) [PCN6-15S-2.5E](#) [0039019024](#) [58102-G61-06LF](#) [582553-1](#) [0009508121](#) [0050291907](#) [018731A](#) [LY20-4P-DT1-P1E-BR](#) [02.125.8002.8](#) [60101931](#) [60598-1 \(Cut Strip\)](#) [M1625-3R/100](#) [61062-3](#) [61082-181009](#) [636-1427](#) [638009-1](#) [641938-9](#) [641991-4](#) [644168-1](#) [647662-1](#) [65039-019ELF](#) [65817-002LF](#) [65817-015LF](#) [65863-015LF](#) [66207-023LF](#) [67016-026LF](#) [67046-001LF](#) [67095-007LF](#) [68002-116](#) [68016-236H](#) [68648-049](#)