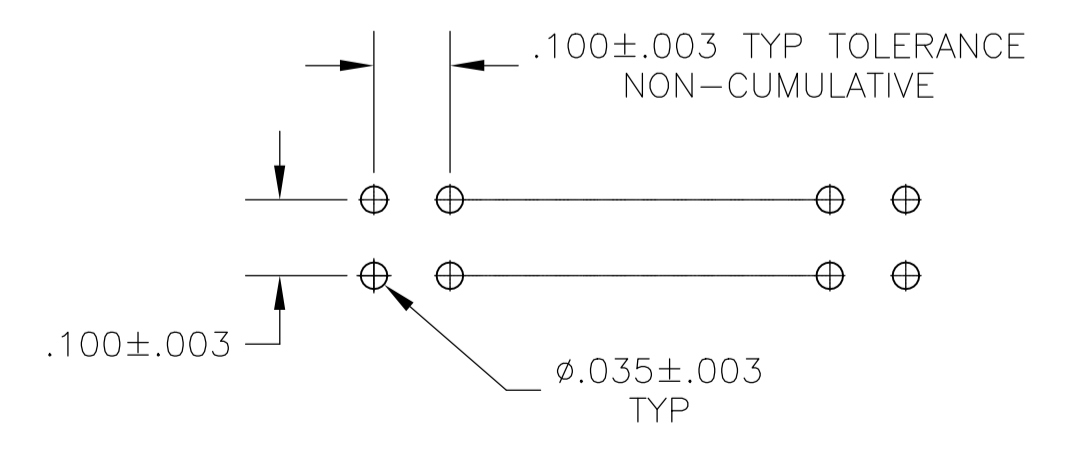
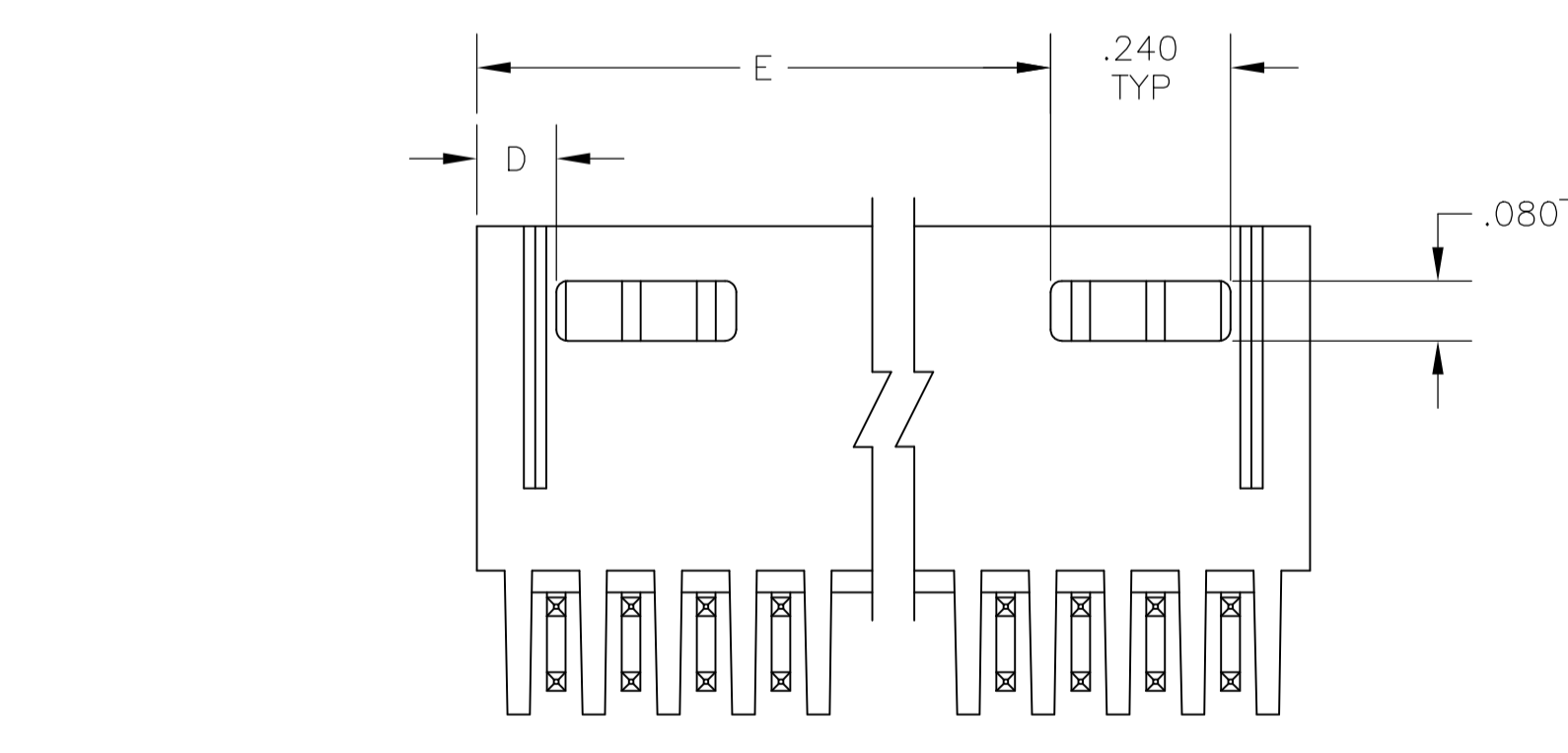
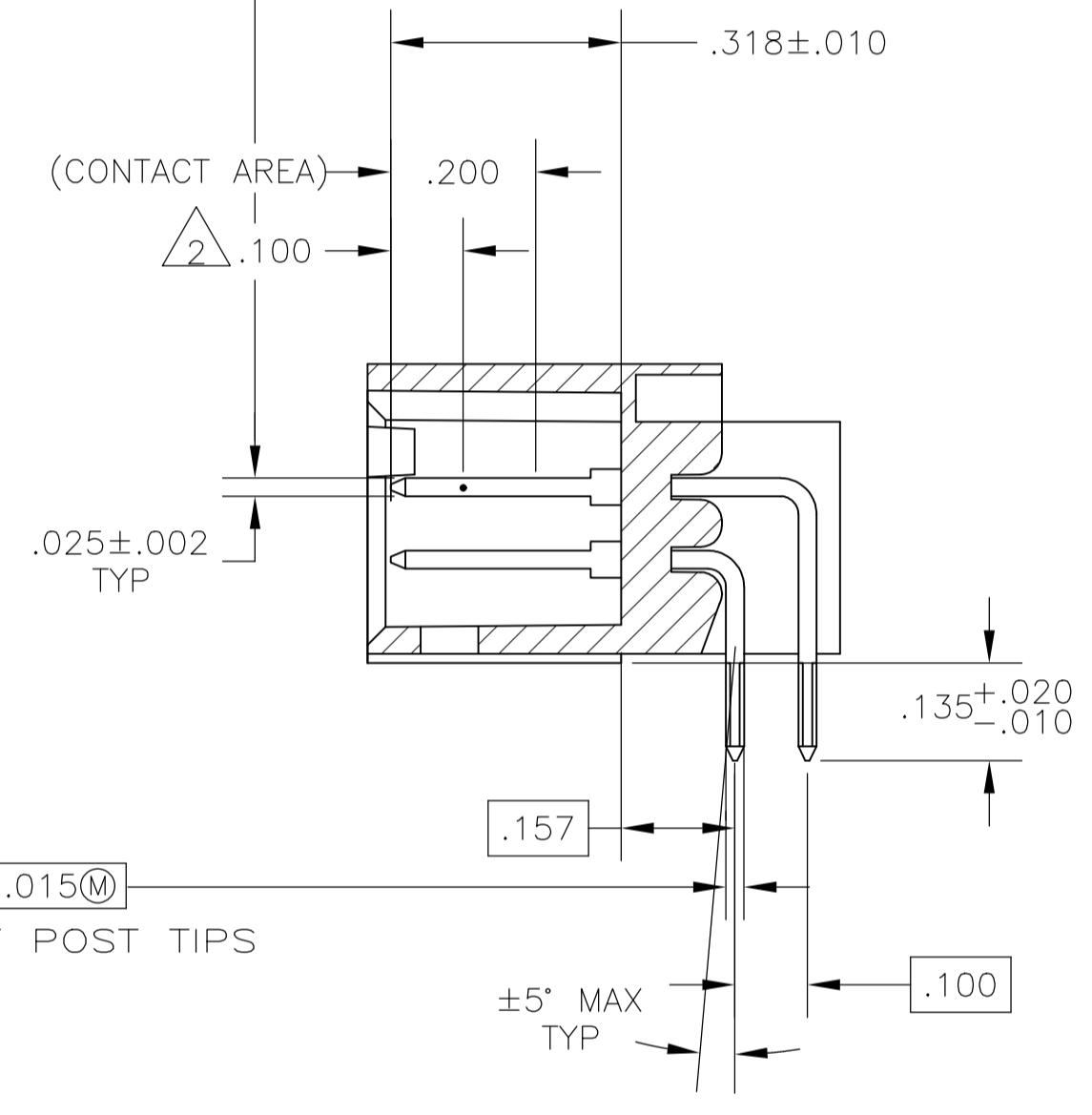
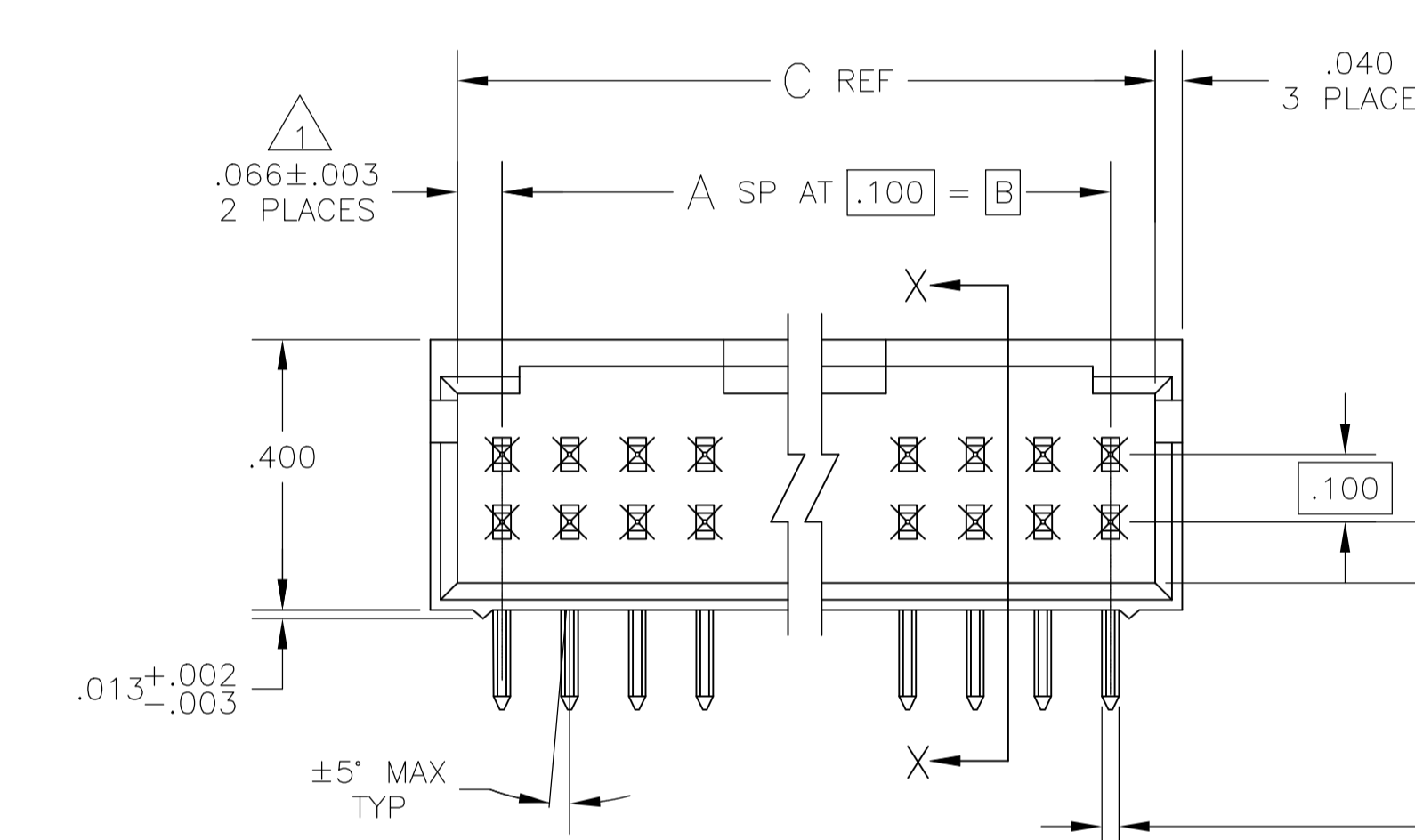
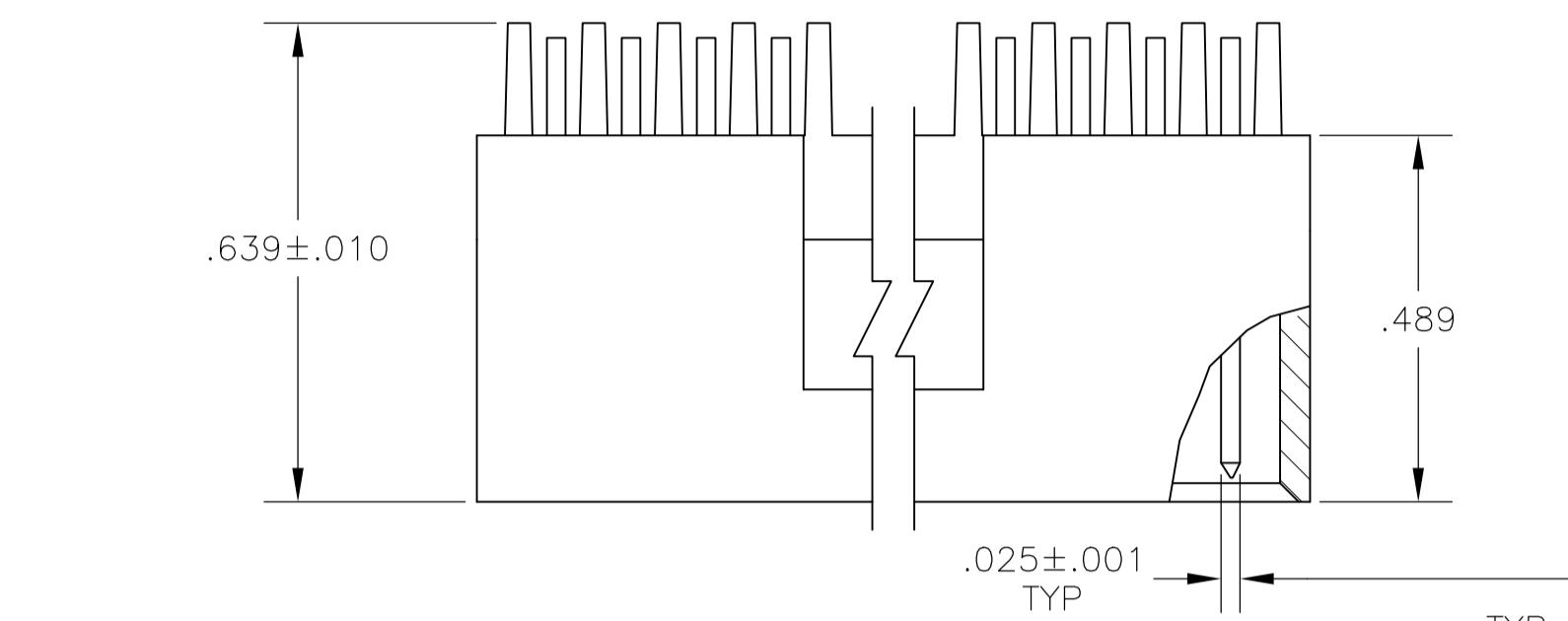


REVISIONS				
P	LTR	DESCRIPTION	DATE	APPD
K3		PART STATUS UPDATED IN PART LIST TABLE	19FEB2018	SD PS

- 1 THE NOTED DIMENSION APPLIES AT THE INTERSECTION OF THE POST AND HOUSING
- 2 POINT OF MEASUREMENT FOR PLATING THICKNESS.
- 3 PACKAGED IN SINGLE TUBES
- 4 POSTS: .000030 GOLD IN CONTACT AREA .000100-.000200 MATTE TIN LEAD ON SOLDER TAIL, ALL OVER .000050 NICKEL
- 5 POSTS: .000030 GOLD IN CONTACT AREA .000100-.000200 MATTE TIN ON SOLDER TAIL, ALL OVER .000050 NICKEL
- 6 OBSOLETE PARTS: OBSOLETE CIS STREAMLINING PER D.RENAUD/D.SINISI



RECOMMENDED HOLE LAYOUT

PLATING	E	D	C	B	A	NO OF POSN	ASSEMBLY PART NUMBER
6	3	6	6	6	6	6	8-103166-6
6	3	6	6	6	6	6	8-103166-5
6	3	6	6	6	6	6	8-103166-4
6	3	6	6	6	6	6	8-103166-3
6	3	6	6	6	6	6	8-103166-2
6	3	6	6	6	6	6	8-103166-1
6	3	6	6	6	6	6	8-103166-0
6	3	6	6	6	6	6	7-103166-9
6	3	6	6	6	6	6	7-103166-8
6	3	6	6	6	6	6	7-103166-7
6	3	6	6	6	6	6	7-103166-6
6	3	6	6	6	6	6	7-103166-5
6	3	6	6	6	6	6	7-103166-4
6	3	6	6	6	6	6	7-103166-3
6	3	6	6	6	6	6	7-103166-2
6	3	6	6	6	6	6	7-103166-1
6	3	6	6	6	6	6	7-103166-0
6	3	6	6	6	6	6	6-103166-9
6	3	6	6	6	6	6	6-103166-8
6	3	6	6	6	6	6	6-103166-7
6	3	6	6	6	6	6	6-103166-6
6	3	6	6	6	6	6	6-103166-5
6	3	6	6	6	6	6	6-103166-4
6	3	6	6	6	6	6	6-103166-3
6	3	6	6	6	6	6	6-103166-2
6	3	6	6	6	6	6	6-103166-1
6	3	6	6	6	6	6	6-103166-0
6	3	6	6	6	6	6	5-103166-9
6	3	6	6	6	6	6	5-103166-8
6	3	6	6	6	6	6	5-103166-7
6	3	6	6	6	6	6	5-103166-6
6	3	6	6	6	6	6	5-103166-5
6	3	6	6	6	6	6	5-103166-4
6	3	6	6	6	6	6	5-103166-3
6	3	6	6	6	6	6	5-103166-2
6	3	6	6	6	6	6	5-103166-1
6	3	6	6	6	6	6	5-103166-0
6	3	6	6	6	6	6	3-103166-6
6	3	6	6	6	6	6	3-103166-5
6	3	6	6	6	6	6	3-103166-4
6	3	6	6	6	6	6	3-103166-3
6	3	6	6	6	6	6	3-103166-2
6	3	6	6	6	6	6	3-103166-1
6	3	6	6	6	6	6	3-103166-0
6	3	6	6	6	6	6	2-103166-9
6	3	6	6	6	6	6	2-103166-8
6	3	6	6	6	6	6	2-103166-7
6	3	6	6	6	6	6	2-103166-6
6	3	6	6	6	6	6	2-103166-5
6	3	6	6	6	6	6	2-103166-4
6	3	6	6	6	6	6	2-103166-3
6	3	6	6	6	6	6	2-103166-2
6	3	6	6	6	6	6	2-103166-1
6	3	6	6	6	6	6	2-103166-0
6	3	6	6	6	6	6	1-103166-9
6	3	6	6	6	6	6	1-103166-8
6	3	6	6	6	6	6	1-103166-7
6	3	6	6	6	6	6	1-103166-6
6	3	6	6	6	6	6	1-103166-5
6	3	6	6	6	6	6	1-103166-4
6	3	6	6	6	6	6	1-103166-3
6	3	6	6	6	6	6	1-103166-2
6	3	6	6	6	6	6	1-103166-1
6	3	6	6	6	6	6	1-103166-0
6	3	6	6	6	6	6	103166-9
6	3	6	6	6	6	6	103166-8
6	3	6	6	6	6	6	103166-7
6	3	6	6	6	6	6	103166-6
6	3	6	6	6	6	6	103166-5
6	3	6	6	6	6	6	103166-4
6	3	6	6	6	6	6	103166-3
6	3	6	6	6	6	6	103166-2
6	3	6	6	6	6	6	103166-1

THIS DRAWING IS A CONTROLLED DOCUMENT.

DIMENSIONS:	TOLERANCES UNLESS OTHERWISE SPECIFIED:	DRAWN: H MOLL 27AUG87	DATE: 27AUG87
INCHES:	0 PLC ± .005	CHK: R FEIDT 28AUG87	DATE: 28AUG87
	1 PLC ± .005	APVD: R FLICKER 29AUG87	DATE: 29AUG87
	2 PLC ± .005	NAME:	
	3 PLC ± .005	PRODUCT SPEC:	
	4 PLC ± .005	APPLICATION SPEC:	
	ANGLES ± .005	SIZE:	
		CAGE CODE:	
		DRAWING NO:	
		RESTRICTED TO:	
MATERIAL: HOUSING: PLATE RETARDANT THERMOPLASTIC; COLOR: BLACK; POSTS: PHOS BRONZE	FINISH: SEE TABLE	WEIGHT:	
		CUSTOMER DRAWING:	

STE TE Connectivity

HDR ASSY, MOD II, SHROUDED, 4 SIDES, DBL ROW, .100X.100 WITH .025 SQ POSTS

A1 00779 C=103166

SCALE: 4:1 SHEET 1 OF 1 REV: K3

## X-ON Electronics

Largest Supplier of Electrical and Electronic Components

*Click to view similar products for [Headers & Wire Housings](#) category:*

*Click to view products by [TE Connectivity](#) manufacturer:*

Other Similar products are found below :

[892-18-020-10-001101](#) [58102-G61-06LF](#) [582553-1](#) [0009485154](#) [009176003701906](#) [0050291907](#) [LY20-4P-DT1-P1E-BR](#) [02.125.8002.8](#)  
[609-3404](#) [61062-3](#) [61082-181009](#) [622-3653LF](#) [63453-116](#) [636-1030](#) [636-1427](#) [636-3427](#) [636-4007](#) [641938-9](#) [641991-4](#) [644827-2](#) [65817-](#)  
[010LF](#) [65817-015LF](#) [65863-015LF](#) [66207-023LF](#) [67095-007LF](#) [67601157](#) [68645-018](#) [68648-049](#) [70.362.1628.0](#) [70-4210](#) [70-4226B](#) [70-](#)  
[4853B](#) [707-5020](#) [707-5028](#) [71.350.2428.0](#) [71918-208LF](#) [71961-016LF](#) [733-134](#) [733-162](#) [754199-000](#) [760-3052](#) [787-8014-00](#) [79531-3000](#)  
[FCN-360C032-B](#) [FCN-367T-T012/H](#) [FCN-723D010/2](#) [80.063.4001.1](#) [800-90-001-10-001000](#) [800-90-010-10-002000](#) [801-43-002-10-013000](#)