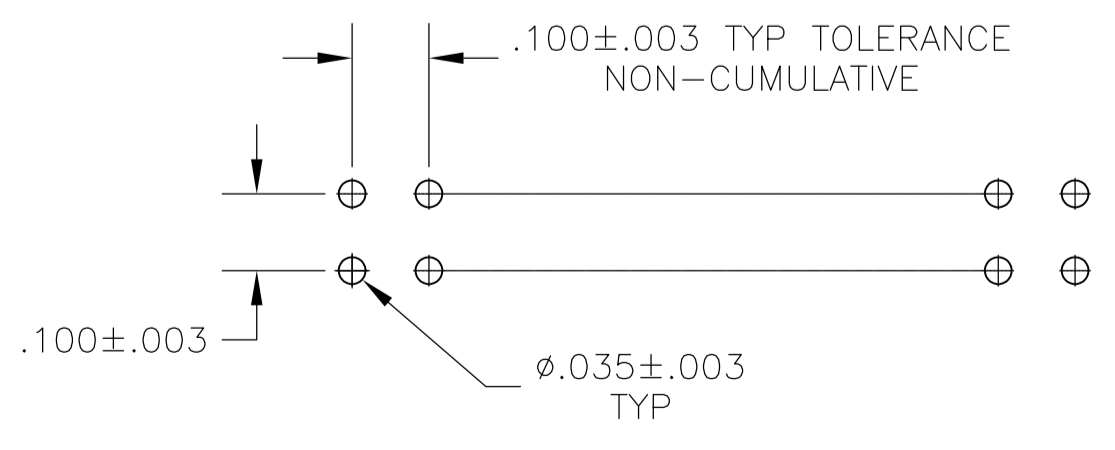
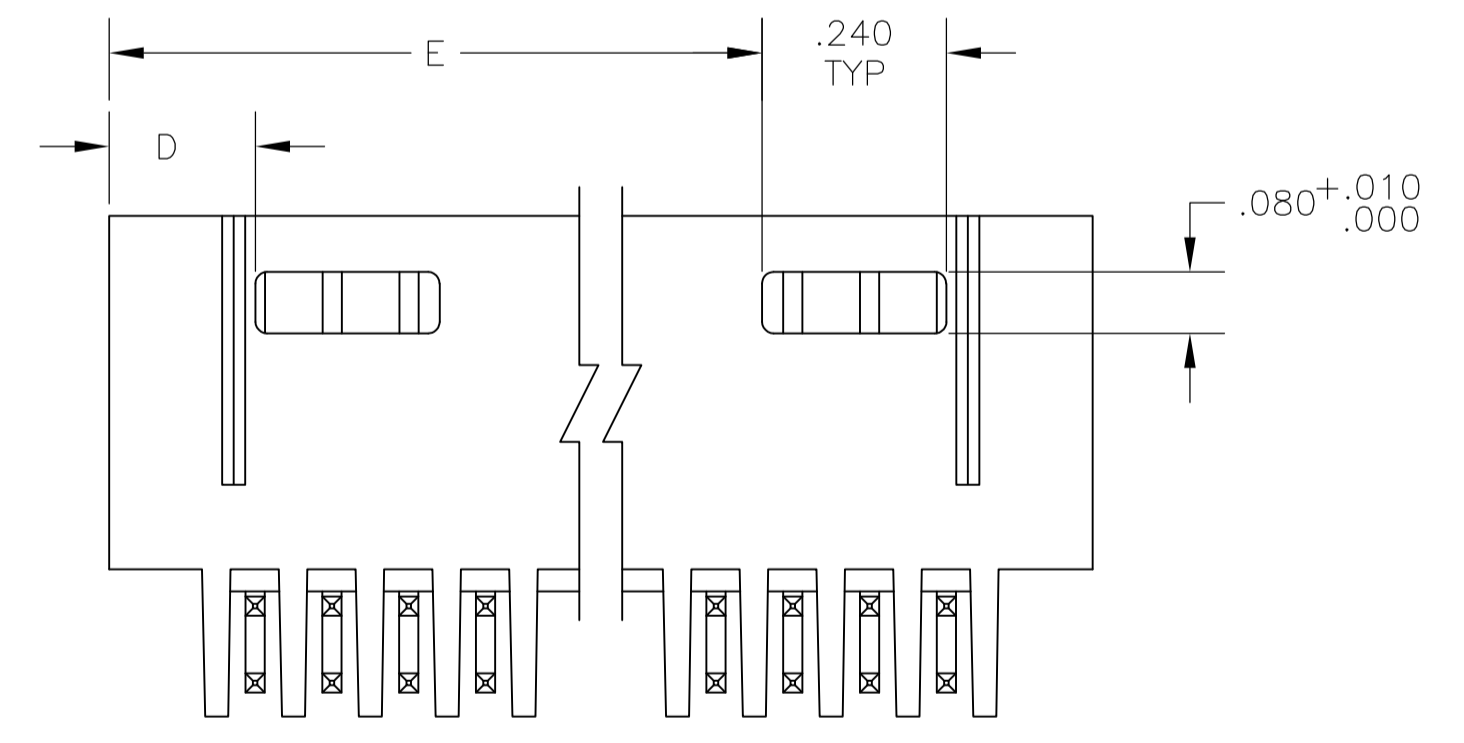
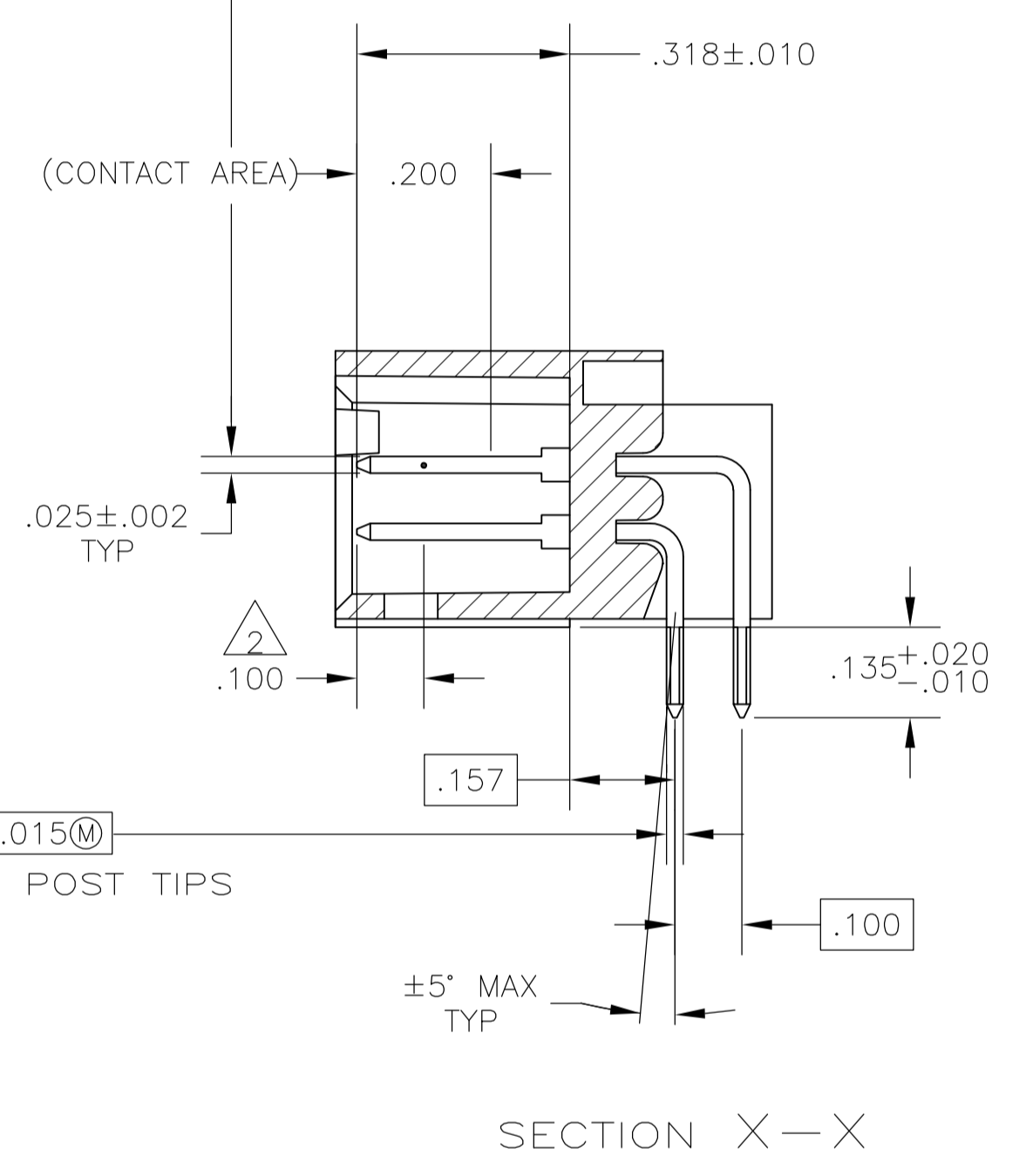
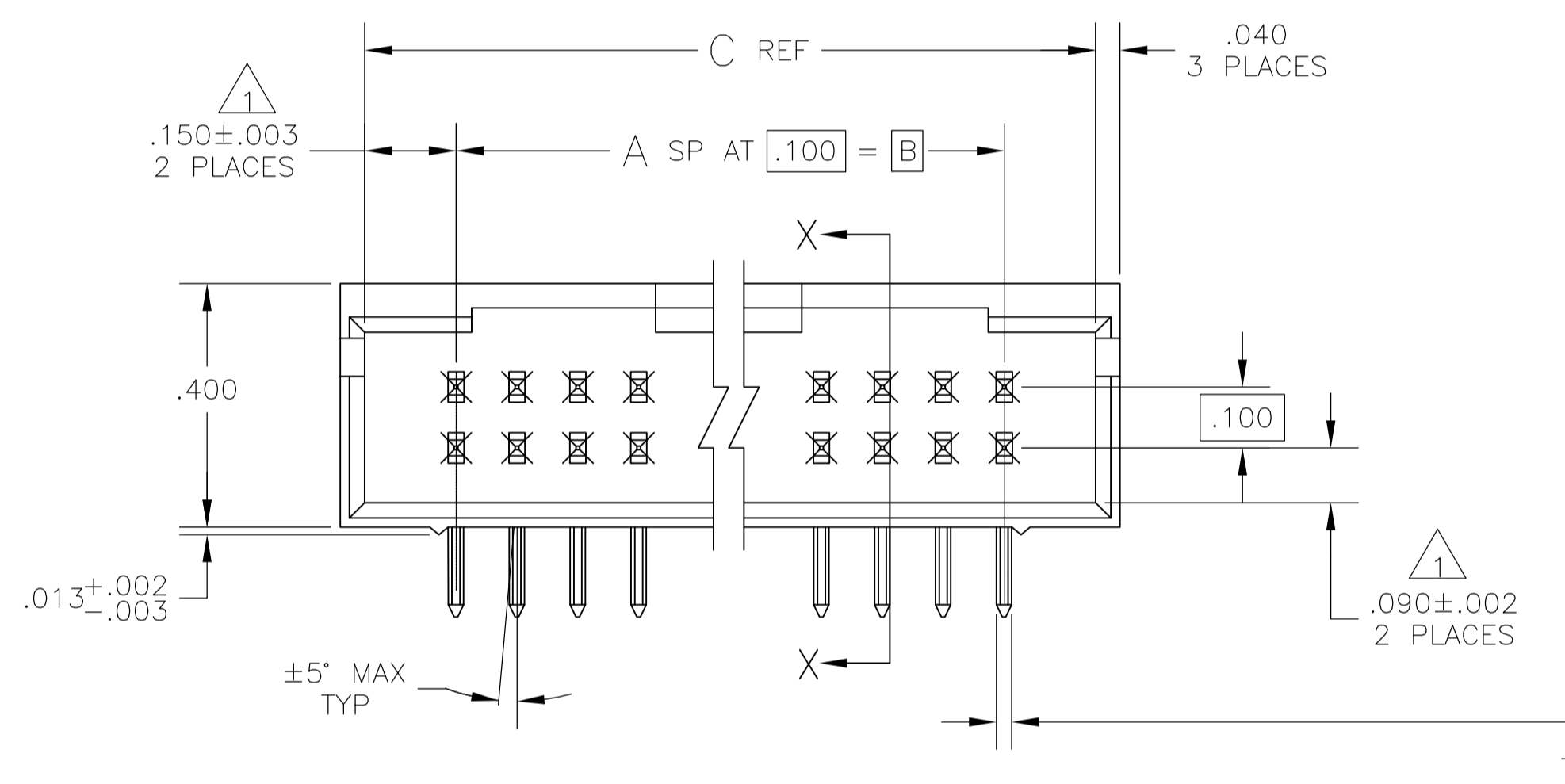
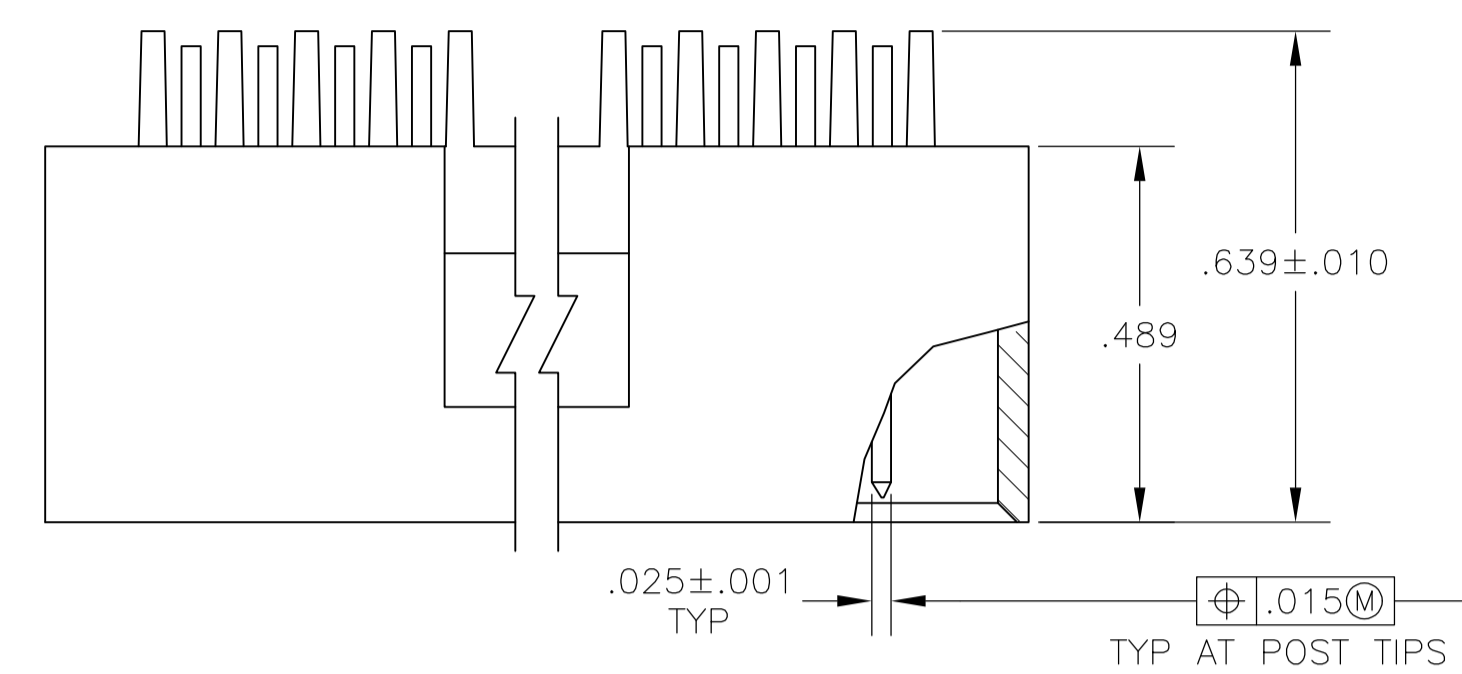


- △ THE NOTED DIMENSION APPLIES AT THE INTERSECTION OF THE POST AND HOUSING
- △ POINT OF MEASUREMENT FOR PLATING THICKNESS.
- △ POSTS: .000030 GOLD IN CONTACT AREA .000100-.000200 MATTE TIN LEAD ON SOLDER TAIL, ALL OVER .000050 NICKEL
- △ POSTS: .000030 GOLD IN CONTACT AREA .000100-.000200 MATTE TIN ON SOLDER TAIL, ALL OVER .000050 NICKEL
- △ OBSOLETE PARTS: OBSOLETE CIS STREAMLINING PER D.RENAUD/D.SINISI



RECOMMENDED HOLE LAYOUT

REV	DATE	BY	APPV	DESCRIPTION	DATE	BY	APPV		
△ OBSOLETE	△	△	3.490	.190	3.800	3.500	35	72	8-103167-3
△ OBSOLETE	△	△	3.390	.190	3.700	3.400	34	70	8-103167-2
△ OBSOLETE	△	△	3.290	.190	3.600	3.300	33	68	8-103167-1
△ OBSOLETE	△	△	3.190	.190	3.500	3.200	32	66	8-103167-0
△ OBSOLETE	△	△	3.090	.190	3.400	3.100	31	64	7-103167-9
△ OBSOLETE	△	△	2.990	.190	3.300	3.000	30	62	7-103167-8
△ OBSOLETE	△	△	2.890	.190	3.200	2.900	29	60	7-103167-7
△ OBSOLETE	△	△	2.790	.190	3.100	2.800	28	58	7-103167-6
△ OBSOLETE	△	△	2.690	.190	3.000	2.700	27	56	7-103167-5
△ OBSOLETE	△	△	2.590	.190	2.900	2.600	26	54	7-103167-4
△ OBSOLETE	△	△	2.490	.190	2.800	2.500	25	52	7-103167-3
△ OBSOLETE	△	△	2.390	.190	2.700	2.400	24	50	7-103167-2
△ OBSOLETE	△	△	2.290	.190	2.600	2.300	23	48	7-103167-1
△ OBSOLETE	△	△	2.190	.190	2.500	2.200	22	46	7-103167-0
△ OBSOLETE	△	△	2.090	.190	2.400	2.100	21	44	6-103167-9
△ OBSOLETE	△	△	1.990	.190	2.300	2.000	20	42	6-103167-8
△ OBSOLETE	△	△	1.890	.190	2.200	1.900	19	40	6-103167-7
△ OBSOLETE	△	△	1.790	.190	2.100	1.800	18	38	6-103167-6
△ OBSOLETE	△	△	1.690	.190	2.000	1.700	17	36	6-103167-5
△ OBSOLETE	△	△	1.590	.190	1.900	1.600	16	34	6-103167-4
△ OBSOLETE	△	△	1.490	.190	1.800	1.500	15	32	6-103167-3
△ OBSOLETE	△	△	1.390	.190	1.700	1.400	14	30	6-103167-2
△ OBSOLETE	△	△	1.290	.190	1.600	1.300	13	28	6-103167-1
△	△	△	1.190	.190	1.500	1.200	12	26	6-103167-0
△	△	△	1.090	.190	1.400	1.100	11	24	5-103167-9
△	△	△	.990	.190	1.300	1.000	10	22	5-103167-8
△	△	△	.890	.190	1.200	.900	9	20	5-103167-7
△	△	△	.790	.190	1.100	.800	8	18	5-103167-6
△	△	△	.690	.190	1.000	.700	7	16	5-103167-5
△	△	△	.590	.190	.900	.600	6	14	5-103167-4
△	△	△	.490	.190	.800	.500	5	12	5-103167-3
△	△	△	.390	.190	.700	.400	4	10	5-103167-2
△	△	△	.290	.190	.600	.300	3	8	5-103167-1
△ OBSOLETE	△	△	3.490	.190	3.800	3.500	35	72	3-103167-3
△ OBSOLETE	△	△	3.390	.190	3.700	3.400	34	70	3-103167-2
△ OBSOLETE	△	△	3.290	.190	3.600	3.300	33	68	3-103167-1
△ OBSOLETE	△	△	3.190	.190	3.500	3.200	32	66	3-103167-0
△ OBSOLETE	△	△	3.090	.190	3.400	3.100	31	64	2-103167-9
△ OBSOLETE	△	△	2.990	.190	3.300	3.000	30	62	2-103167-8
△ OBSOLETE	△	△	2.890	.190	3.200	2.900	29	60	2-103167-7
△ OBSOLETE	△	△	2.790	.190	3.100	2.800	28	58	2-103167-6
△ OBSOLETE	△	△	2.690	.190	3.000	2.700	27	56	2-103167-5
△ OBSOLETE	△	△	2.590	.190	2.900	2.600	26	54	2-103167-4
△ OBSOLETE	△	△	2.490	.190	2.800	2.500	25	52	2-103167-3
△ OBSOLETE	△	△	2.390	.190	2.700	2.400	24	50	2-103167-2
△ OBSOLETE	△	△	2.290	.190	2.600	2.300	23	48	2-103167-1
△ OBSOLETE	△	△	2.190	.190	2.500	2.200	22	46	2-103167-0
△ OBSOLETE	△	△	2.090	.190	2.400	2.100	21	44	1-103167-9
△ OBSOLETE	△	△	1.990	.190	2.300	2.000	20	42	1-103167-8
△	△	△	1.890	.190	2.200	1.900	19	40	1-103167-7
△	△	△	1.790	.190	2.100	1.800	18	38	1-103167-6
△	△	△	1.690	.190	2.000	1.700	17	36	1-103167-5
△	△	△	1.590	.190	1.900	1.600	16	34	1-103167-4
△	△	△	1.490	.190	1.800	1.500	15	32	1-103167-3
△	△	△	1.390	.190	1.700	1.400	14	30	1-103167-2
△	△	△	1.290	.190	1.600	1.300	13	28	1-103167-1
△	△	△	1.190	.190	1.500	1.200	12	26	1-103167-0
△	△	△	1.090	.190	1.400	1.100	11	24	103167-9
△	△	△	.990	.190	1.300	1.000	10	22	103167-8
△	△	△	.890	.190	1.200	.900	9	20	103167-7
△	△	△	.790	.190	1.100	.800	8	18	103167-6
△	△	△	.690	.190	1.000	.700	7	16	103167-5
△	△	△	.590	.190	.900	.600	6	14	103167-4
△	△	△	.490	.190	.800	.500	5	12	103167-3
△	△	△	.390	.190	.700	.400	4	10	103167-2
△	△	△	.290	.190	.600	.300	3	8	103167-1

PLATING	E	D	C	B	A	NO OF POSN	ASSEMBLY PART NUMBER

THIS DRAWING IS A CONTROLLED DOCUMENT.

DIMENSIONS: INCHES	TOLERANCES UNLESS OTHERWISE SPECIFIED:	DIN H MOLL 27JUL87	28JUL87
0 PLC ± -	1 PLC ± -	CHK R FEJDT	29JUL87
2 PLC ± -	3 PLC ± .005	APPV R FLICKER	
4 PLC ± -	ANGLES ± -	NAME	

MATERIAL: HOUSING: PHASE INHIBITANT COLOR: BRNZ POST:PHOS BRONZE FINISH: SEE TABLE

WEIGHT: A1 00779 103167

CUSTOMER DRAWING SCALE: 4:1 SHEET 1 OF 1 REV N4

TE Connectivity

HDR ASSY, MOD II, SHROUDED, 4 SIDES, DBL ROW, .100X.100 RIGHT ANGLE, W/ .025 SQ POSTS

## X-ON Electronics

Largest Supplier of Electrical and Electronic Components

*Click to view similar products for [Headers & Wire Housings](#) category:*

*Click to view products by [TE Connectivity](#) manufacturer:*

Other Similar products are found below :

[892-18-020-10-001101](#) [58102-G61-06LF](#) [582553-1](#) [0009485154](#) [009176003701906](#) [0050291907](#) [LY20-4P-DT1-P1E-BR](#) [02.125.8002.8](#)  
[609-3404](#) [61062-3](#) [61082-181009](#) [622-3653LF](#) [63453-116](#) [636-1030](#) [636-1427](#) [636-3427](#) [636-4007](#) [641938-9](#) [641991-4](#) [644827-2](#) [65817-010LF](#) [65817-015LF](#) [65863-015LF](#) [66207-023LF](#) [67095-007LF](#) [67601157](#) [68645-018](#) [68648-049](#) [70.362.1628.0](#) [70-4210](#) [70-4226B](#) [70-4853B](#) [707-5020](#) [707-5028](#) [71.350.2428.0](#) [71918-208LF](#) [71961-016LF](#) [733-134](#) [733-162](#) [754199-000](#) [760-3052](#) [787-8014-00](#) [79531-3000](#)  
[FCN-360C032-B](#) [FCN-367T-T012/H](#) [FCN-723D010/2](#) [80.063.4001.1](#) [800-90-001-10-001000](#) [800-90-010-10-002000](#) [801-43-002-10-013000](#)