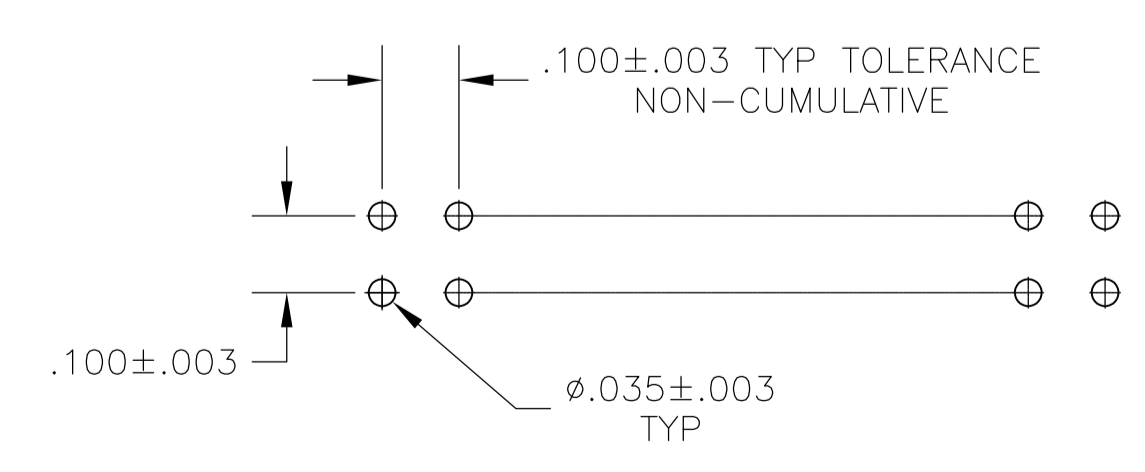
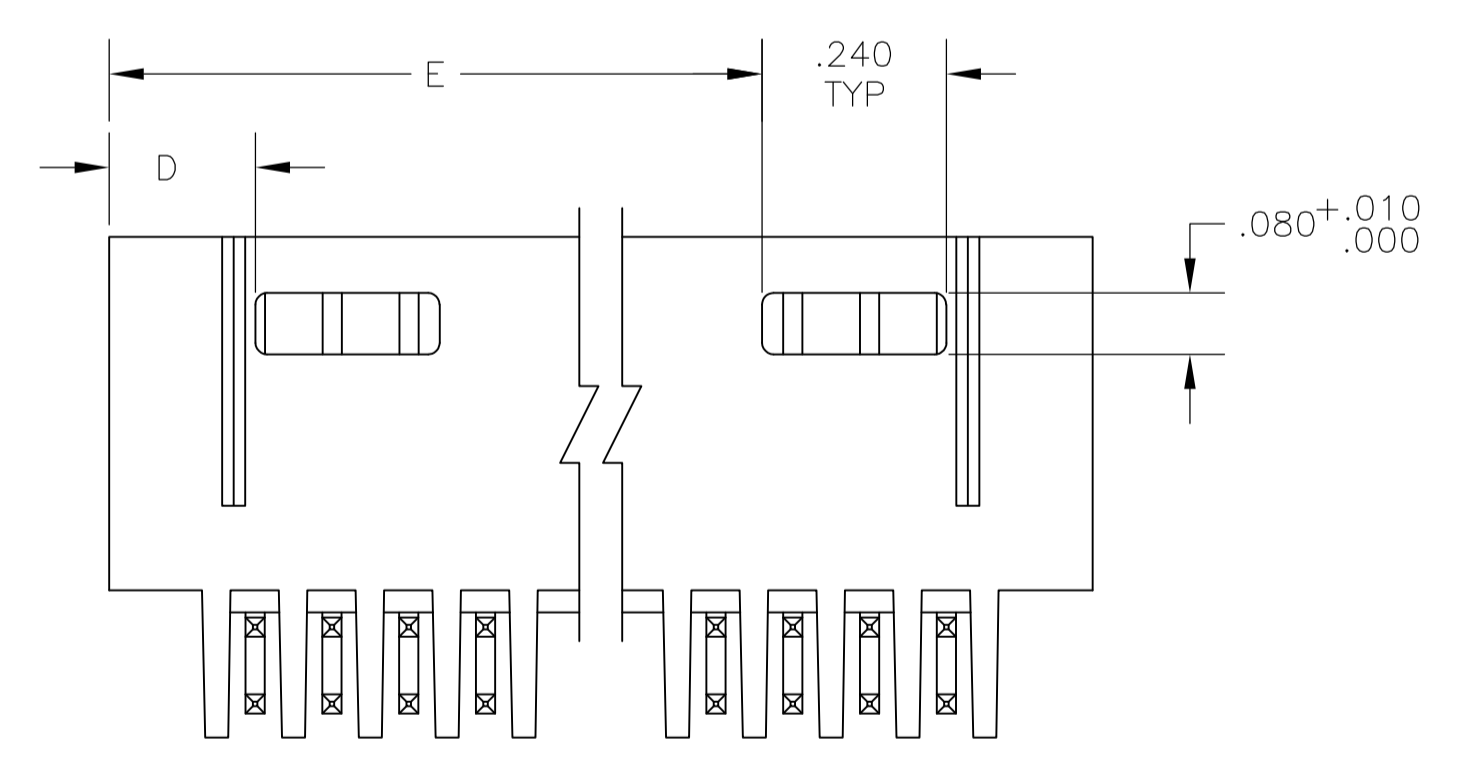
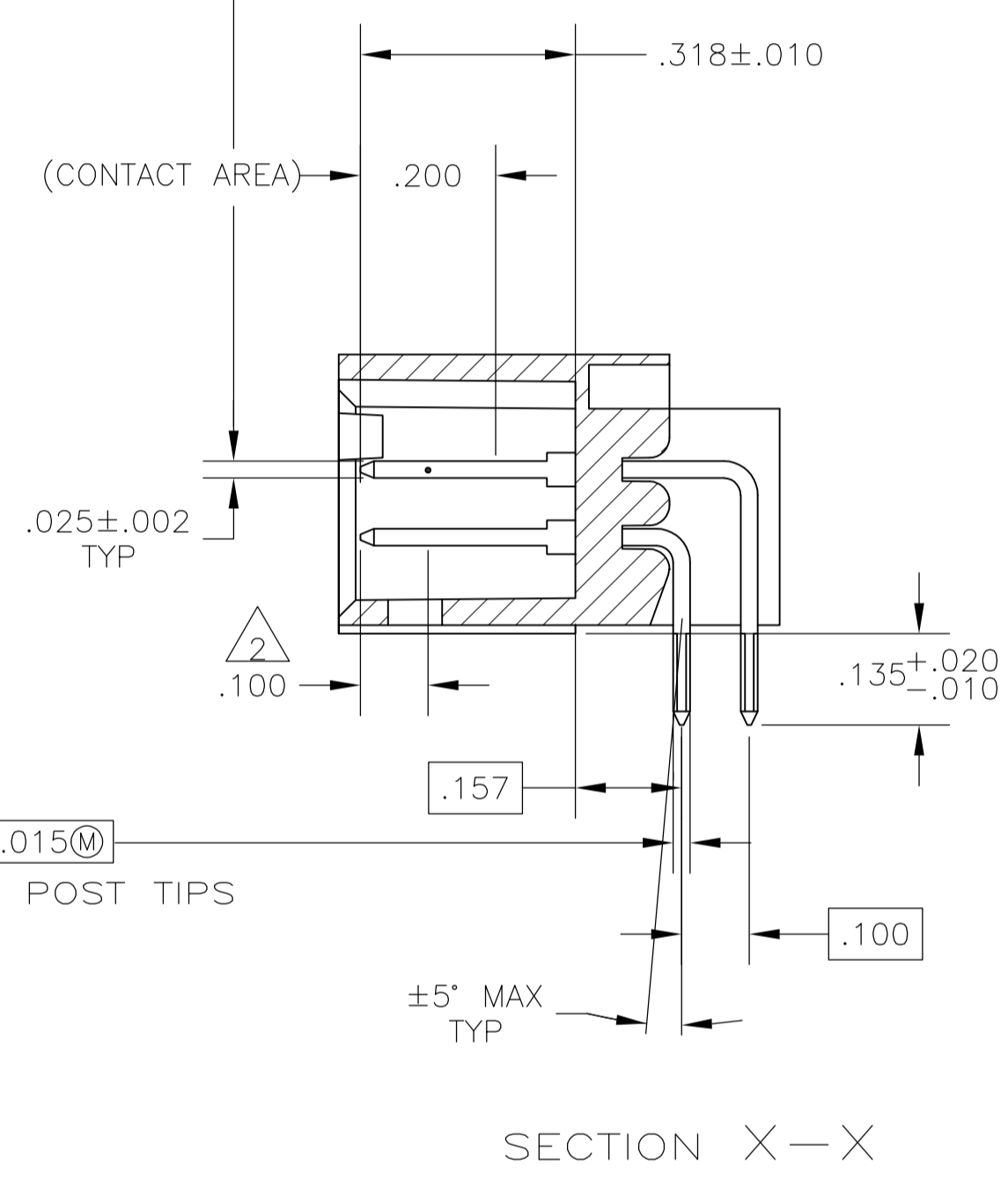
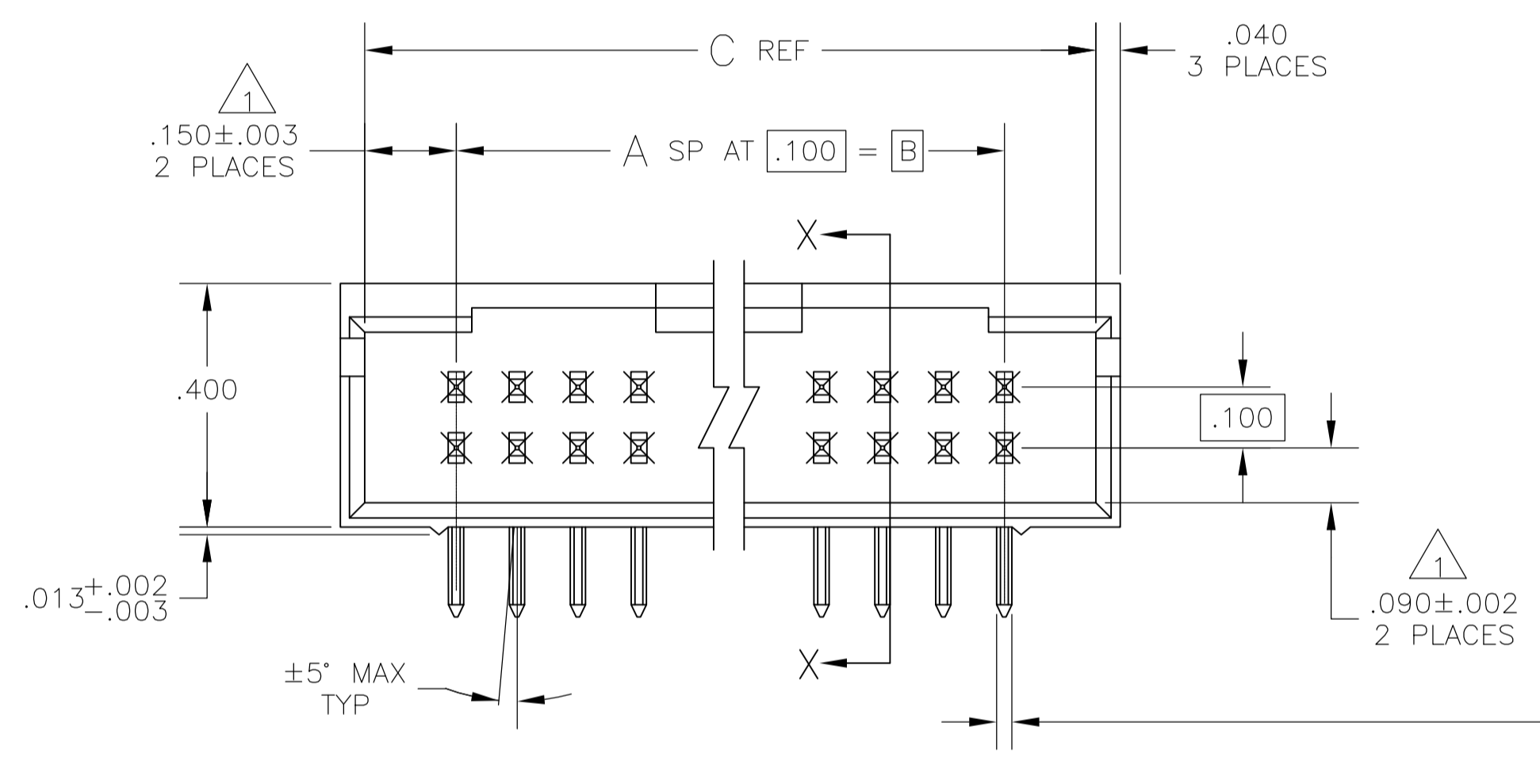
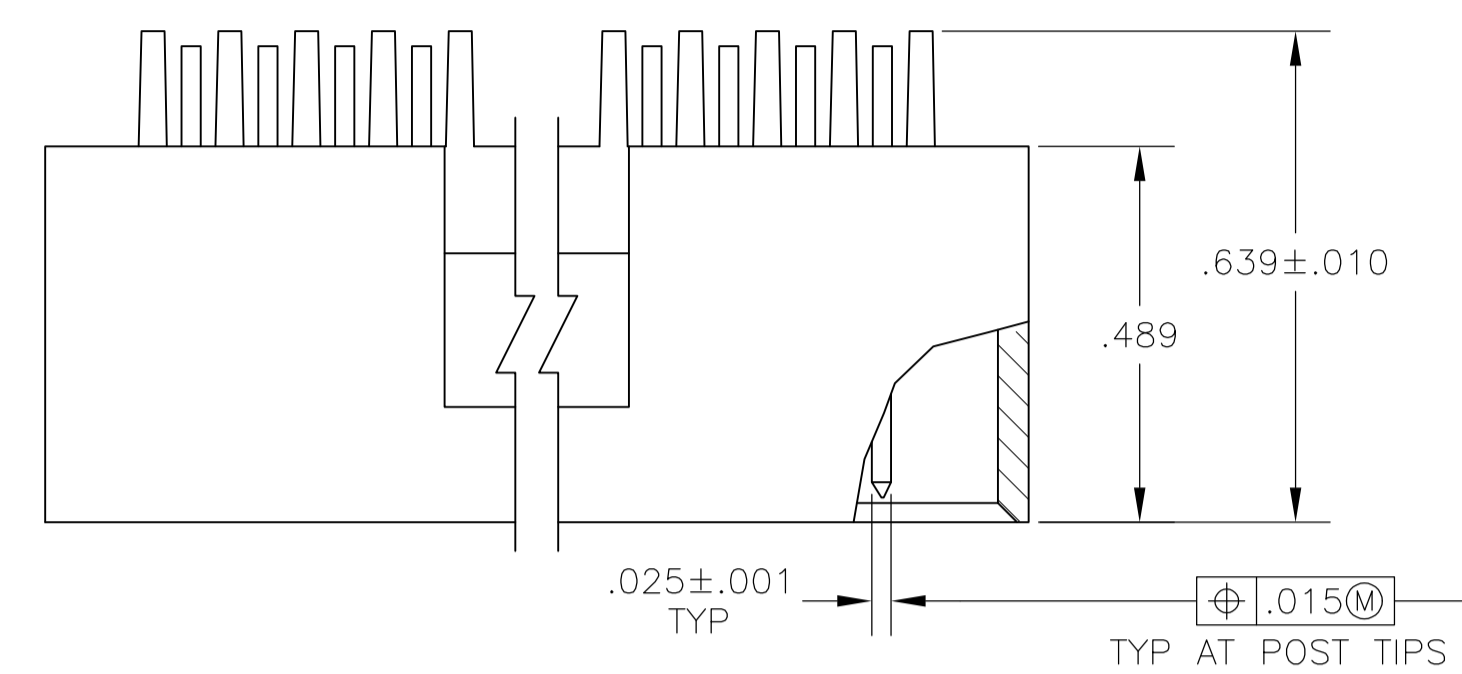


- 1 THE NOTED DIMENSION APPLIES AT THE INTERSECTION OF THE POST AND HOUSING
- 2 POINT OF MEASUREMENT FOR PLATING THICKNESS.
- 3 POSTS: .000030 GOLD IN CONTACT AREA .000100-.000200 MATTE TIN LEAD ON SOLDER TAIL, ALL OVER .000050 NICKEL
- 4 POSTS: .000030 GOLD IN CONTACT AREA .000100-.000200 MATTE TIN ON SOLDER TAIL, ALL OVER .000050 NICKEL
- 5 OBSOLETE PARTS: OBSOLETE CIS STREAMLINING PER D.RENAUD/D.SINISI



REV	DATE	BY	CHK	APPV	DESCRIPTION	NO OF POSN	ASSEMBLY PART NUMBER
5	OBSOLETE						
4	OBSOLETE						
3	OBSOLETE						
2	OBSOLETE						
1	OBSOLETE						
0	OBSOLETE						
3	OBSOLETE						
2	OBSOLETE						
1	OBSOLETE						
0	OBSOLETE						
3	OBSOLETE						
2	OBSOLETE						
1	OBSOLETE						
0	OBSOLETE						
3	OBSOLETE						
2	OBSOLETE						
1	OBSOLETE						
0	OBSOLETE						
3	OBSOLETE						
2	OBSOLETE						
1	OBSOLETE						
0	OBSOLETE						
3	OBSOLETE						
2	OBSOLETE						
1	OBSOLETE						
0	OBSOLETE						
3	OBSOLETE						
2	OBSOLETE						
1	OBSOLETE						
0	OBSOLETE						
3	OBSOLETE						
2	OBSOLETE						
1	OBSOLETE						
0	OBSOLETE						
3	OBSOLETE						
2	OBSOLETE						
1	OBSOLETE						
0	OBSOLETE						
3	OBSOLETE						
2	OBSOLETE						
1	OBSOLETE						
0	OBSOLETE						
3	OBSOLETE						
2	OBSOLETE						
1	OBSOLETE						
0	OBSOLETE						
3	OBSOLETE						
2	OBSOLETE						
1	OBSOLETE						
0	OBSOLETE						
3	OBSOLETE						
2	OBSOLETE						
1	OBSOLETE						
0	OBSOLETE						
3	OBSOLETE						
2	OBSOLETE						
1	OBSOLETE						
0	OBSOLETE						
3	OBSOLETE						
2	OBSOLETE						
1	OBSOLETE						
0	OBSOLETE						
3	OBSOLETE						
2	OBSOLETE						
1	OBSOLETE						
0	OBSOLETE						
3	OBSOLETE						
2	OBSOLETE						
1	OBSOLETE						
0	OBSOLETE						
3	OBSOLETE						
2	OBSOLETE						
1	OBSOLETE						
0	OBSOLETE						
3	OBSOLETE						
2	OBSOLETE						
1	OBSOLETE						
0	OBSOLETE						
3	OBSOLETE						
2	OBSOLETE						
1	OBSOLETE						
0	OBSOLETE						
3	OBSOLETE						
2	OBSOLETE						
1	OBSOLETE						
0	OBSOLETE						
3	OBSOLETE						
2	OBSOLETE						
1	OBSOLETE						
0	OBSOLETE						
3	OBSOLETE						
2	OBSOLETE						
1	OBSOLETE						
0	OBSOLETE						
3	OBSOLETE						
2	OBSOLETE						
1	OBSOLETE						
0	OBSOLETE						
3	OBSOLETE						
2	OBSOLETE						
1	OBSOLETE						
0	OBSOLETE						
3	OBSOLETE						
2	OBSOLETE						
1	OBSOLETE						
0	OBSOLETE						
3	OBSOLETE						
2	OBSOLETE						
1	OBSOLETE						
0	OBSOLETE						
3	OBSOLETE						
2	OBSOLETE						
1	OBSOLETE						
0	OBSOLETE						
3	OBSOLETE						
2	OBSOLETE						
1	OBSOLETE						
0	OBSOLETE						
3	OBSOLETE						
2	OBSOLETE						
1	OBSOLETE						
0	OBSOLETE						
3	OBSOLETE						
2	OBSOLETE						
1	OBSOLETE						
0	OBSOLETE						
3	OBSOLETE						
2	OBSOLETE						
1	OBSOLETE						
0	OBSOLETE						
3	OBSOLETE						
2	OBSOLETE						
1	OBSOLETE						
0	OBSOLETE						
3	OBSOLETE						
2	OBSOLETE						
1	OBSOLETE						
0	OBSOLETE						
3	OBSOLETE						
2	OBSOLETE						
1	OBSOLETE						
0	OBSOLETE						
3	OBSOLETE						
2	OBSOLETE						
1	OBSOLETE						
0	OBSOLETE						
3	OBSOLETE						
2	OBSOLETE						
1	OBSOLETE						
0	OBSOLETE						
3	OBSOLETE						
2	OBSOLETE						
1	OBSOLETE						
0	OBSOLETE						
3	OBSOLETE						
2	OBSOLETE						
1	OBSOLETE						
0	OBSOLETE						
3	OBSOLETE						
2	OBSOLETE						
1	OBSOLETE						
0	OBSOLETE						
3	OBSOLETE						
2	OBSOLETE						
1	OBSOLETE						
0	OBSOLETE						
3	OBSOLETE						
2	OBSOLETE						
1	OBSOLETE						
0	OBSOLETE						
3	OBSOLETE						
2	OBSOLETE						
1	OBSOLETE						
0	OBSOLETE						
3	OBSOLETE						
2	OBSOLETE						
1	OBSOLETE						
0	OBSOLETE						
3	OBSOLETE						
2	OBSOLETE						
1	OBSOLETE						
0	OBSOLETE						
3	OBSOLETE						
2	OBSOLETE						
1	OBSOLETE						
0	OBSOLETE						
3	OBSOLETE						
2	OBSOLETE						
1	OBSOLETE						
0	OBSOLETE						
3	OBSOLETE						
2	OBSOLETE						
1	OBSOLETE						
0	OBSOLETE						
3	OBSOLETE						
2	OBSOLETE						
1	OBSOLETE						
0	OBSOLETE						
3	OBSOLETE						
2	OBSOLETE						
1	OBSOLETE						
0	OBSOLETE						
3	OBSOLETE						
2	OBSOLETE						
1	OBSOLETE						
0	OBSOLETE						
3	OBSOLETE						
2	OBSOLETE						
1	OBSOLETE						
0	OBSOLETE						
3	OBSOLETE						
2	OBSOLETE						
1	OBSOLETE						
0	OBSOLETE						
3	OBSOLETE						
2	OBSOLETE						
1	OBSOLETE						
0	OBSOLETE						
3	OBSOLETE						
2	OBSOLETE						
1	OBSOLETE						
0	OBSOLETE						
3	OBSOLETE						
2	OBSOLETE						
1	OBSOLETE						
0	OBSOLETE						
3	OBSOLETE						
2	OBSOLETE						
1	OBSOLETE						
0	OBSOLETE						
3	OBSOLETE						
2	OBSOLETE						
1	OBSOLETE						
0	OBSOLETE						
3	OBSOLETE						
2	OBSOLETE						
1	OBSOLETE						
0	OBSOLETE						
3	OBSOLETE						
2	OBSOLETE						
1	OBSOLETE						
0	OBSOLETE						
3	OBSOLETE						
2	OBSOLETE						
1	OBSOLETE						
0	OBSOLETE						
3	OBSOLETE						
2	OBSOLETE						
1	OBSOLETE						
0	OBSOLETE						
3	OBSOLETE						
2	OBSOLETE						
1	OBSOLETE						
0	OBSOLETE						
3	OBSOLETE						
2	OBSOLETE						
1	OBSOLETE						
0	OBSOLETE						
3	OBSOLETE						
2	OBSOLETE						
1	OBSOLETE						
0	OBSOLETE						
3	OBSOLETE						

X-ON Electronics

Largest Supplier of Electrical and Electronic Components

Click to view similar products for [Headers & Wire Housings](#) category:

Click to view products by [TE Connectivity](#) manufacturer:

Other Similar products are found below :

[892-18-020-10-001101](#) [58102-G61-06LF](#) [582553-1](#) [0009485154](#) [009176003701906](#) [0050291907](#) [LY20-4P-DT1-P1E-BR](#) [02.125.8002.8](#)
[609-3404](#) [61062-3](#) [61082-181009](#) [622-3653LF](#) [63453-116](#) [636-1030](#) [636-1427](#) [636-3427](#) [636-4007](#) [641938-9](#) [641991-4](#) [644827-2](#) [65817-](#)
[010LF](#) [65817-015LF](#) [65863-015LF](#) [66207-023LF](#) [67095-007LF](#) [67601157](#) [68645-018](#) [68648-049](#) [70.362.1628.0](#) [70-4210](#) [70-4226B](#) [70-](#)
[4853B](#) [707-5020](#) [707-5028](#) [71.350.2428.0](#) [71918-208LF](#) [71961-016LF](#) [733-134](#) [733-162](#) [754199-000](#) [760-3052](#) [787-8014-00](#) [79531-3000](#)
[FCN-360C032-B](#) [FCN-367T-T012/H](#) [FCN-723D010/2](#) [80.063.4001.1](#) [800-90-001-10-001000](#) [800-90-010-10-002000](#) [801-43-002-10-013000](#)