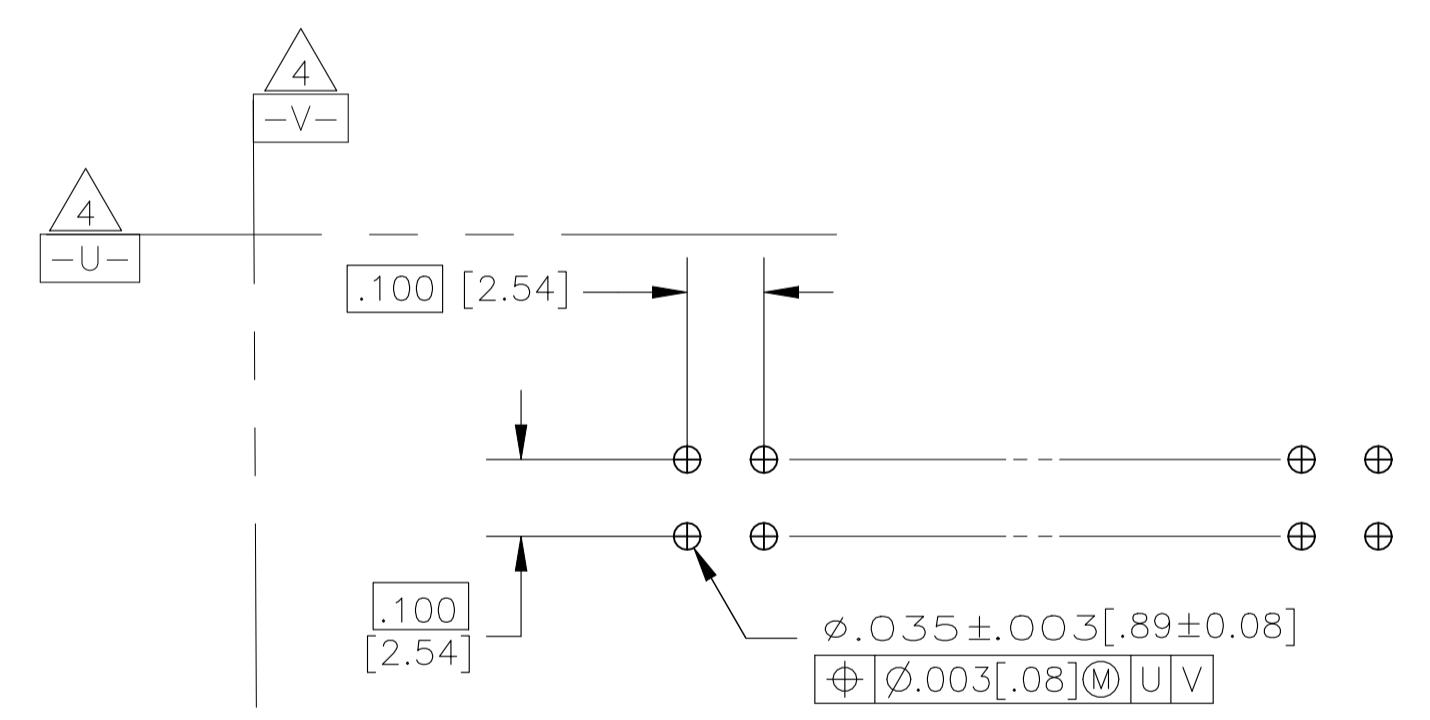
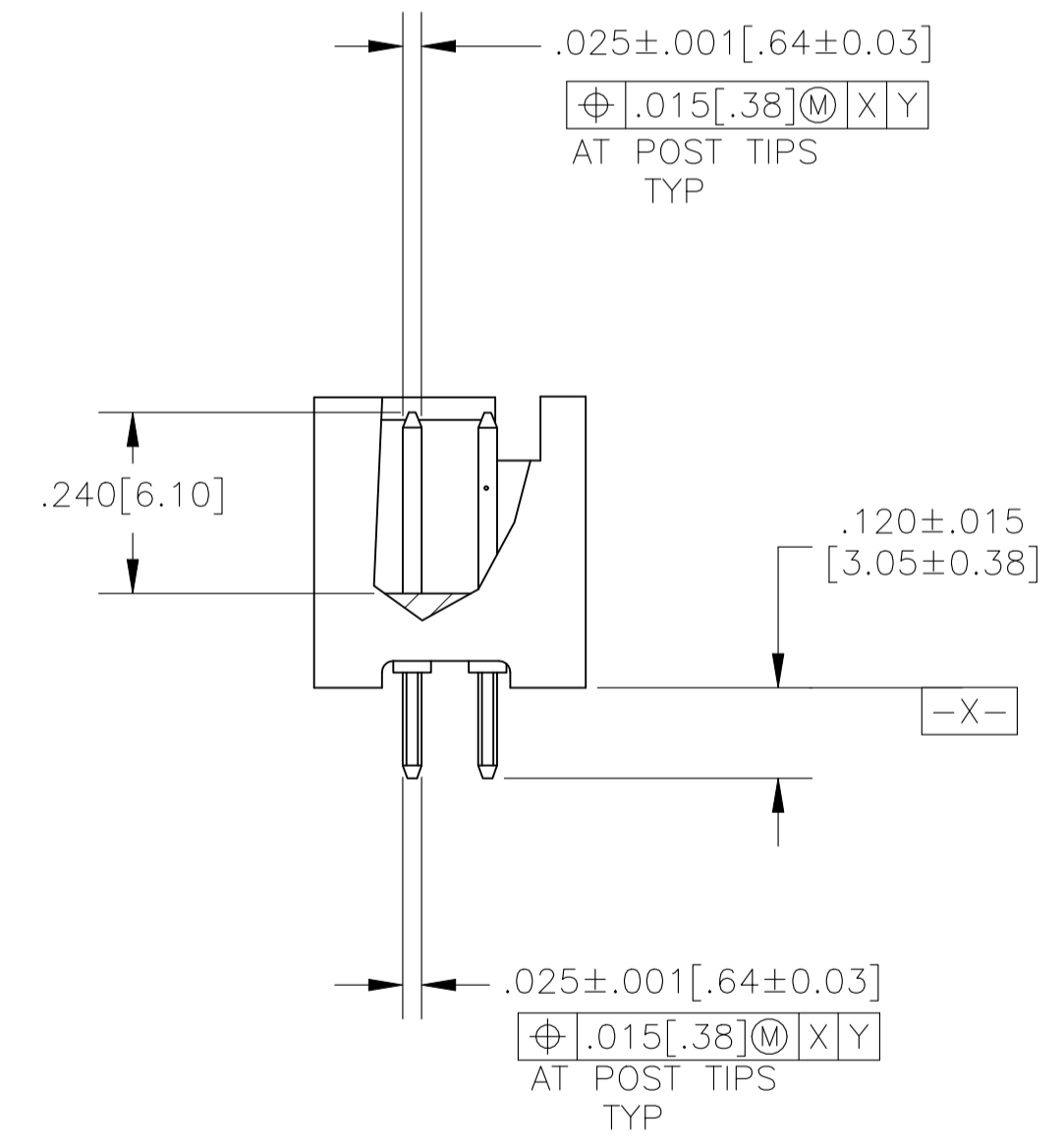
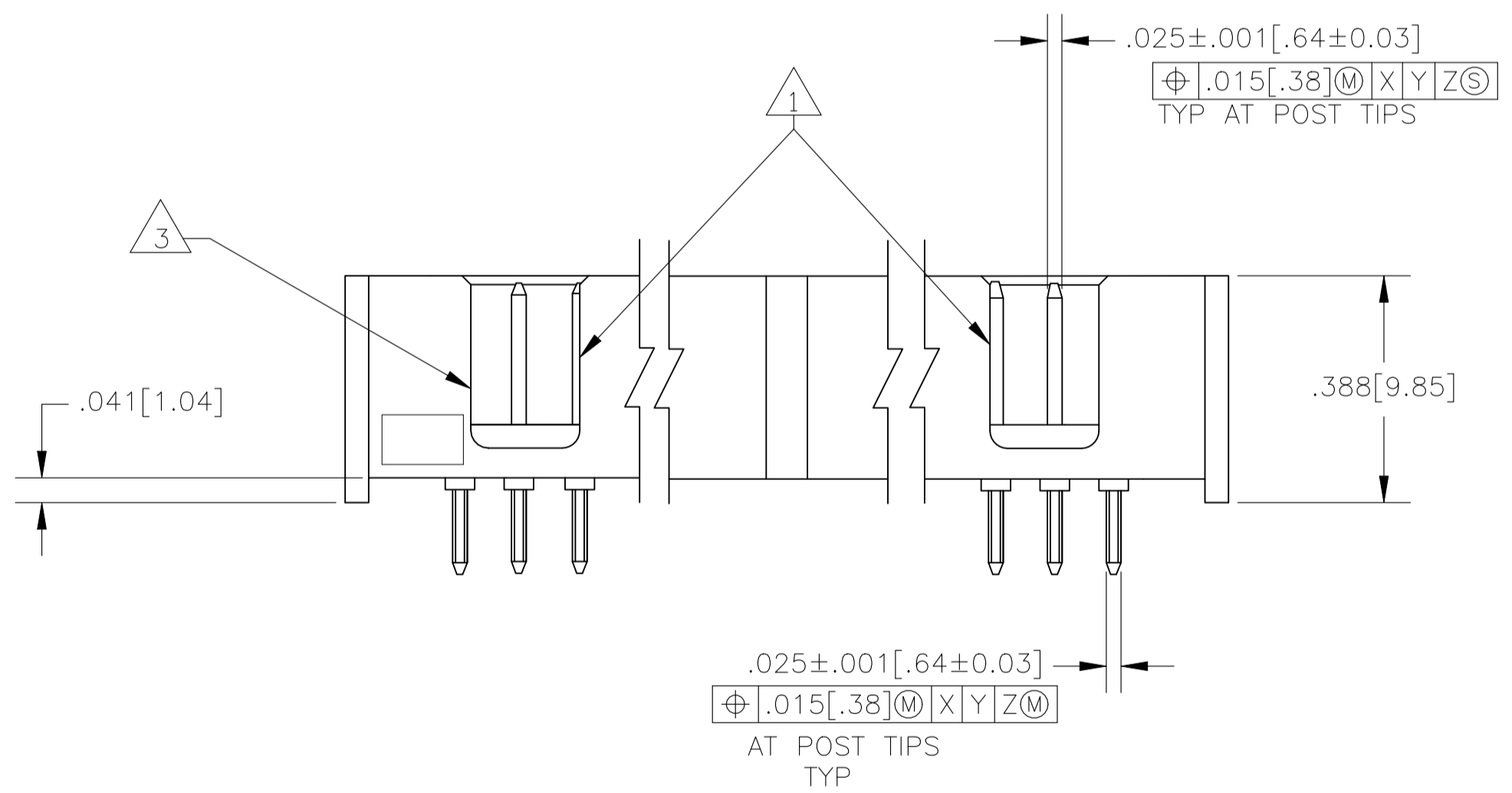
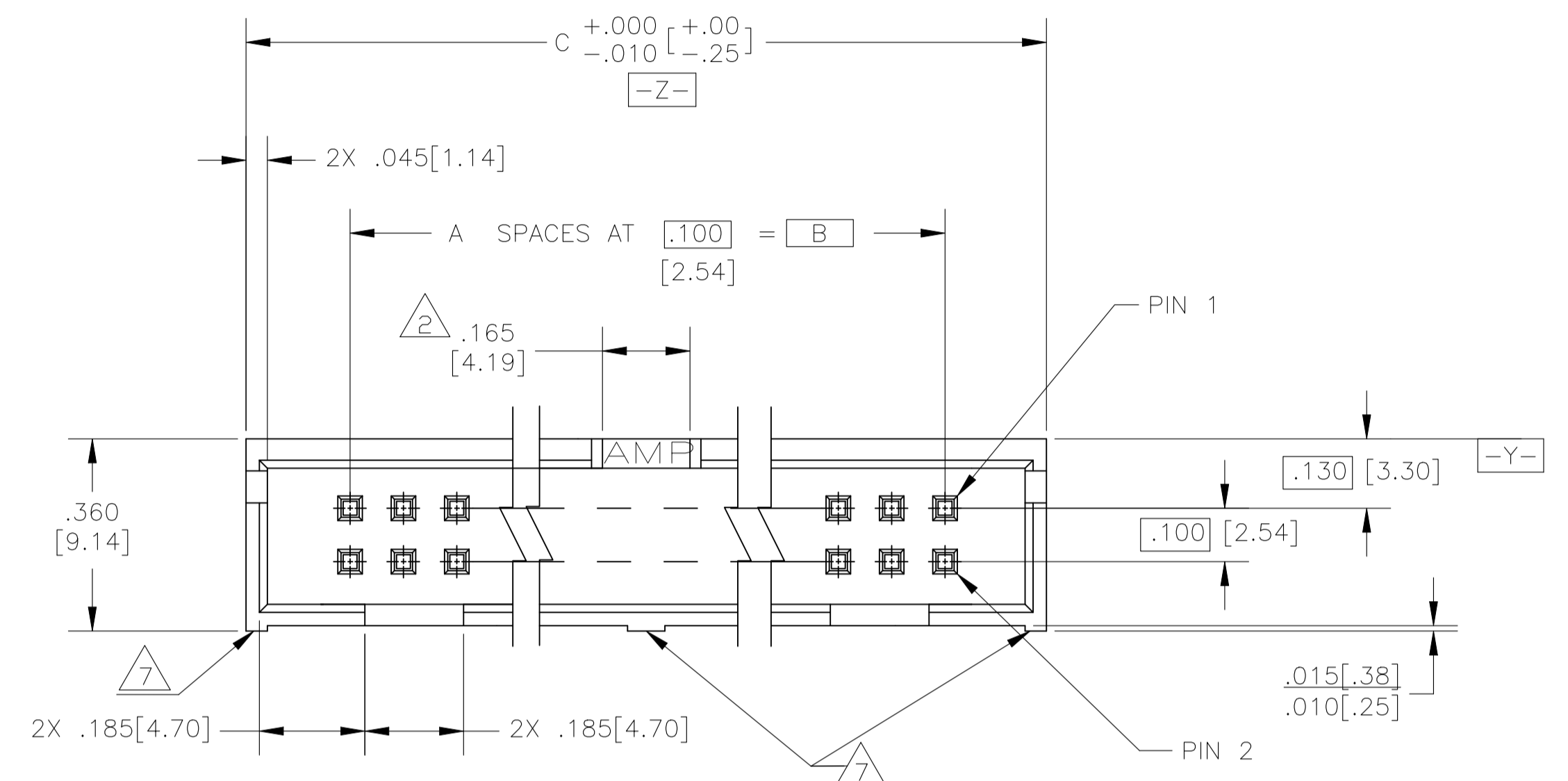


REVISIONS					
P	LTR	DESCRIPTION	DATE	DMN	APVD
E1		ADD METRIC DIMENSION	ECR-21-117090	8SEP2016	IT WH



RECOMMENDED PCB LAYOUT

- 1 DOUBLE BAR POLARIZATION SLOTS.
- 2 CENTER POLARIZATION SLOT.
- 3 FOR 10 POSN ASSEMBLY, SLOT OMITTED IN THIS LOCATION.
- 4 DATUMS U AND V TO BE ESTABLISHED BY THE CUSTOMER.
- 5 HOUSING: GLASS FILLED NYLON OR PBT, BLACK, UL 94V-0 RATED. POSTS: BRASS.
- 6 POSTS: GOLD FLASH OVER PALLADIUM-NICKEL PLATE, .000015[.00038] MIN TOTAL ON THE MATING SURFACES, .000100[.00254] MIN TIN PLATE ON THE SOLDER-TAILS, .000050[.00127] MIN NICKEL UNDERPLATE ON THE ENTIRE POST. -OR- .000015[.00038] MIN GOLD PLATE ON THE MATING SURFACES, .000100[.00254] MIN TIN PLATE ON THE SOLDER-TAILS, .000050[.00127] MIN NICKEL UNDERPLATE ON THE ENTIRE POST.
- 7 RIBS: ALL POSITION SIZES-2 LOCATED AT ENDS OF HOUSING. 20 THRU 34 POSITION SIZES-1 ADDITIONAL RIB CENTERED ON HOUSING. 40 THRU 60 POSITION SIZES- 2 ADDITIONAL RIBS EVENLY SPACED WITHIN REMAINING LENGTH OF HOUSING.

1.500[38.10]	1.100[27.94]	11	24	1-5103308-3
3.300[83.82]	2.900[73.66]	29	60	1-5103308-2
2.800[71.12]	2.400[60.96]	24	50	1-5103308-0
2.300[58.42]	1.900[48.26]	19	40	5103308-8
2.000[50.80]	1.600[40.64]	16	34	5103308-7
1.600[40.64]	1.200[30.48]	12	26	5103308-6
1.300[33.02]	.900[22.86]	9	20	5103308-5
1.100[27.94]	.700[17.78]	7	16	5103308-3
1.000[25.40]	.600[15.24]	6	14	5103308-2
.800[20.32]	.400[10.16]	4	10	5103308-1
C	B	A	NO OF POSN	PART NUMBER

THIS DRAWING IS A CONTROLLED DOCUMENT.

DIMENSIONS: INCHES [mm]	TOLERANCES UNLESS OTHERWISE SPECIFIED:	0 PLC ± -	1 PLC ± -	2 PLC ± -	3 PLC ± .005(1.3)	4 PLC ± -	ANGLES ± -
-------------------------	--	-----------	-----------	-----------	-------------------	-----------	------------

MATERIAL: 5 FINISH: 6

APPROVED: S. BOLASH	DATE: 01 NOV 05	NAME: W. WALMSLEY	DATE: 01 NOV 05
PRODUCT SPEC: 108-40018		APPLICATION SPEC: -	
SIZE: A1	CAGE CODE: 00779	DRAWING NO: 5103308	RESTRICTED TO: -
CUSTOMER DRAWING		SCALE: 4:1	SHEET 1 OF 1

STE TE Connectivity

HEADER ASSY, VERTICAL, LOW PROFILE, AMP-LATCH

X-ON Electronics

Largest Supplier of Electrical and Electronic Components

Click to view similar products for [Headers & Wire Housings](#) category:

Click to view products by [TE Connectivity](#) manufacturer:

Other Similar products are found below :

[892-18-020-10-001101](#) [58102-G61-06LF](#) [582553-1](#) [0009485154](#) [009176003701906](#) [0050291907](#) [LY20-4P-DT1-P1E-BR](#) [02.125.8002.8](#)
[609-3404](#) [61062-3](#) [61082-181009](#) [622-3653LF](#) [63453-116](#) [636-1030](#) [636-1427](#) [636-3427](#) [636-4007](#) [641938-9](#) [641991-4](#) [644827-2](#) [65817-010LF](#) [65817-015LF](#) [65863-015LF](#) [66207-023LF](#) [67095-007LF](#) [67601157](#) [68645-018](#) [68648-049](#) [70.362.1628.0](#) [70-4210](#) [70-4226B](#) [70-4853B](#) [707-5020](#) [707-5028](#) [71.350.2428.0](#) [71918-208LF](#) [71961-016LF](#) [733-134](#) [733-162](#) [754199-000](#) [760-3052](#) [787-8014-00](#) [79531-3000](#)
[FCN-360C032-B](#) [FCN-367T-T012/H](#) [FCN-723D010/2](#) [80.063.4001.1](#) [800-90-001-10-001000](#) [800-90-010-10-002000](#) [801-43-002-10-013000](#)