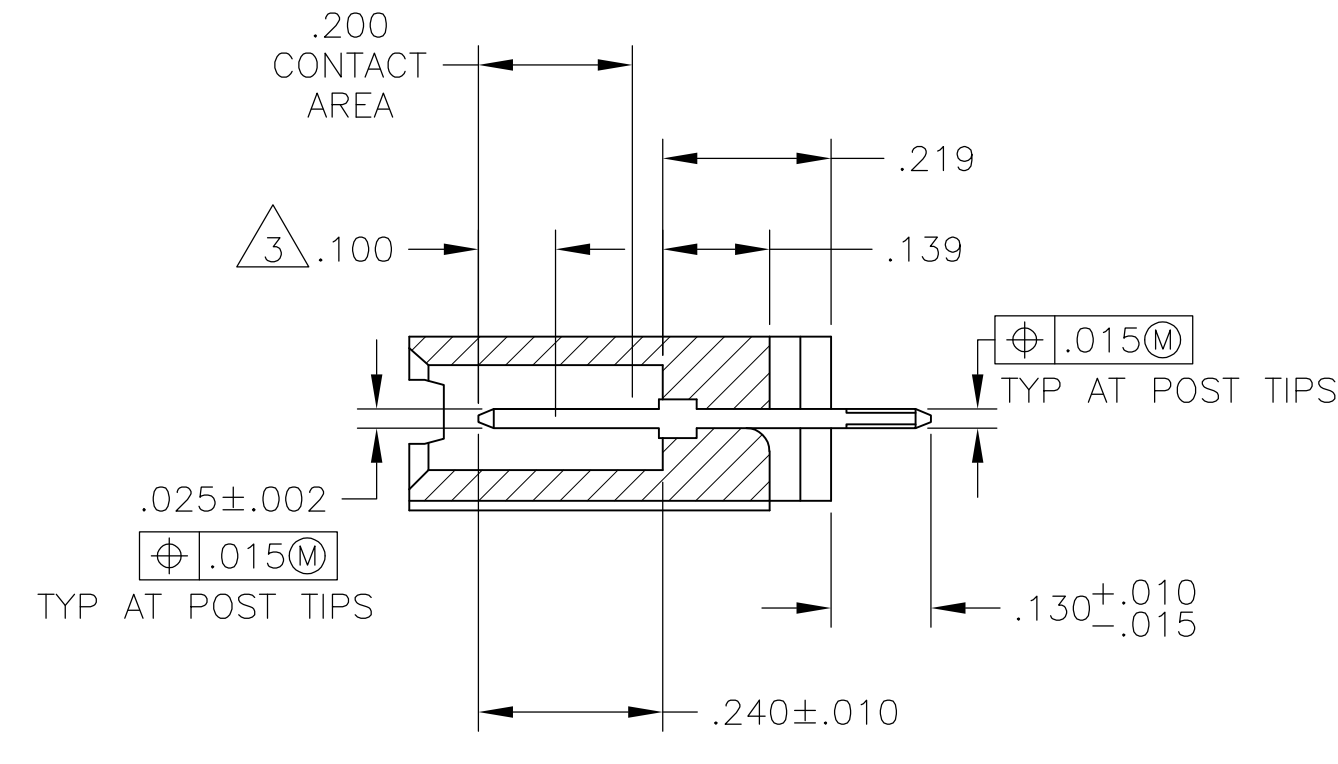
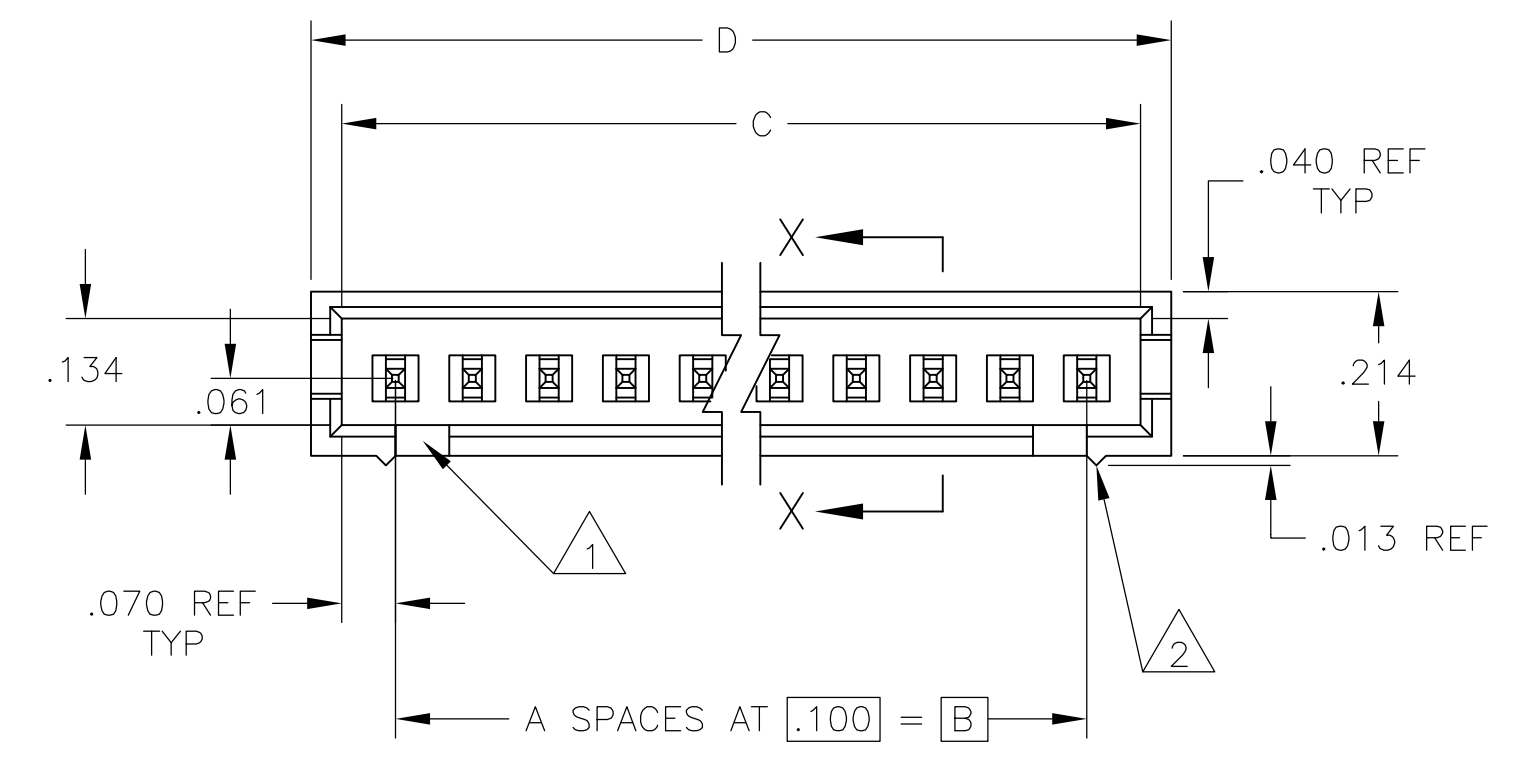
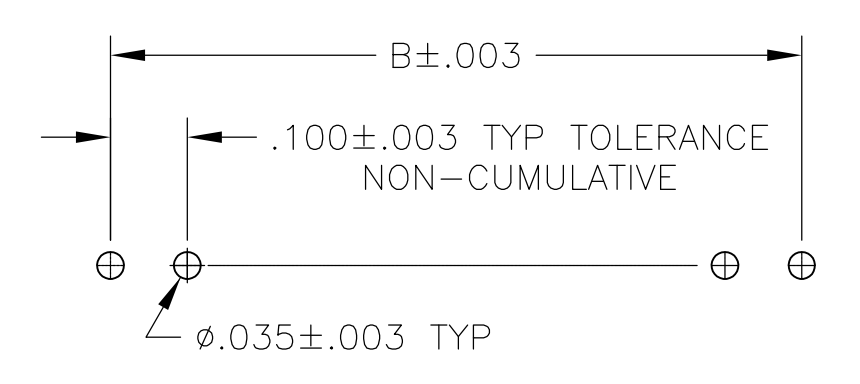
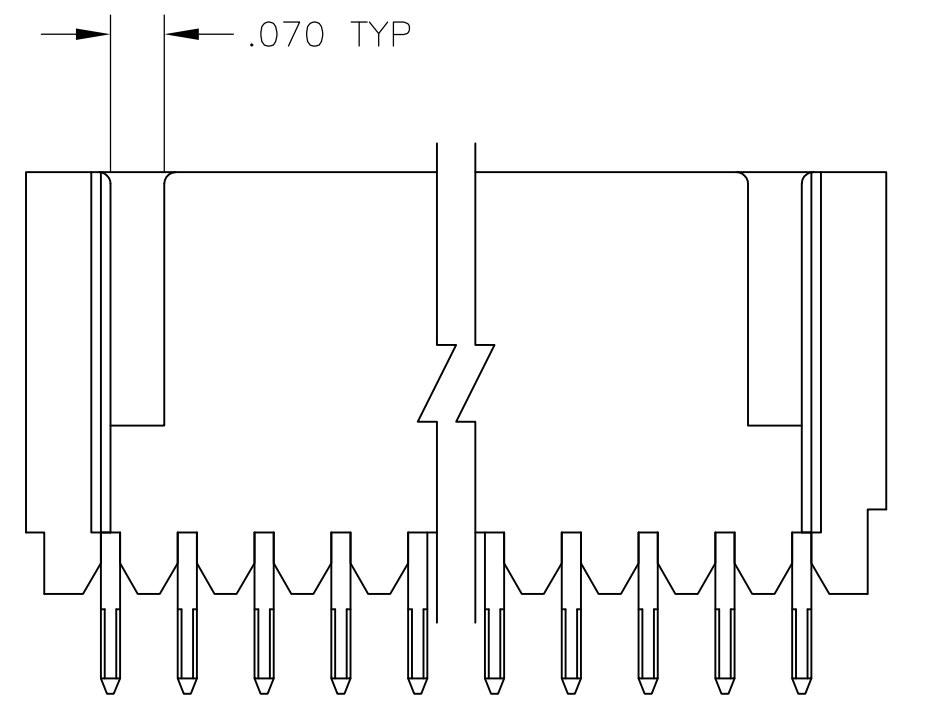


- 1 FOR 3 POSITION ONLY (.215 WIDE).
- 2 STANDOFFS: UP TO 9 POS-(2 REQD) ON THE OUTSIDE ENDS OF THE HOUSING 10 TO 19 POS-(3 REQD) TWO ON THE OUTSIDE ENDS AND ONE CENTERED ON THE HOUSING 19 POS AND LARGER-(4 REQD) TWO ON THE OUTSIDE ENDS AND TWO SPACED EVENLY WITHIN THE REMAINING LENGTH OF THE HOUSING.
- 3 POINT OF MEASUREMENT FOR PLATING THICKNESS.
- 4 .000030 GOLD ON THE CONTACT AREA, .000100-.000200 MATTE TIN-LEAD ON THE SOLDER TAIL, ALL OVER .000050 NICKEL.
- 5 OBSOLETE PART NUMBER
- 6 RECESSED DATE CODE
- 7 .000030 GOLD ON THE CONTACT AREA, .000100-.000200 MATTE TIN ON THE SOLDER TAIL, ALL OVER .000050 NICKEL.
- 8 MATERIAL: HOUSING- FLAME RETARDANT THERMOPLASTIC, COLOR- BLACK. POSTS- COPPER ALLOY
- 9 OBSOLETE PARTS: OBSOLETE CIS STREAMLINING PER D.RENAUD/D.SINISI



SECTION X-X



RECOMMENDED HOLE LAYOUT

| PLATING | D | C | B | A | NO OF POS | ASSEMBLY PART NUMBER | |
|------------|---|-------|-------|-------|-----------|----------------------|------------|
| 9 OBSOLETE | 7 | 2.620 | 2.540 | 2.400 | 24 | 25 | 7-103414-3 |
| 9 OBSOLETE | 7 | 2.520 | 2.440 | 2.300 | 23 | 24 | 7-103414-2 |
| 9 OBSOLETE | 7 | 2.420 | 2.340 | 2.200 | 22 | 23 | 7-103414-1 |
| 9 OBSOLETE | 7 | 2.320 | 2.240 | 2.100 | 21 | 22 | 7-103414-0 |
| 9 OBSOLETE | 7 | 2.220 | 2.140 | 2.000 | 20 | 21 | 6-103414-9 |
| 9 OBSOLETE | 7 | 2.120 | 2.040 | 1.900 | 19 | 20 | 6-103414-8 |
| 9 OBSOLETE | 7 | 2.020 | 1.940 | 1.800 | 18 | 19 | 6-103414-7 |
| 9 OBSOLETE | 7 | 1.920 | 1.840 | 1.700 | 17 | 18 | 6-103414-6 |
| 9 OBSOLETE | 7 | 1.820 | 1.740 | 1.600 | 16 | 17 | 6-103414-5 |
| 9 OBSOLETE | 7 | 1.720 | 1.640 | 1.500 | 15 | 16 | 6-103414-4 |
| 9 OBSOLETE | 7 | 1.620 | 1.540 | 1.400 | 14 | 15 | 6-103414-3 |
| 9 OBSOLETE | 7 | 1.520 | 1.440 | 1.300 | 13 | 14 | 6-103414-2 |
| 9 OBSOLETE | 7 | 1.420 | 1.340 | 1.200 | 12 | 13 | 6-103414-1 |
| 9 OBSOLETE | 7 | 1.320 | 1.240 | 1.100 | 11 | 12 | 6-103414-0 |
| 9 OBSOLETE | 7 | 1.220 | 1.140 | 1.000 | 10 | 11 | 5-103414-9 |
| 9 OBSOLETE | 7 | 1.120 | 1.040 | .900 | 9 | 10 | 5-103414-8 |
| 9 OBSOLETE | 7 | 1.020 | .940 | .800 | 8 | 9 | 5-103414-7 |
| 9 OBSOLETE | 7 | .920 | .840 | .700 | 7 | 8 | 5-103414-6 |
| 9 OBSOLETE | 7 | .820 | .740 | .600 | 6 | 7 | 5-103414-5 |
| 9 OBSOLETE | 7 | .720 | .640 | .500 | 5 | 6 | 5-103414-4 |
| 9 OBSOLETE | 7 | .620 | .540 | .400 | 4 | 5 | 5-103414-3 |
| 9 OBSOLETE | 7 | .520 | .440 | .300 | 3 | 4 | 5-103414-2 |
| 9 OBSOLETE | 7 | .420 | .340 | .200 | 2 | 3 | 5-103414-1 |
| OBSOLETE | 4 | 3.720 | 3.640 | 3.500 | 35 | 36 | 3-103414-4 |
| OBSOLETE | 4 | 3.620 | 3.540 | 3.400 | 34 | 35 | 3-103414-3 |
| OBSOLETE | 4 | 3.520 | 3.440 | 3.300 | 33 | 34 | 3-103414-2 |
| OBSOLETE | 4 | 3.420 | 3.340 | 3.200 | 32 | 33 | 3-103414-1 |
| OBSOLETE | 4 | 3.320 | 3.240 | 3.100 | 31 | 32 | 3-103414-0 |
| OBSOLETE | 4 | 3.220 | 3.140 | 3.000 | 30 | 31 | 2-103414-9 |
| OBSOLETE | 4 | 3.120 | 3.040 | 2.900 | 29 | 30 | 2-103414-8 |
| OBSOLETE | 4 | 3.020 | 2.940 | 2.800 | 28 | 29 | 2-103414-7 |
| OBSOLETE | 4 | 2.920 | 2.840 | 2.700 | 27 | 28 | 2-103414-6 |
| OBSOLETE | 4 | 2.820 | 2.740 | 2.600 | 26 | 27 | 2-103414-5 |
| OBSOLETE | 4 | 2.720 | 2.640 | 2.500 | 25 | 26 | 2-103414-4 |
| 9 OBSOLETE | 4 | 2.620 | 2.540 | 2.400 | 24 | 25 | 2-103414-3 |
| 9 OBSOLETE | 4 | 2.520 | 2.440 | 2.300 | 23 | 24 | 2-103414-2 |
| 9 OBSOLETE | 4 | 2.420 | 2.340 | 2.200 | 22 | 23 | 2-103414-1 |
| 9 OBSOLETE | 4 | 2.320 | 2.240 | 2.100 | 21 | 22 | 2-103414-0 |
| 9 OBSOLETE | 4 | 2.220 | 2.140 | 2.000 | 20 | 21 | 1-103414-9 |
| 9 OBSOLETE | 4 | 2.120 | 2.040 | 1.900 | 19 | 20 | 1-103414-8 |
| 9 OBSOLETE | 4 | 2.020 | 1.940 | 1.800 | 18 | 19 | 1-103414-7 |
| 9 OBSOLETE | 4 | 1.920 | 1.840 | 1.700 | 17 | 18 | 1-103414-6 |
| 9 OBSOLETE | 4 | 1.820 | 1.740 | 1.600 | 16 | 17 | 1-103414-5 |
| 9 OBSOLETE | 4 | 1.720 | 1.640 | 1.500 | 15 | 16 | 1-103414-4 |
| 9 OBSOLETE | 4 | 1.620 | 1.540 | 1.400 | 14 | 15 | 1-103414-3 |
| 9 OBSOLETE | 4 | 1.520 | 1.440 | 1.300 | 13 | 14 | 1-103414-2 |
| 9 OBSOLETE | 4 | 1.420 | 1.340 | 1.200 | 12 | 13 | 1-103414-1 |
| 9 OBSOLETE | 4 | 1.320 | 1.240 | 1.100 | 11 | 12 | 1-103414-0 |
| 9 OBSOLETE | 4 | 1.220 | 1.140 | 1.000 | 10 | 11 | 103414-9 |
| 9 OBSOLETE | 4 | 1.120 | 1.040 | .900 | 9 | 10 | 103414-8 |
| 9 OBSOLETE | 4 | 1.020 | .940 | .800 | 8 | 9 | 103414-7 |
| 9 OBSOLETE | 4 | .920 | .840 | .700 | 7 | 8 | 103414-6 |
| 9 OBSOLETE | 4 | .820 | .740 | .600 | 6 | 7 | 103414-5 |
| 9 OBSOLETE | 4 | .720 | .640 | .500 | 5 | 6 | 103414-4 |
| 9 OBSOLETE | 4 | .620 | .540 | .400 | 4 | 5 | 103414-3 |
| 9 OBSOLETE | 4 | .520 | .440 | .300 | 3 | 4 | 103414-2 |
| 9 OBSOLETE | 4 | .420 | .340 | .200 | 2 | 3 | 103414-1 |

9 SUPERSEDED BY 6-103414-1

THIS DRAWING IS A CONTROLLED DOCUMENT. **STE** TE Connectivity

DIMENSIONS: INCHES. TOLERANCES UNLESS OTHERWISE SPECIFIED:

| | |
|--------|--------|
| 0. PLC | ± .005 |
| 1. PLC | ± .005 |
| 2. PLC | ± .005 |
| 3. PLC | ± .005 |
| 4. PLC | ± .005 |
| ANGLES | ± .005 |

MATERIAL: 8. FINISH: SEE TABLE. WEIGHT: -. SIZE: A1. CASE CODE: 00779. DRAWING NO: 103414. CUSTOMER DRAWING. SCALE: 4:1. SHEET: 1 OF 1. REV: P2.

X-ON Electronics

Largest Supplier of Electrical and Electronic Components

Click to view similar products for [Headers & Wire Housings](#) category:

Click to view products by [TE Connectivity](#) manufacturer:

Other Similar products are found below :

[892-18-020-10-001101](#) [58102-G61-06LF](#) [582553-1](#) [0009485154](#) [009176003701906](#) [0050291907](#) [LY20-4P-DT1-P1E-BR](#) [02.125.8002.8](#)
[609-3404](#) [61062-3](#) [61082-181009](#) [622-3653LF](#) [63453-116](#) [636-1030](#) [636-1427](#) [636-3427](#) [636-4007](#) [641938-9](#) [641991-4](#) [644827-2](#) [65817-](#)
[010LF](#) [65817-015LF](#) [65863-015LF](#) [66207-023LF](#) [67095-007LF](#) [67601157](#) [68645-018](#) [68648-049](#) [70.362.1628.0](#) [70-4210](#) [70-4226B](#) [70-](#)
[4853B](#) [707-5020](#) [707-5028](#) [71.350.2428.0](#) [71918-208LF](#) [71961-016LF](#) [733-134](#) [733-162](#) [754199-000](#) [760-3052](#) [787-8014-00](#) [79531-3000](#)
[FCN-360C032-B](#) [FCN-367T-T012/H](#) [FCN-723D010/2](#) [80.063.4001.1](#) [800-90-001-10-001000](#) [800-90-010-10-002000](#) [801-43-002-10-013000](#)