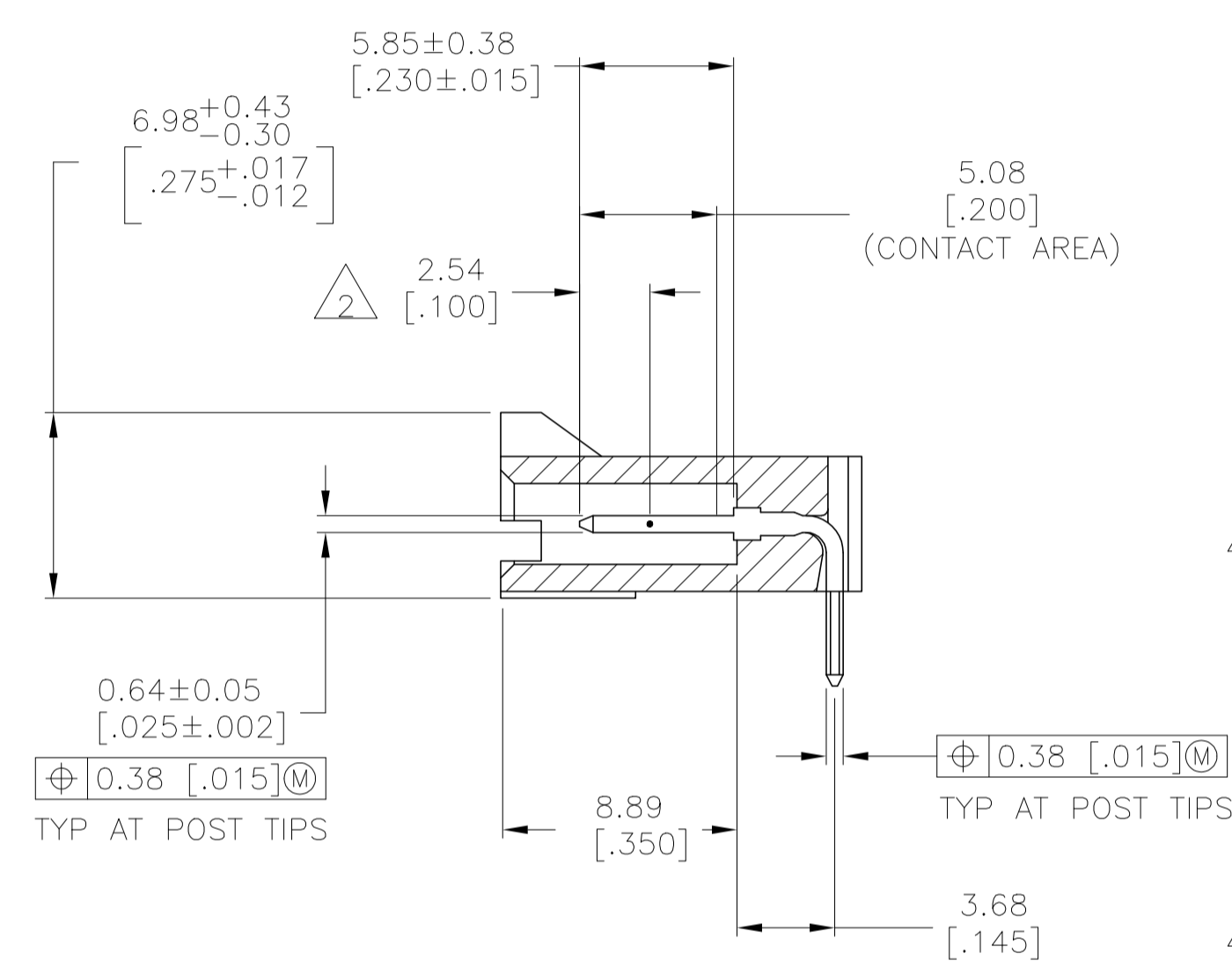
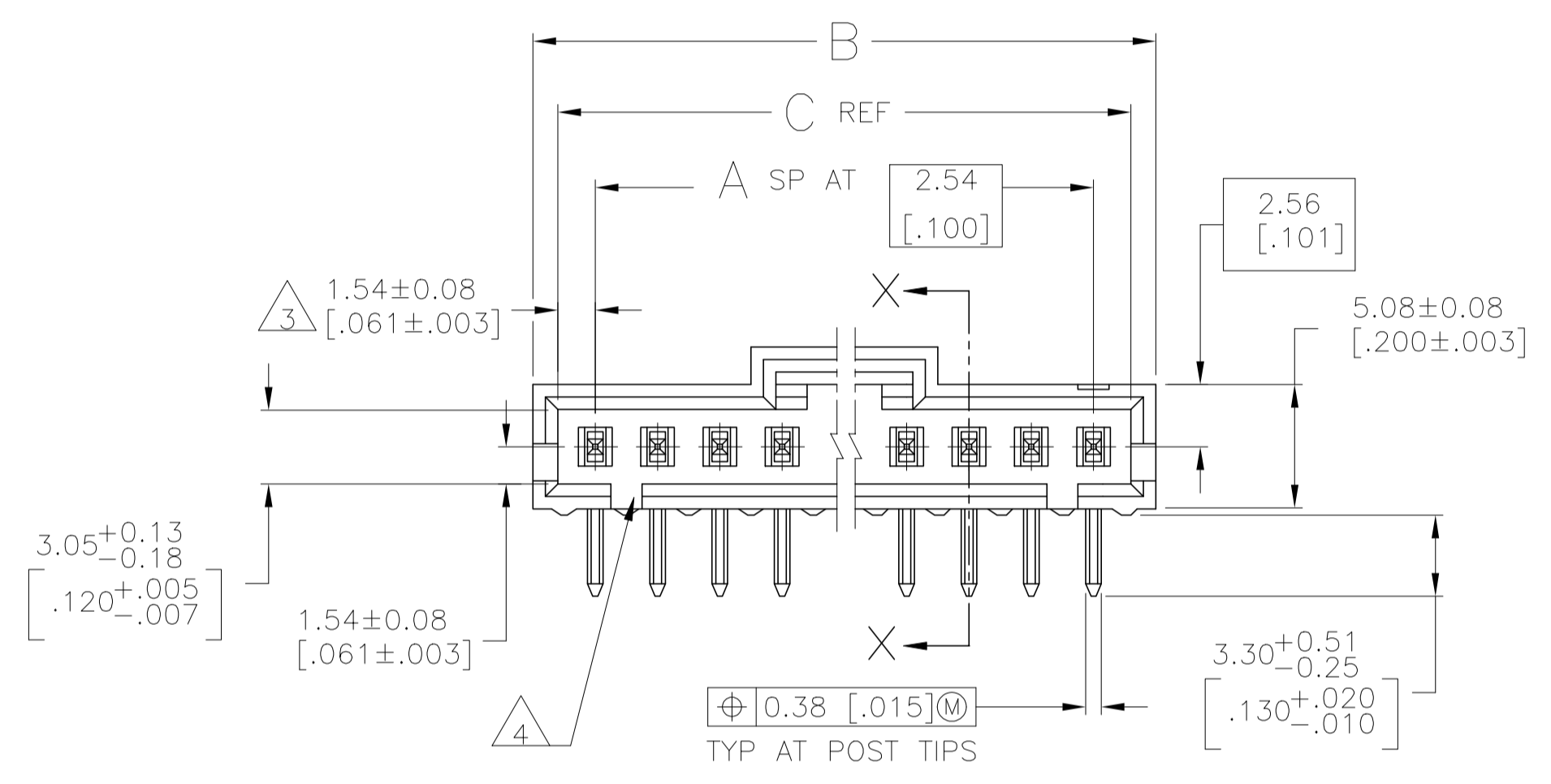
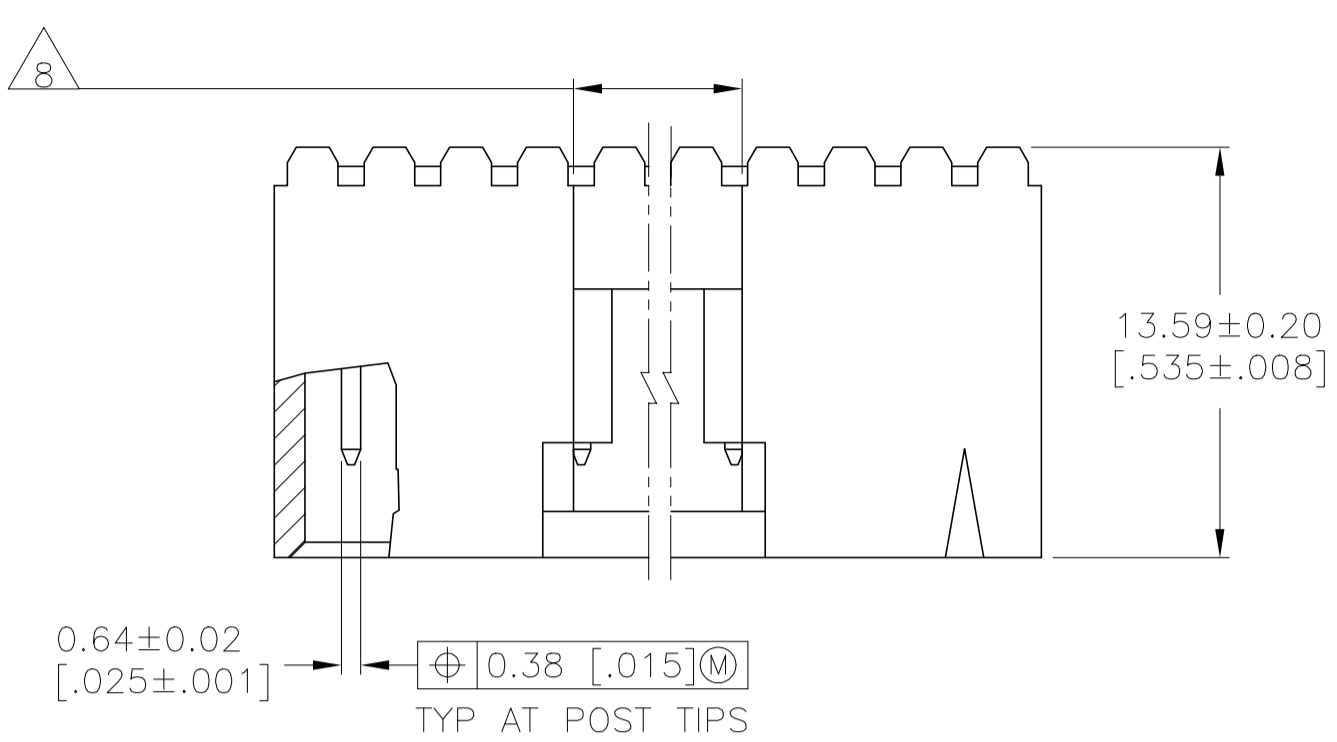
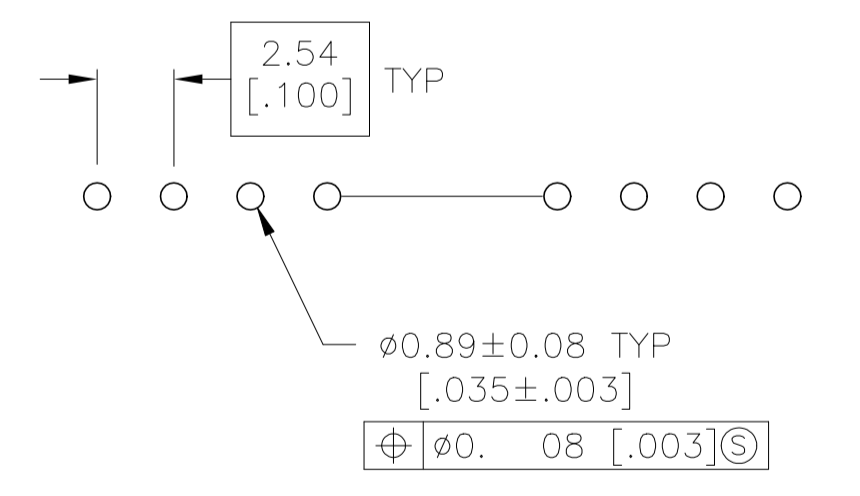


REVISIONS					
P	LTR	DESCRIPTION	DATE	DRN	APVD
T		REVISED PER ECO-17-002584	11APR2017	BDA	MM
U		REVISED PER ECO-20-001323	19JUN2020	SM	JO

- 1 .00038 [.000015] GOLD IN THE CONTACT AREA, .00254 [.000100] MATTE TIN-LEAD ON THE REMAINDER OF CONTACT, ALL OVER .00127 [.000050] NICKEL.
- 2 POINT OF MEASUREMENT FOR PLATING THICKNESS.
- 3 THE NOTED DIMENSIONS APPLY AT THE INTERSECTION OF THE POST AND THE HOUSING.
- 4 ON ASSEMBLIES WITH FOUR OR MORE POSITIONS, TWO POLARIZATION SLOTS. ON ASSEMBLIES WITH TWO OR THREE POSITIONS, ONE POLARIZATION SLOT.
- 5 .00038 [.000015] GOLD IN THE CONTACT AREA, .00254 [.000100] MATTE TIN ON THE REMAINDER OF CONTACT, ALL OVER .00127 [.000050] NICKEL.
- 6 HIGH TEMPERATURE CONFIGURATION
- 7 OBSOLETE PARTS: OBSOLETE CIS STREAMLINING PER D.RENAUD/D.SINISI
- 8 0.25 [.010] RECESS PERMISSIBLE IN THIS AREA FOR MOLD SHUT OFF



SECTION X-X



RECOMMENDED HOLE LAYOUT

7 OBSOLETE

7 SUPERSEDED BY 7-103635-1

7 OBSOLETE

7 OBSOLETE

7 SUPERSEDED BY 6-103635-6

REMARK	PLATING	C	B	A	NO. OF POSN	PART NO.
1		64.01 [2.520]	65.91 [2.595]	24	25	2-103635-4
1		61.47 [2.420]	63.37 [2.495]	23	24	2-103635-3
1		58.93 [2.320]	60.83 [2.395]	22	23	2-103635-2
1		56.39 [2.220]	58.29 [2.295]	21	22	2-103635-1
1		53.85 [2.120]	55.75 [2.195]	20	21	2-103635-0
1		51.31 [2.020]	53.21 [2.095]	19	20	1-103635-9
1		48.77 [1.920]	50.67 [1.995]	18	19	1-103635-8
1		46.23 [1.820]	48.13 [1.895]	17	18	1-103635-7
1		43.69 [1.720]	45.59 [1.795]	16	17	1-103635-6
1		41.15 [1.620]	43.05 [1.695]	15	16	1-103635-5
1		38.61 [1.520]	40.51 [1.595]	14	15	1-103635-4
1		36.07 [1.420]	37.97 [1.495]	13	14	1-103635-3
1		33.53 [1.320]	35.43 [1.395]	12	13	1-103635-2
1		30.99 [1.220]	32.89 [1.295]	11	12	1-103635-1
1		28.45 [1.120]	30.35 [1.195]	10	11	1-103635-0
1		25.91 [1.020]	27.81 [1.095]	9	10	103635-9
1		23.37 [.920]	25.27 [.995]	8	9	103635-8
1		20.83 [.820]	22.73 [.895]	7	8	103635-7
1		18.29 [.720]	20.19 [.795]	6	7	103635-6
1		15.75 [.620]	17.65 [.695]	5	6	103635-5
1		13.21 [.520]	15.11 [.595]	4	5	103635-4
1		10.67 [.420]	12.57 [.495]	3	4	103635-3
1		8.13 [.320]	10.03 [.395]	2	3	103635-2
1		5.59 [.220]	7.49 [.295]	1	2	103635-1

THIS DRAWING IS A CONTROLLED DOCUMENT. DWN S. SHUEY 5-3-91

TO DIMENSIONS UNLESS OTHERWISE SPECIFIED: DIMENSIONS: mm [INCHES]

0 PLC ± -

1 PLC ± -

2 PLC ± -

3 PLC ± .005

4 PLC ± -

ANGLES ± -

MATERIAL: HOLDING: FLAME RETARDANT; LSP: COLOR: BLACK; CONTACTS: BRASS

FINISH: SEE TABLE

DRW L. CASTAGNA 27-3-91

APVD L. CASTAGNA 27-3-91

NAME: L. CASTAGNA

PRODUCT SPEC: 108-25034

APPLICATION SPEC: 114-25026

WEIGHT: -

CUSTOMER DRAWING

SCALE: 4:1

SHEET 1 OF 2

REV U

STE TE Connectivity

HDRASSY,RTANG,SGLEROW  
2.54[.100]C/L,0.64[.025]SOPST,  
WITHPLZN&LATCHING,AMPMODULE

SIZE: A1

CAGE CODE: 00779

DRAWING NO: 103635

THIS DRAWING IS UNPUBLISHED. RELEASED FOR PUBLICATION  
 © COPYRIGHT - By - ALL RIGHTS RESERVED.

REVISIONS					
P	LTR	DESCRIPTION	DATE	DRN	APVD
-	-	SEE SHEET 1	-	-	-

REMARKS	PLATING	C	B	A	NO. OF POSN	PART NO.	
					24	25	7-103635-4
					23	24	7-103635-3
7 OBSOLETE					22	23	<del>7-103635-2</del>
					21	22	7-103635-1
7 OBSOLETE					20	21	<del>7-103635-0</del>
					19	20	6-103635-9
7 OBSOLETE					18	19	<del>6-103635-8</del>
					17	18	6-103635-7
					16	17	6-103635-6
					15	16	6-103635-5
					14	15	6-103635-4
					13	14	6-103635-3
					12	13	6-103635-2
					11	12	6-103635-1
					10	11	6-103635-0
					9	10	5-103635-9
					8	9	5-103635-8
					7	8	5-103635-7
					6	7	5-103635-6
					5	6	5-103635-5
					4	5	5-103635-4
					3	4	5-103635-3
					2	3	5-103635-2
					1	2	5-103635-1

THIS DRAWING IS A CONTROLLED DOCUMENT.		DRN S. SHUEY 5-3-91		DWN L. CASTAGNA 27-3-91		APVD L. CASTAGNA 27-3-91		NAME		TE Connectivity	
DIMENSIONS: mm [INCHES]		TOLERANCES UNLESS OTHERWISE SPECIFIED:		PRODUCT SPEC		APPLICATION SPEC		SIZE		CAGE CODE	
0 PLC ± .01		1 PLC ± .01		108-25034		114-25026		A1		00779	
2 PLC ± .01		3 PLC ± .01		WEIGHT		SCALE		SHEET		REV	
4 PLC ± .01		ANGLES ± .01		CUSTOMER DRAWING		1:1		2		2	
MATERIAL: HOUSING: PLATE RESISTANT; COLOR: BLACK; CONTACTS: BRASS		FINISH: SEE TABLE		DRAWING NO. 103635		RESTRICTED TO		U			

D

C

B

A

D

C

B

A

## X-ON Electronics

Largest Supplier of Electrical and Electronic Components

*Click to view similar products for [Headers & Wire Housings](#) category:*

*Click to view products by [TE Connectivity](#) manufacturer:*

Other Similar products are found below :

[892-18-020-10-001101](#) [58102-G61-06LF](#) [582553-1](#) [0009485154](#) [009176003701906](#) [0050291907](#) [LY20-4P-DT1-P1E-BR](#) [02.125.8002.8](#)  
[609-3404](#) [61062-3](#) [61082-181009](#) [622-3653LF](#) [63453-116](#) [636-1030](#) [636-1427](#) [636-3427](#) [636-4007](#) [641938-9](#) [641991-4](#) [644827-2](#) [65817-](#)  
[010LF](#) [65817-015LF](#) [65863-015LF](#) [66207-023LF](#) [67095-007LF](#) [67601157](#) [68645-018](#) [68648-049](#) [70.362.1628.0](#) [70-4210](#) [70-4226B](#) [70-](#)  
[4853B](#) [707-5020](#) [707-5028](#) [71.350.2428.0](#) [71918-208LF](#) [71961-016LF](#) [733-134](#) [733-162](#) [754199-000](#) [760-3052](#) [787-8014-00](#) [79531-3000](#)  
[FCN-360C032-B](#) [FCN-367T-T012/H](#) [FCN-723D010/2](#) [80.063.4001.1](#) [800-90-001-10-001000](#) [800-90-010-10-002000](#) [801-43-002-10-013000](#)