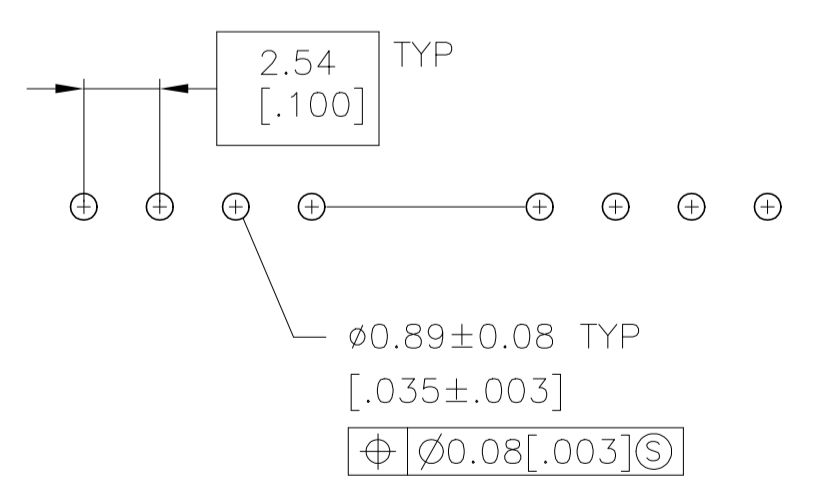
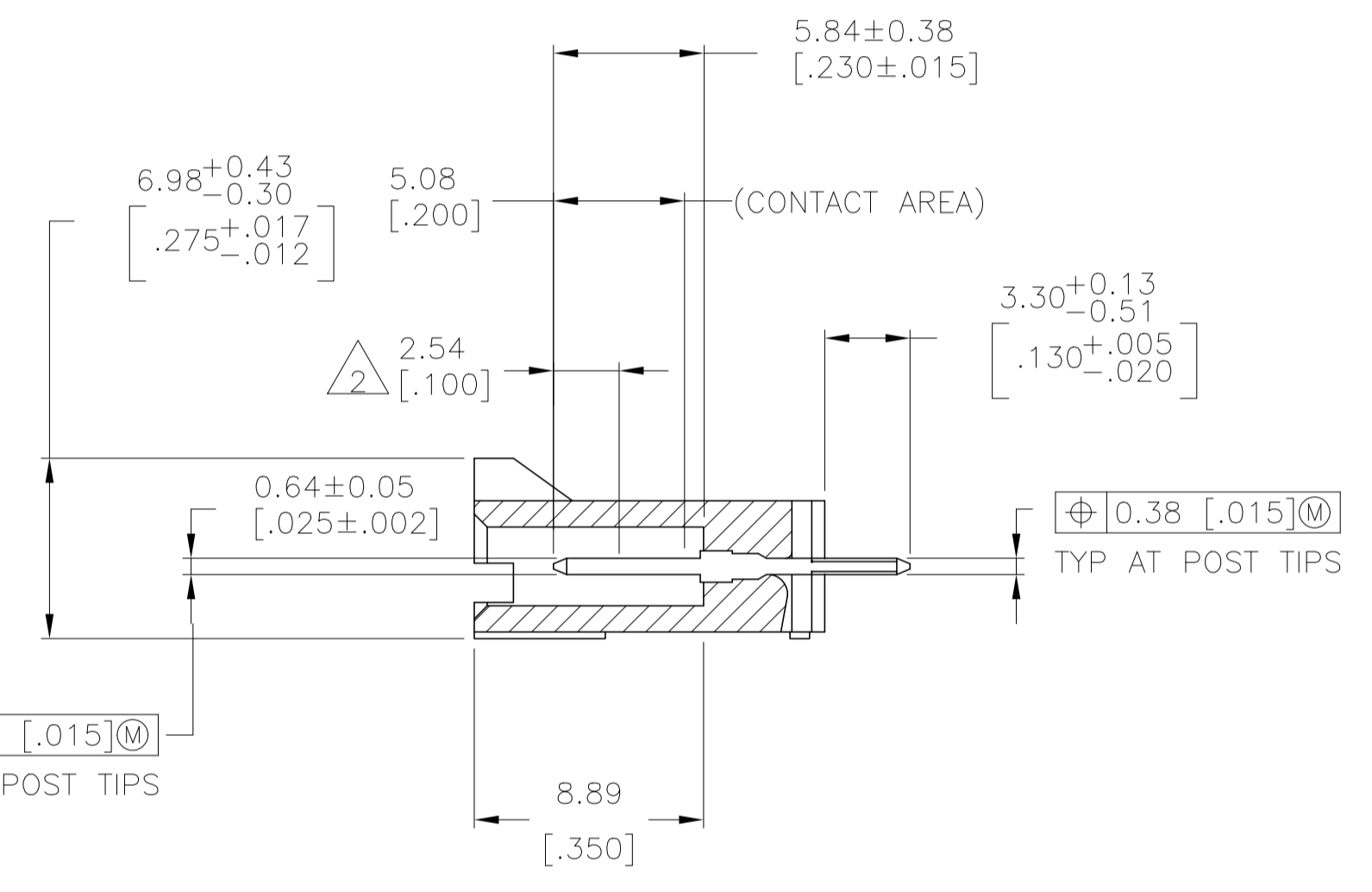
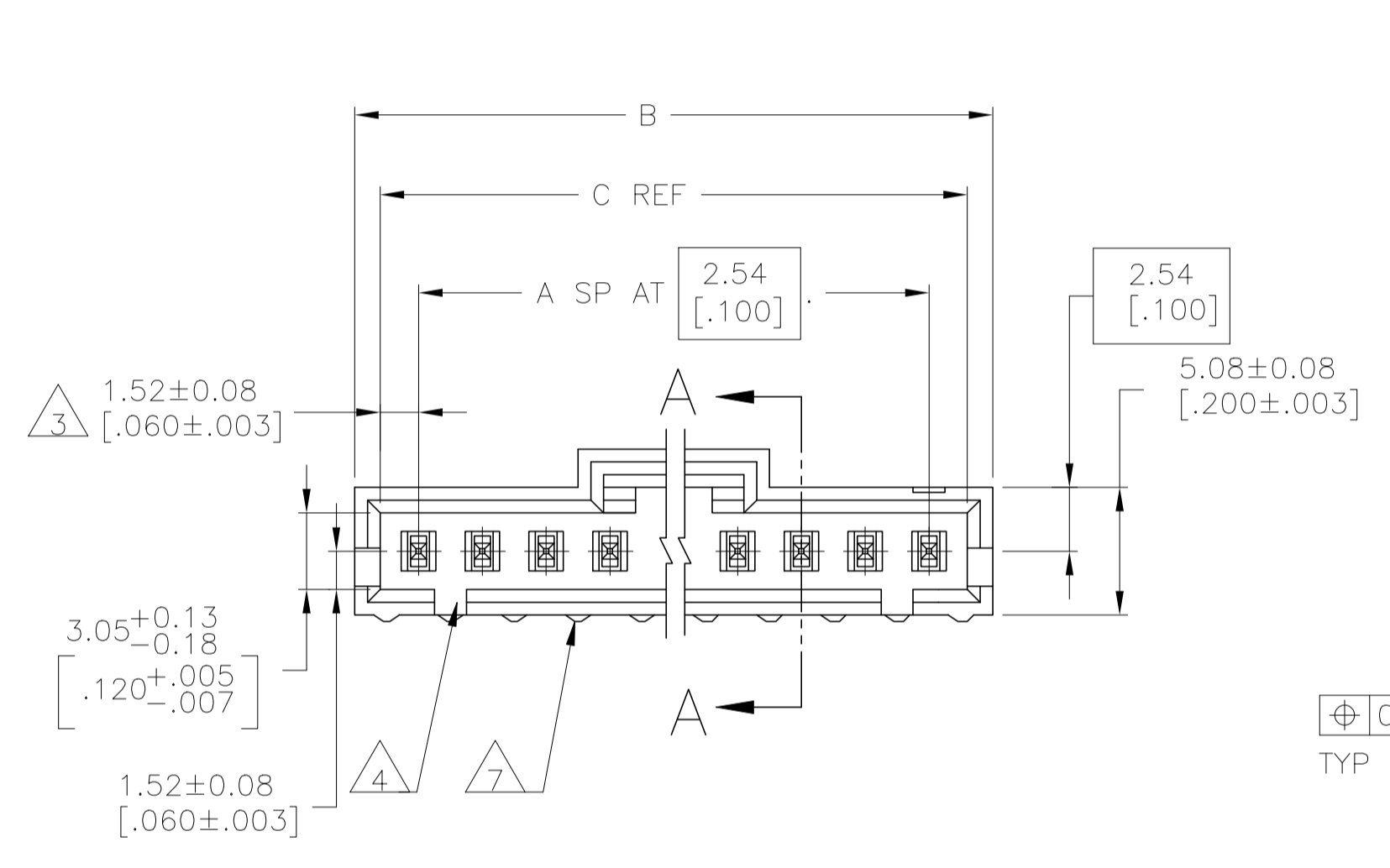
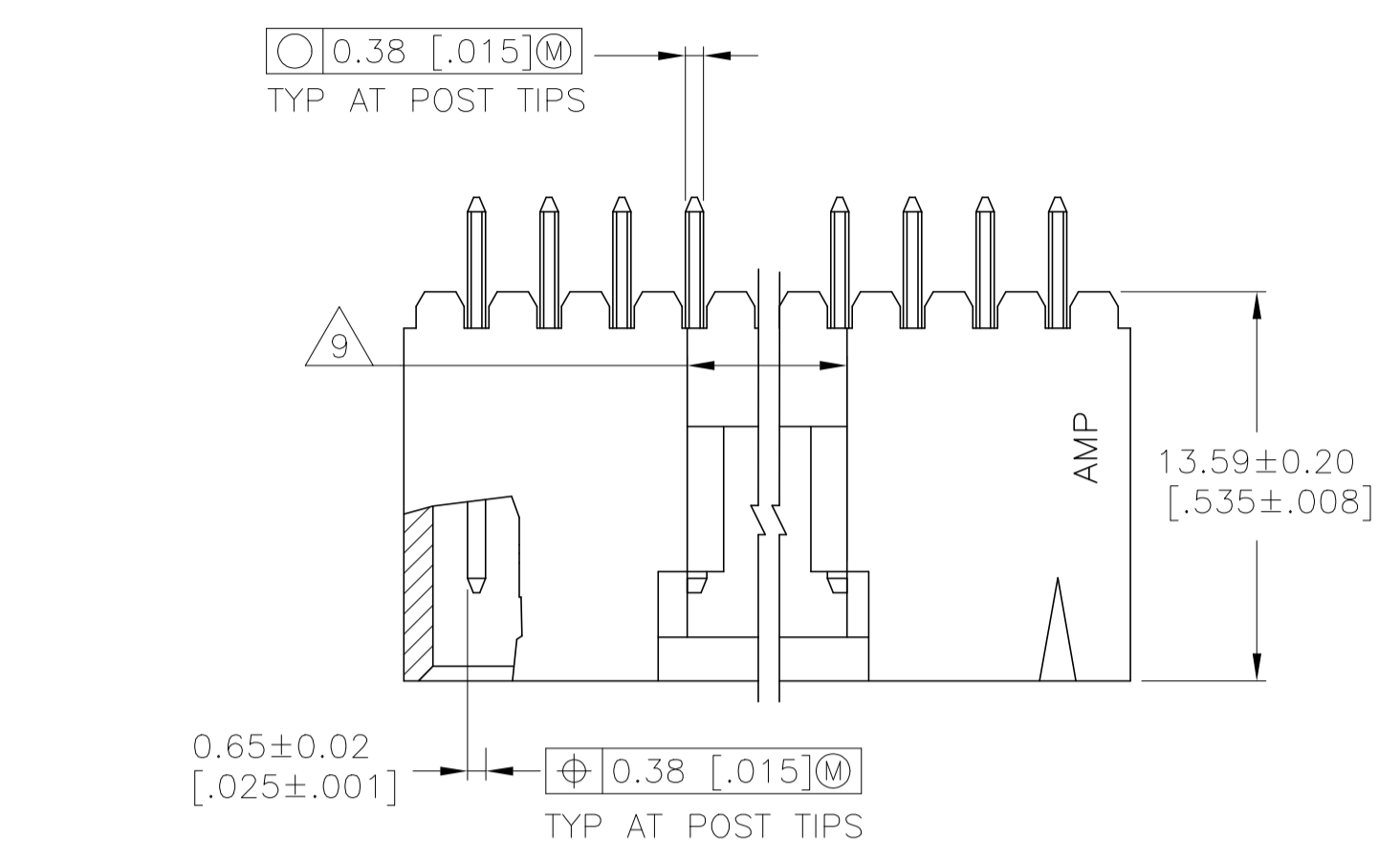


REVISIONS					
P	LTR	DESCRIPTION	DATE	DRN	APVD
V		REVISED PER ECO-17-002209	11APR2017	RS	MM
W		REVISED PER ECO-20-001323	19JUN2020	SM	JO

- 1 .00076[.000030] GOLD IN THE CONTACT AREA, .00254[.000100] MATTE TIN-LEAD ON REMAINDER OF CONTACT, ALL OVER .00127[.000050] NICKEL.
- 2 POINT OF MEASUREMENT FOR PLATING THICKNESS.
- 3 THE NOTED DIMENSIONS APPLY AT THE INTERSECTION OF THE POST AND THE HOUSING.
- 4 ON ASSEMBLIES WITH FOUR OR MORE POSITIONS, TWO POLARIZATION SLOTS. ON ASSEMBLIES WITH TWO OR THREE POSITIONS, ONE POLARIZATION SLOT.
- 5 .00076[.000030] GOLD IN THE CONTACT AREA, .00254[.000100] MATTE TIN ON REMAINDER OF CONTACT, ALL OVER .00127[.000050] NICKEL.
- 6 HIGH TEMPERATURE CONFIGURATION
- 7 STANDOFFS NOT PRESENT ON UNDERSIDE OF ASSEMBLY
- 8 OBSOLETE PARTS: OBSOLETE CIS STREAMLINING PER D.RENAUD/D.SINISI
- 9 0.25 [.010] RECESS PERMISSIBLE IN THIS AREA FOR MOLD SHUT OFF



RECOMMENDED HOLE LAYOUT

REMARKS	PLATING	C	B	A	NO. OF POSN	PART NO.	
		64.01 [2.520]	65.91 [2.595]		24	25	2-103735-4
		61.47 [2.420]	63.37 [2.495]		23	24	2-103735-3
		58.93 [2.320]	60.83 [2.395]		22	23	2-103735-2
		56.39 [2.220]	58.29 [2.295]		21	22	2-103735-1
		53.85 [2.120]	55.75 [2.195]		20	21	2-103735-0
		51.31 [2.020]	53.21 [2.095]		19	20	1-103735-9
		48.77 [1.920]	50.67 [1.995]		18	19	1-103735-8
		46.23 [1.820]	48.13 [1.895]		17	18	1-103735-7
		43.69 [1.720]	45.59 [1.795]		16	17	1-103735-6
		41.15 [1.620]	43.05 [1.695]		15	16	1-103735-5
		38.61 [1.520]	40.51 [1.595]		14	15	1-103735-4
		36.07 [1.420]	37.97 [1.495]		13	14	1-103735-3
		33.53 [1.320]	35.43 [1.395]		12	13	1-103735-2
		30.99 [1.220]	32.89 [1.295]		11	12	1-103735-1
		28.45 [1.120]	30.35 [1.195]		10	11	1-103735-0
		25.91 [1.020]	27.81 [1.095]		9	10	103735-9
		23.37 [.920]	25.27 [0.995]		8	9	103735-8
		20.83 [.820]	22.73 [.895]		7	8	103735-7
		18.29 [.720]	20.19 [.795]		6	7	103735-6
		15.75 [.620]	17.65 [.695]		5	6	103735-5
		13.21 [.520]	15.11 [.595]		4	5	103735-4
		10.67 [.420]	12.57 [.495]		3	4	103735-3
		8.13 [.320]	10.03 [.395]		2	3	103735-2
		5.59 [.220]	7.49 [.295]		1	2	103735-1

THIS DRAWING IS A CONTROLLED DOCUMENT.

DRN: S. SHUEY 3-5-91
 DWG: L. CASTAGNA 3-27-91
 APVD: L. CASTAGNA 3-27-91

STE TE Connectivity

PRODUCT SPEC: HDR ASSY, VERT, SINGLE ROW, 2.54[.100] @ 0.64[.025] SQ POST, WITH PLZN & LATCHING, AMPMODU MTE

APPLICATION SPEC: ---

SCALE: 4:1

REVISIONS: 1 OF 2

DATE: 100779

DRAWING NO: 103735

RESTRICTED TO: ---

CUSTOMER DRAWING

THIS DRAWING IS UNPUBLISHED. RELEASED FOR PUBLICATION
 © COPYRIGHT - By - ALL RIGHTS RESERVED.

REVISIONS				
P	LTR	DESCRIPTION	DATE	APP'D
		SEE SHEET 1	-	-

REMARKS	PLATING	C	B	A	NO. OF POSN	PART NO.
					24	7-103735-4
OBSELETE					23	-7-103735-3
OBSELETE					22	-7-103735-2
OBSELETE					21	-7-103735-1
OBSELETE					20	-7-103735-0
					19	6-103735-9
OBSELETE					18	-6-103735-8
OBSELETE					17	-6-103735-7
					16	6-103735-6
					15	6-103735-5
					14	6-103735-4
					13	6-103735-3
OBSELETE					12	-6-103735-2
					11	6-103735-1
					10	6-103735-0
					9	5-103735-9
					8	5-103735-8
					7	5-103735-7
					6	5-103735-6
					5	5-103735-5
					4	5-103735-4
					3	5-103735-3
					2	5-103735-2
					1	5-103735-1

THIS DRAWING IS A CONTROLLED DOCUMENT. DWN S. SHUEY 3-5-91
 DWK L. CASTAGNA 3-27-91
 APVD L. CASTAGNA 3-27-91

STE TE Connectivity

PRODUCT SPEC: HDR ASSY, VERT, SINGLE ROW
 2.54[.100] @ 0.64[.025] SQ POST,
 WITH PLZN & LATCHING, AMPMODU MTE

SIZE: A1 CAGE CODE: 100779 DRAWING NO: 103735 RESTRICTED TO: -

MATERIAL: HOUSING: PLAME RETARDANT COP COLOUR: BLACK CONTACTS: BRASS FINISH: SEE TABLE WEIGHT: CUSTOMER DRAWING SCALE: 4:1 SHEET: 2 OF 2 REV: W

X-ON Electronics

Largest Supplier of Electrical and Electronic Components

Click to view similar products for [Headers & Wire Housings](#) category:

Click to view products by [TE Connectivity](#) manufacturer:

Other Similar products are found below :

[892-18-020-10-001101](#) [58102-G61-06LF](#) [582553-1](#) [0009485154](#) [009176003701906](#) [0050291907](#) [LY20-4P-DT1-P1E-BR](#) [02.125.8002.8](#)
[609-3404](#) [61062-3](#) [61082-181009](#) [622-3653LF](#) [63453-116](#) [636-1030](#) [636-1427](#) [636-3427](#) [636-4007](#) [641938-9](#) [641991-4](#) [644827-2](#) [65817-](#)
[010LF](#) [65817-015LF](#) [65863-015LF](#) [66207-023LF](#) [67095-007LF](#) [67601157](#) [68645-018](#) [68648-049](#) [70.362.1628.0](#) [70-4210](#) [70-4226B](#) [70-](#)
[4853B](#) [707-5020](#) [707-5028](#) [71.350.2428.0](#) [71918-208LF](#) [71961-016LF](#) [733-134](#) [733-162](#) [754199-000](#) [760-3052](#) [787-8014-00](#) [79531-3000](#)
[FCN-360C032-B](#) [FCN-367T-T012/H](#) [FCN-723D010/2](#) [80.063.4001.1](#) [800-90-001-10-001000](#) [800-90-010-10-002000](#) [801-43-002-10-013000](#)