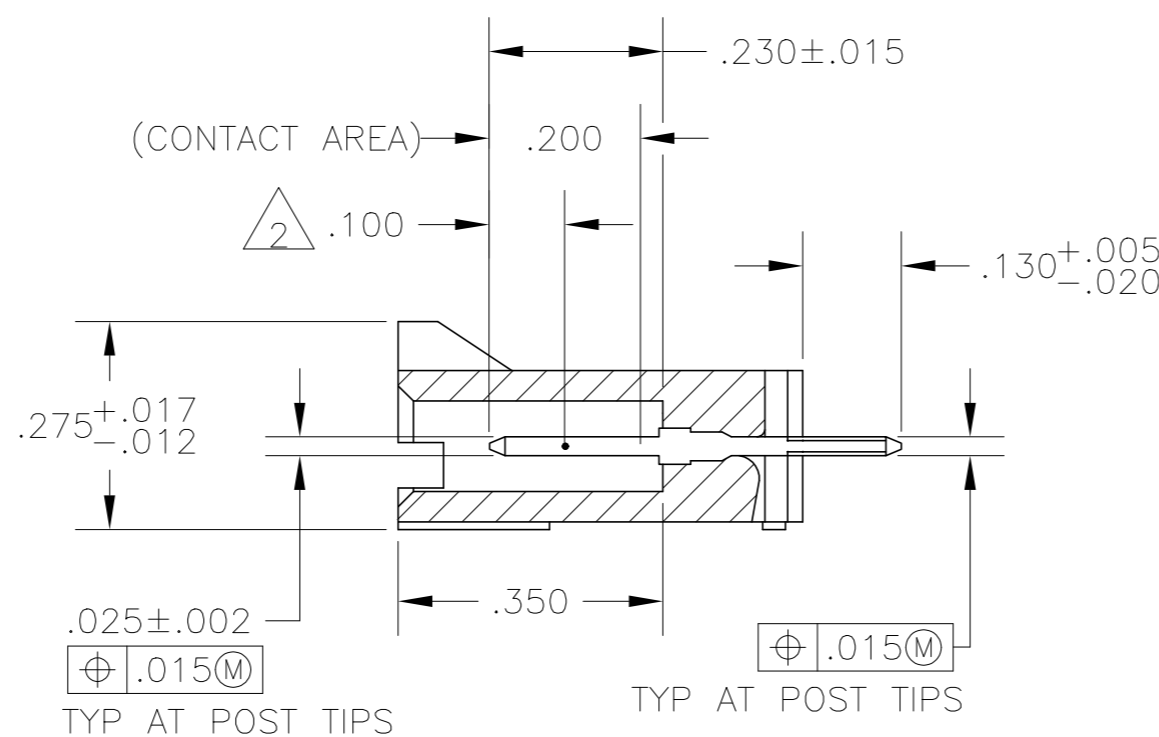
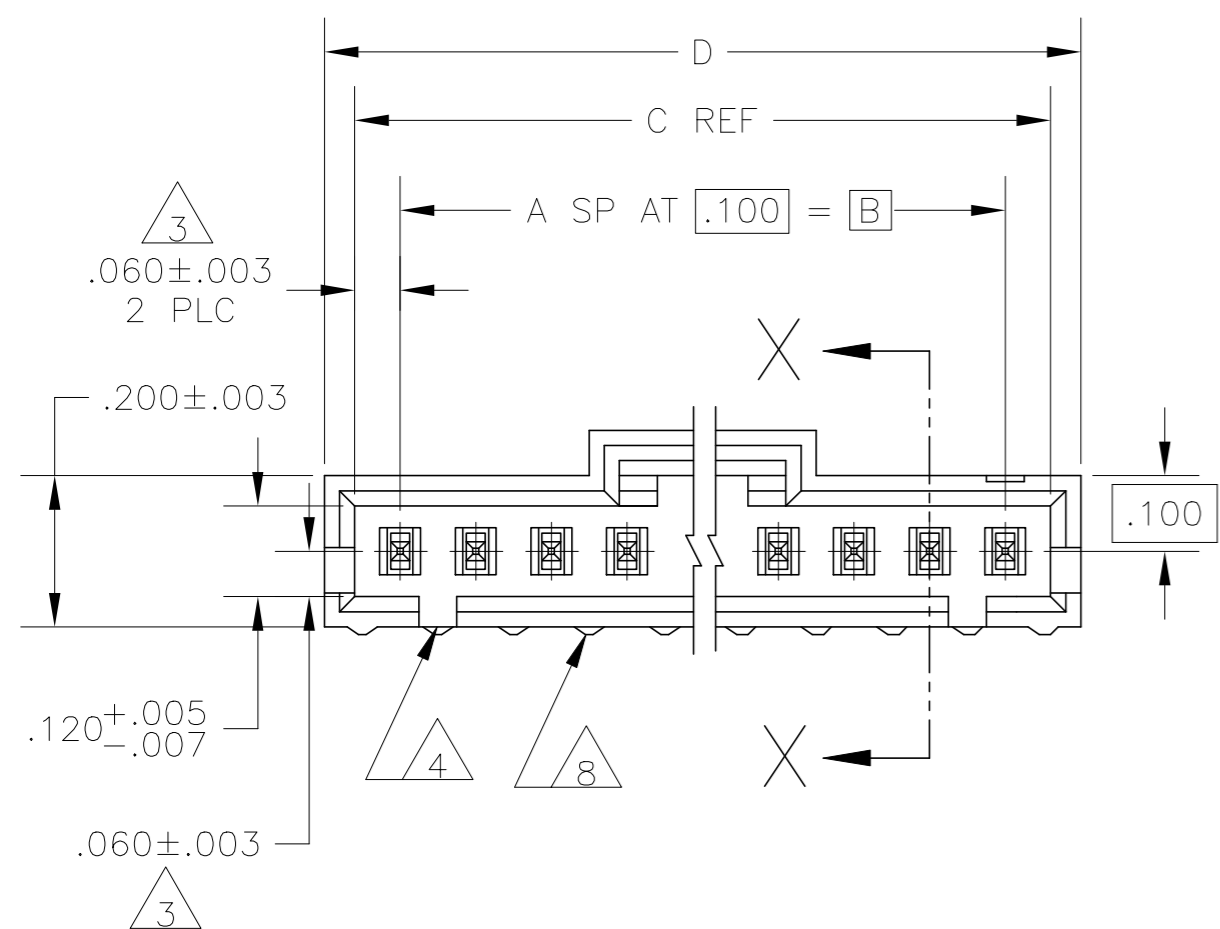
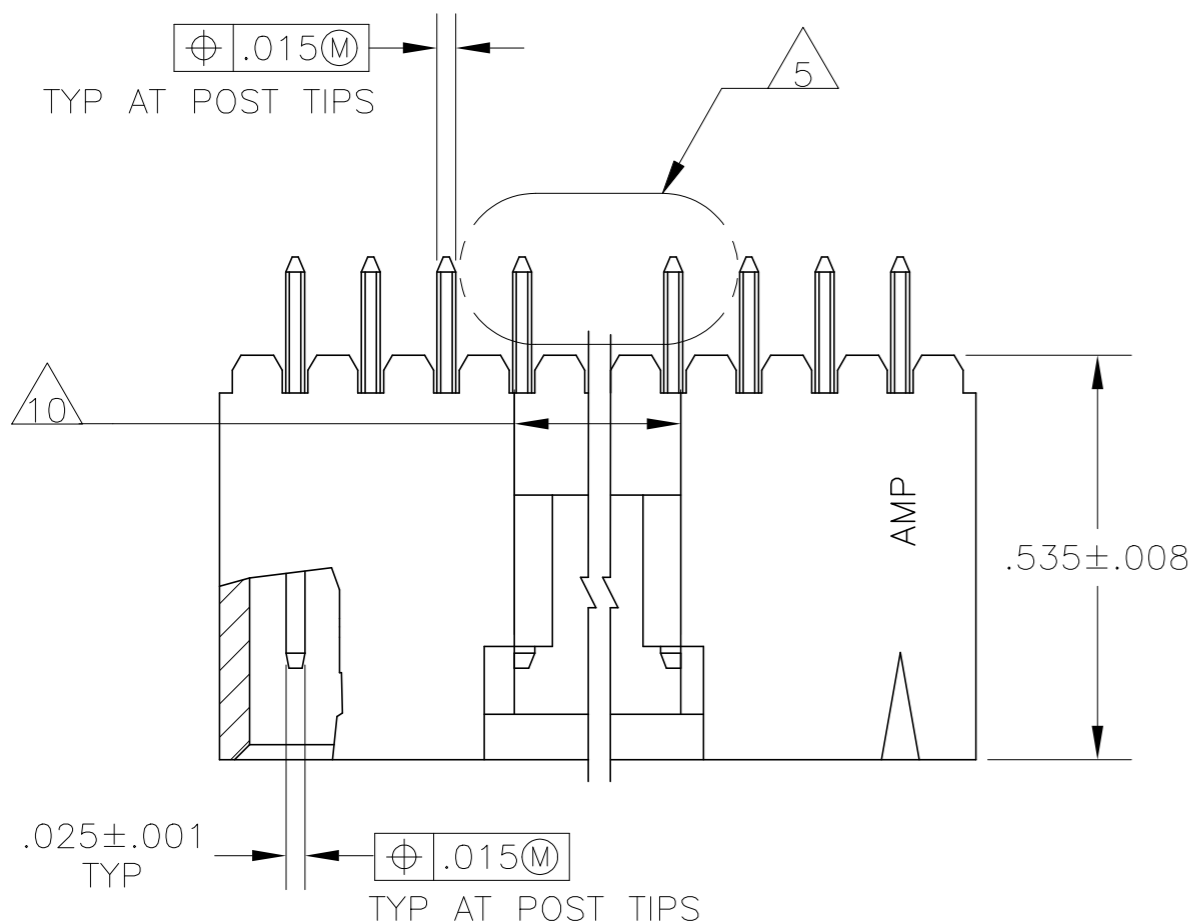


THIS DRAWING IS UNPUBLISHED. RELEASED FOR PUBLICATION  
 © COPYRIGHT - By - ALL RIGHTS RESERVED.

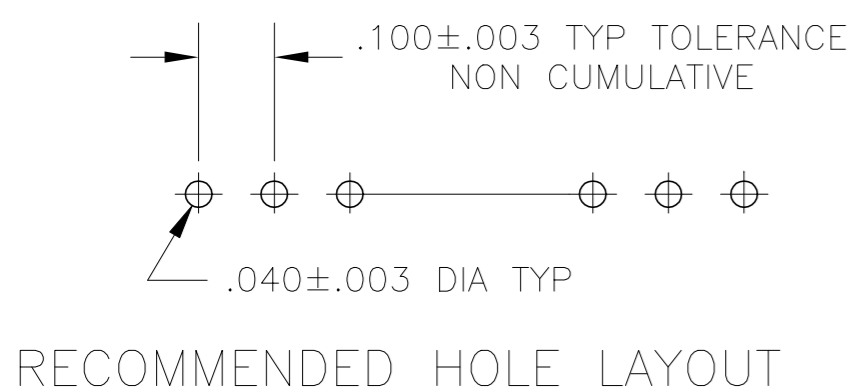
| REVISIONS |     |                           |           |     |      |
|-----------|-----|---------------------------|-----------|-----|------|
| P         | LTR | DESCRIPTION               | DATE      | DWN | APVD |
| R         |     | REVISED PER ECO-17-002209 | 11APR2017 | RS  | MM   |
| S         |     | REVISED PER ECO-20-001323 | 17JUN2020 | SM  | JO   |



SECTION X-X



DETAIL Z  
 POST DETAIL TYP  
 2 POST MINIMUM



- 1 .000030 GOLD IN THE CONTACT AREA, .000100-.000200 MATTE TIN-LEAD ON THE SOLDER TAIL, ALL OVER .000050 NICKEL
- 2 POINT OF MEASUREMENT FOR PLATING THICKNESS
- 3 THESE DIMENSIONS APPLY WHERE THE POST INTERSECTS THE HOUSING
- 4 ON ASSEMBLIES WITH FOUR OR MORE POSITIONS, TWO POLARIZATION SLOTS. ON ASSEMBLIES WITH TWO OR THREE POSITIONS, ONE POLARIZATION SLOT.
- 5 SELECT POST TAILS FORMED TO PROVIDE CONNECTOR HOLD DOWN UNTIL SOLDERED. CONFIGURATION ACCEPTS .027-.080 THICK PRINTED CIRCUIT BOARD. (SEE DETAIL Z)
- 6 .000030 GOLD IN THE CONTACT AREA, .000100-.000200 MATTE TIN ON THE SOLDER TAIL, ALL OVER .000050 NICKEL
- 7 HIGH TEMPERATURE CONFIGURATION
- 8 STANDOFFS NOT PRESENT ON UNDERSIDE OF ASSEMBLY
- 9 OBSOLETE PARTS: OBSOLETE CIS STREAMLINING PER D.RENAUD/D.SINISI
- 10 .010 RECESS PERMISSIBLE IN THIS AREA FOR MOLD SHUT OFF

| REMARKS | PLATING | D | C     | B     | A     | NO OF POSN | ASSEMBLY PART NUMBER |            |
|---------|---------|---|-------|-------|-------|------------|----------------------|------------|
| 9       | 7 8     | 6 | 2.595 | 2.520 | 2.400 | 24         | 25                   | 7-103908-4 |
| 9       | 7 8     | 6 | 2.495 | 2.420 | 2.300 | 23         | 24                   | 7-103908-3 |
| 9       | 7 8     | 6 | 2.395 | 2.320 | 2.200 | 22         | 23                   | 7-103908-2 |
| 9       | 7 8     | 6 | 2.295 | 2.220 | 2.100 | 21         | 22                   | 7-103908-1 |
| 9       | 7 8     | 6 | 2.195 | 2.120 | 2.000 | 20         | 21                   | 7-103908-0 |
| 9       | 7 8     | 6 | 2.095 | 2.020 | 1.900 | 19         | 20                   | 6-103908-9 |
| 9       | 7 8     | 6 | 1.995 | 1.920 | 1.800 | 18         | 19                   | 6-103908-8 |
| 9       | 7 8     | 6 | 1.895 | 1.820 | 1.700 | 17         | 18                   | 6-103908-7 |
| 9       | 7 8     | 6 | 1.795 | 1.720 | 1.600 | 16         | 17                   | 6-103908-6 |
| 9       | 7 8     | 6 | 1.695 | 1.620 | 1.500 | 15         | 16                   | 6-103908-5 |
| 9       | 7 8     | 6 | 1.595 | 1.520 | 1.400 | 14         | 15                   | 6-103908-4 |
| 9       | 7 8     | 6 | 1.495 | 1.420 | 1.300 | 13         | 14                   | 6-103908-3 |
| 9       | 7 8     | 6 | 1.395 | 1.320 | 1.200 | 12         | 13                   | 6-103908-2 |
| 9       | 7 8     | 6 | 1.295 | 1.220 | 1.100 | 11         | 12                   | 6-103908-1 |
| 9       | 7 8     | 6 | 1.195 | 1.120 | 1.000 | 10         | 11                   | 6-103908-0 |
| 9       | 7 8     | 6 | 1.095 | 1.020 | .900  | 9          | 10                   | 5-103908-9 |
| 9       | 7 8     | 6 | .995  | .920  | .800  | 8          | 9                    | 5-103908-8 |
| 9       | 7 8     | 6 | .895  | .820  | .700  | 7          | 8                    | 5-103908-7 |
| 9       | 7 8     | 6 | .795  | .720  | .600  | 6          | 7                    | 5-103908-6 |
| 9       | 7 8     | 6 | .695  | .620  | .500  | 5          | 6                    | 5-103908-5 |
| 9       | 7 8     | 6 | .595  | .520  | .400  | 4          | 5                    | 5-103908-4 |
| 9       | 7 8     | 6 | .495  | .420  | .300  | 3          | 4                    | 5-103908-3 |
| 9       | 7 8     | 6 | .395  | .320  | .200  | 2          | 3                    | 5-103908-2 |
| 9       | 7 8     | 6 | .295  | .220  | .100  | 1          | 2                    | 5-103908-1 |
| 9       | 8       | 1 | 2.595 | 2.520 | 2.400 | 24         | 25                   | 2-103908-4 |
| 9       | 8       | 1 | 2.495 | 2.420 | 2.300 | 23         | 24                   | 2-103908-3 |
| 9       | 8       | 1 | 2.395 | 2.320 | 2.200 | 22         | 23                   | 2-103908-2 |
| 9       | 8       | 1 | 2.295 | 2.220 | 2.100 | 21         | 22                   | 2-103908-1 |
| 9       | 8       | 1 | 2.195 | 2.120 | 2.000 | 20         | 21                   | 2-103908-0 |
| 9       | 8       | 1 | 2.095 | 2.020 | 1.900 | 19         | 20                   | 1-103908-9 |
| 9       | 8       | 1 | 1.995 | 1.920 | 1.800 | 18         | 19                   | 1-103908-8 |
| 9       | 8       | 1 | 1.895 | 1.820 | 1.700 | 17         | 18                   | 1-103908-7 |
| 9       | 8       | 1 | 1.795 | 1.720 | 1.600 | 16         | 17                   | 1-103908-6 |
| 9       | 8       | 1 | 1.695 | 1.620 | 1.500 | 15         | 16                   | 1-103908-5 |
| 9       | 8       | 1 | 1.595 | 1.520 | 1.400 | 14         | 15                   | 1-103908-4 |
| 9       | 8       | 1 | 1.495 | 1.420 | 1.300 | 13         | 14                   | 1-103908-3 |
| 9       | 8       | 1 | 1.395 | 1.320 | 1.200 | 12         | 13                   | 1-103908-2 |
| 9       | 8       | 1 | 1.295 | 1.220 | 1.100 | 11         | 12                   | 1-103908-1 |
| 9       | 8       | 1 | 1.195 | 1.120 | 1.000 | 10         | 11                   | 1-103908-0 |
| 9       | 8       | 1 | 1.095 | 1.020 | .900  | 9          | 10                   | 103908-9   |
| 9       | 8       | 1 | .995  | .920  | .800  | 8          | 9                    | 103908-8   |
| 9       | 8       | 1 | .895  | .820  | .700  | 7          | 8                    | 103908-7   |
| 9       | 8       | 1 | .795  | .720  | .600  | 6          | 7                    | 103908-6   |
| 9       | 8       | 1 | .695  | .620  | .500  | 5          | 6                    | 103908-5   |
| 9       | 8       | 1 | .595  | .520  | .400  | 4          | 5                    | 103908-4   |
| 9       | 8       | 1 | .495  | .420  | .300  | 3          | 4                    | 103908-3   |
| 9       | 8       | 1 | .395  | .320  | .200  | 2          | 3                    | 103908-2   |
| 9       | 8       | 1 | .295  | .220  | .100  | 1          | 2                    | 103908-1   |

THIS DRAWING IS A CONTROLLED DOCUMENT.

DIMENSIONS: INCHES

TOLERANCES UNLESS OTHERWISE SPECIFIED:

|        |        |
|--------|--------|
| 0 PLC  | ± -    |
| 1 PLC  | ± -    |
| 2 PLC  | ± -    |
| 3 PLC  | ± .005 |
| 4 PLC  | ± -    |
| ANGLES | ± -    |

MATERIAL HOUSING: FLAME RETARDANT LCP COLOR-BLACK CONTACTS-BRASS

FINISH: SEE TABLE

APVD: PG deJONG 7-28-86

NAME: PG deJONG

PRODUCT SPEC: -

APPLICATION SPEC: -

WEIGHT: -

CUSTOMER DRAWING

SCALE: 4:1

SHEET: 1 of 1

REV: S

TE Connectivity

HEADER ASSY, AMPMODU MTE, VERTICAL, SINGLE ROW, .100 CL, .025 SQ POSTS WITH LATCH & RETENTIVE POSTS

SIZE: A2 CAGE CODE: 00779 DRAWING NO: C=103908

## X-ON Electronics

Largest Supplier of Electrical and Electronic Components

*Click to view similar products for [Headers & Wire Housings](#) category:*

*Click to view products by [TE Connectivity](#) manufacturer:*

Other Similar products are found below :

[892-18-020-10-001101](#) [58102-G61-06LF](#) [582553-1](#) [0009485154](#) [009176003701906](#) [0050291907](#) [LY20-4P-DT1-P1E-BR](#) [02.125.8002.8](#)  
[609-3404](#) [61062-3](#) [61082-181009](#) [622-3653LF](#) [63453-116](#) [636-1030](#) [636-1427](#) [636-3427](#) [636-4007](#) [641938-9](#) [641991-4](#) [644827-2](#) [65817-](#)  
[010LF](#) [65817-015LF](#) [65863-015LF](#) [66207-023LF](#) [67095-007LF](#) [67601157](#) [68645-018](#) [68648-049](#) [70.362.1628.0](#) [70-4210](#) [70-4226B](#) [70-](#)  
[4853B](#) [707-5020](#) [707-5028](#) [71.350.2428.0](#) [71918-208LF](#) [71961-016LF](#) [733-134](#) [733-162](#) [754199-000](#) [760-3052](#) [79531-3000](#) [FCN-](#)  
[360C032-B](#) [FCN-367T-T012/H](#) [FCN-723D010/2](#) [80.063.4001.1](#) [800-90-010-10-002000](#) [801-43-002-10-013000](#) [801-43-006-10-002000](#)  
[801-93-011-10-001000](#)