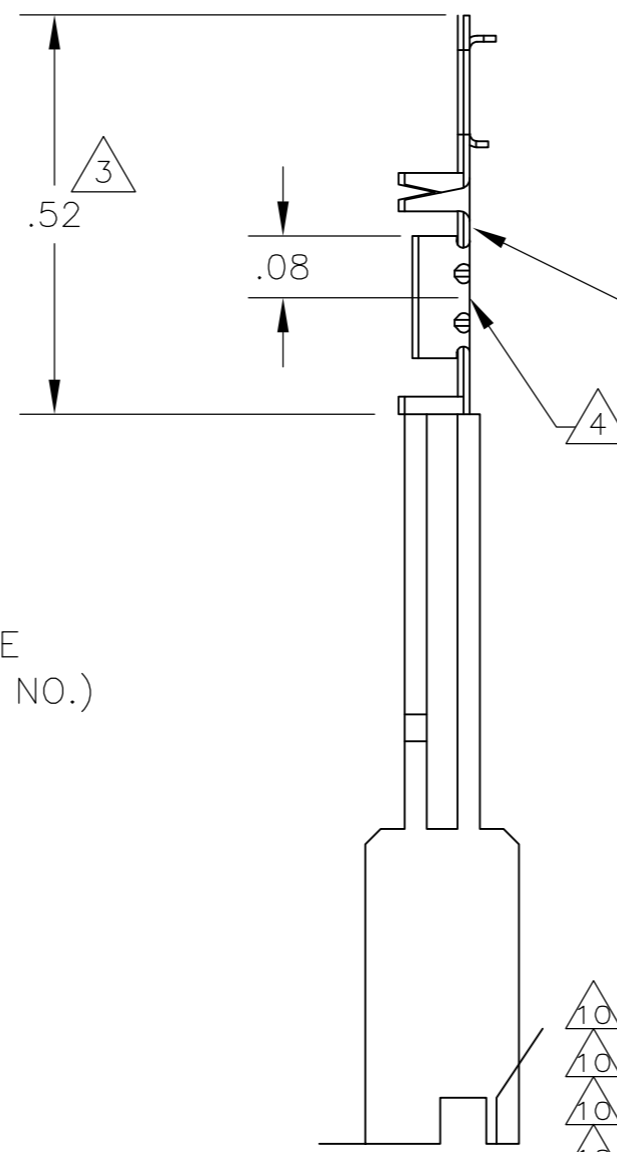
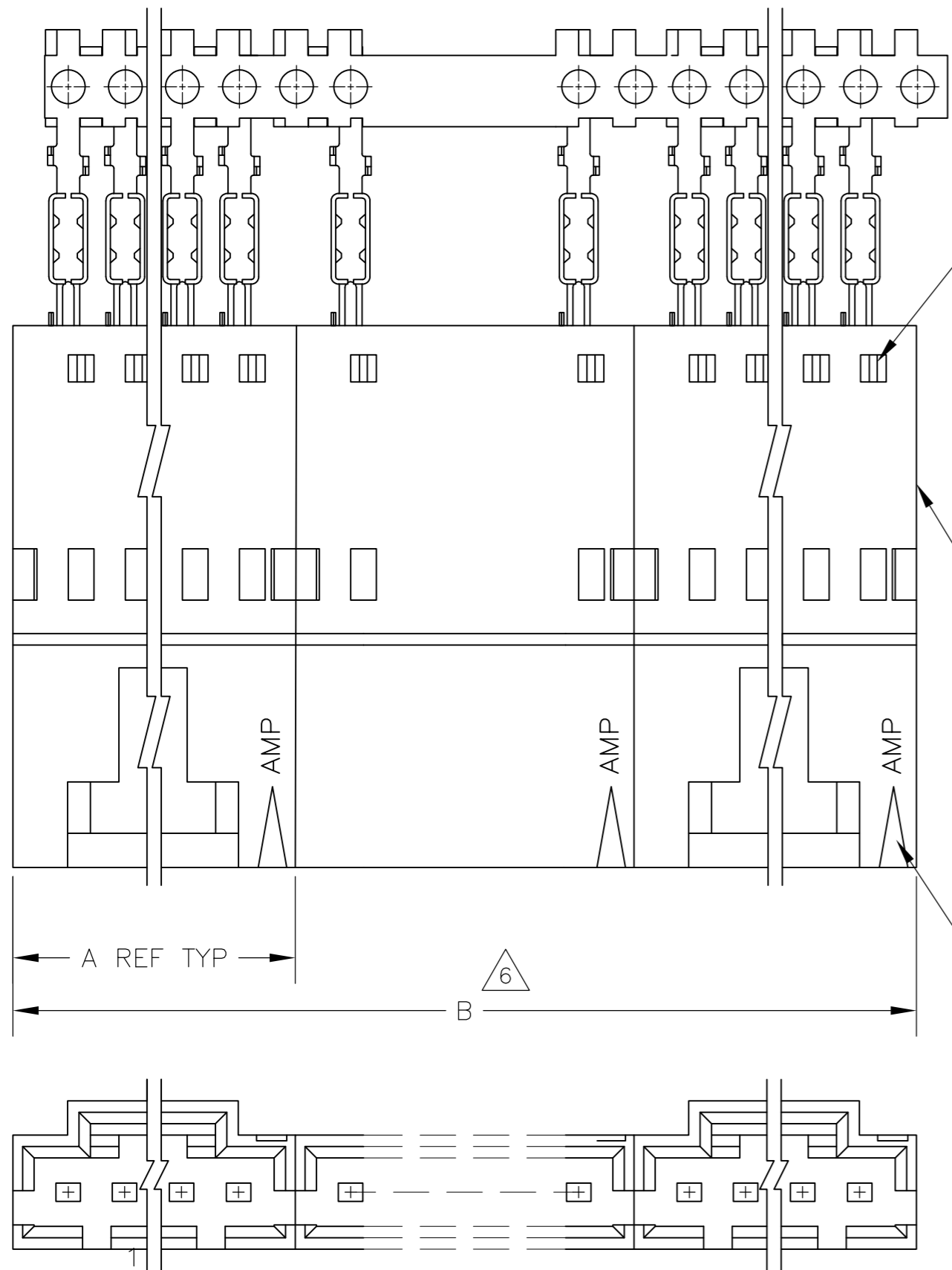


THIS DRAWING IS UNPUBLISHED. RELEASED FOR PUBLICATION
 © COPYRIGHT BY TYCO ELECTRONICS CORPORATION. ALL RIGHTS RESERVED.

LOC	DIST	REVISIONS			
P	LTR	DESCRIPTION	DATE	DWN	APVD
J		EC 0G3C 0766 04	28DEC04	BSV	-
J1		REVISED PER ECO-09-020689	29AUG09	KK	AEG



CONTACT IDENTIFICATION LETTER "C" (LOCATED IN THIS AREA)

HOUSING (SEE TABLE FOR PART NO.)

POSITION #1 INDICATOR

△10	OBSOLETE	△9	2	2.59	1.295	1-103653-1	12	6-103947-1
△10	OBSOLETE	△9	2	2.39	1.195	1-103653-0	11	6-103947-0
△10	OBSOLETE	△9	2	2.19	1.095	103653-9	10	5-103947-9
△10	OBSOLETE	△9	2	1.99	.995	103653-8	9	5-103947-8
		△9	2	1.79	.895	103653-7	8	5-103947-7
△10	OBSOLETE	△9	3	2.39	.795	103653-6	7	5-103947-6
△10	OBSOLETE	△9	2	1.39	.695	103653-5	6	5-103947-5
△10	OBSOLETE	△9	4	2.38	.595	103653-4	5	5-103947-4
		△9	4	1.98	.495	103653-3	4	5-103947-3
		△9	5	1.98	.395	103653-2	3	5-103947-2
		△9	8	2.36	.295	103653-1	2	5-103947-1
△10	OBSOLETE	△8	2	2.59	1.295	1-103653-1	12	1-103947-1
△10	OBSOLETE	△8	2	2.39	1.195	1-103653-0	11	1-103947-0
△10	OBSOLETE	△8	2	2.19	1.095	103653-9	10	103947-9
△10	OBSOLETE	△8	2	1.99	.995	103653-8	9	103947-8
△10	SUPERSEDED	△8	2	1.79	.895	103653-7	8	103947-7
△10	OBSOLETE	△8	3	2.39	.795	103653-6	7	103947-6
		△8	2	1.39	.695	103653-5	6	103947-5
△10	OBSOLETE	△8	4	2.38	.595	103653-4	5	103947-4
		△8	4	1.98	.495	103653-3	4	103947-3
		△8	5	1.98	.395	103653-2	3	103947-2
		△8	8	2.36	.295	103653-1	2	103947-1
PLATING	△6	B	A	HOUSING PART NUMBER	NO OF POSN	ASSEMBLY PART NUMBER ON STRIP		

- △1 CONTACTS ARE LATCHED INTO THE PRELOAD WINDOWS
- △2 USE WITH #26-#30 AWG WIRE SIZE, .054/.030 INSULATION DIAMETER, .015 MAXIMUM INSULATION THICKNESS
- △3 THE DIMENSION APPLIES WITH THE FORWARD PRELOAD STOP IN CONTACT WITH THE HOUSING SURFACE
- △4 POINT OF MEASUREMENT FOR PLATING THICKNESS
- 5 FOR INDIVIDUAL ASSEMBLIES SEE PART NUMBER 103659
- △6 ASSEMBLIES ARE JOINED BY THE CARRIER STRIP. ORDER QUANTITY REFLECTS TOTAL NUMBER OF INDIVIDUAL ASSEMBLIES REQUIRED. SEE TABLE FOR NUMBER OF ASSEMBLIES PER STRIP.
- △7 MATERIAL- HOUSING: FLAME RETARDANT THERMOPLASTIC, COLOR: BLACK PINS: PHOS. BRONZE
- △8 FINISH- PINS: .000100-.000200 BRIGHT TIN-LEAD OVER .000050 NICKEL.
- △9 FINISH- PINS: .000100-.000200 MATTE TIN OVER .000050 NICKEL.
- △10 OBSOLETE PARTS: OBSOLETE CIS STREAMLINING PER D.RENAUD/D.SINISI

THIS DRAWING IS A CONTROLLED DOCUMENT.

DWN	R BROWN	26JUL00	Tyco Electronics Corporation Harrisburg, Pa 17105-3608
CHK	K WRIGHT	26JUL00	
APVD	K WRIGHT	26JUL00	
PRODUCT SPEC	108-25034		
APPLICATION SPEC	114-25026		NAME SHROUDED PIN ASSY, AMPMODU MTE, SINGLE ROW, .100 CL, POLARIZED, W/ LATCH WINDOWS, FOR #26-#30 AWG WIRE SIZE, STRIP FORM
MATERIAL	△7	SEE TABLE	SIZE A2
FINISH			CAGE CODE 00779
			DRAWING NO C=103947
			RESTRICTED TO -
CUSTOMER DRAWING			SCALE 4:1 SHEET 1 OF 1 REV J1

X-ON Electronics

Largest Supplier of Electrical and Electronic Components

Click to view similar products for [Headers & Wire Housings](#) category:

Click to view products by [TE Connectivity](#) manufacturer:

Other Similar products are found below :

[892-18-020-10-001101](#) [58102-G61-06LF](#) [582553-1](#) [0009485154](#) [009176003701906](#) [0050291907](#) [LY20-4P-DT1-P1E-BR](#) [02.125.8002.8](#)
[609-3404](#) [61062-3](#) [61082-181009](#) [622-3653LF](#) [63453-116](#) [636-1030](#) [636-1427](#) [636-3427](#) [636-4007](#) [641938-9](#) [641991-4](#) [644827-2](#) [65817-010LF](#) [65817-015LF](#) [65863-015LF](#) [66207-023LF](#) [67095-007LF](#) [67601157](#) [68645-018](#) [68648-049](#) [70.362.1628.0](#) [70-4210](#) [70-4226B](#) [70-4853B](#) [707-5020](#) [707-5028](#) [71.350.2428.0](#) [71918-208LF](#) [71961-016LF](#) [733-134](#) [733-162](#) [754199-000](#) [760-3052](#) [787-8014-00](#) [79531-3000](#)
[FCN-360C032-B](#) [FCN-367T-T012/H](#) [FCN-723D010/2](#) [80.063.4001.1](#) [800-90-001-10-001000](#) [800-90-010-10-002000](#) [801-43-002-10-013000](#)