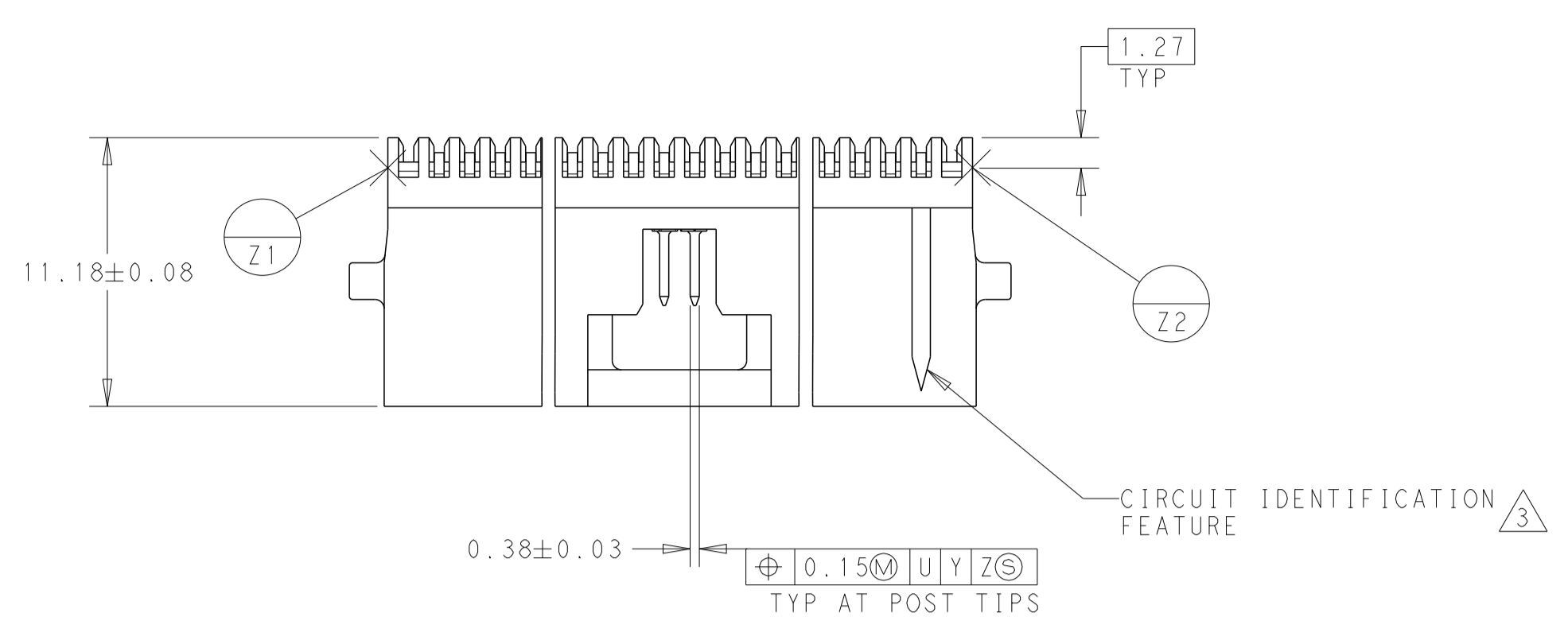
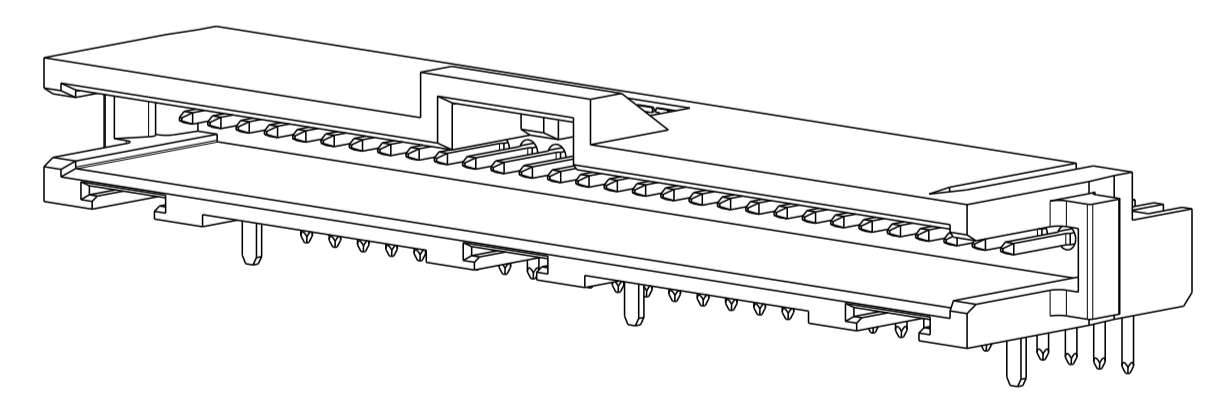
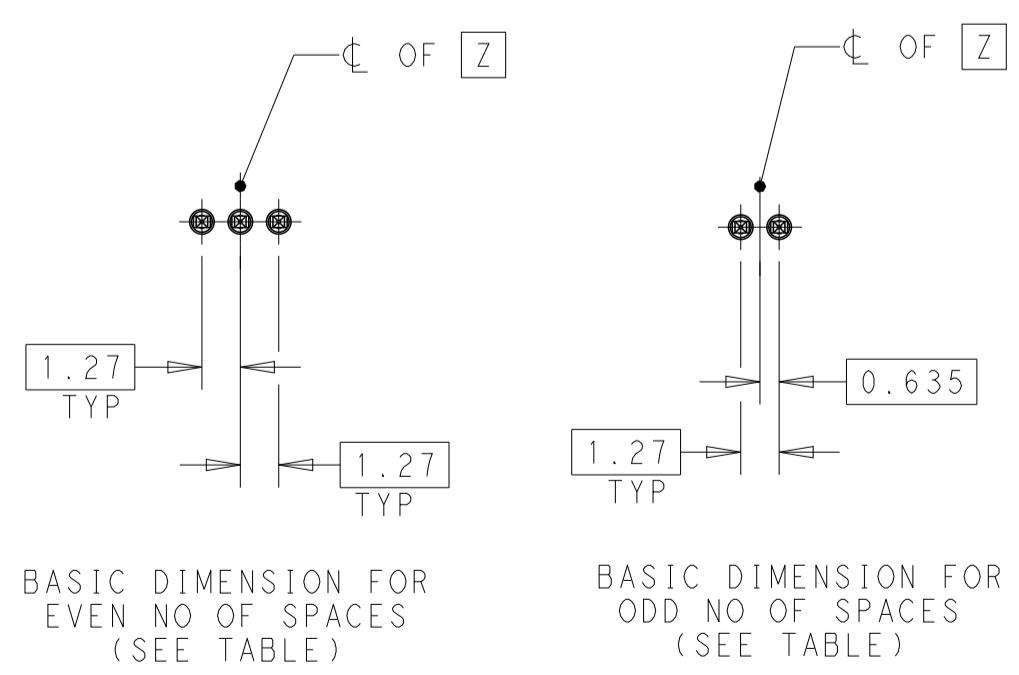
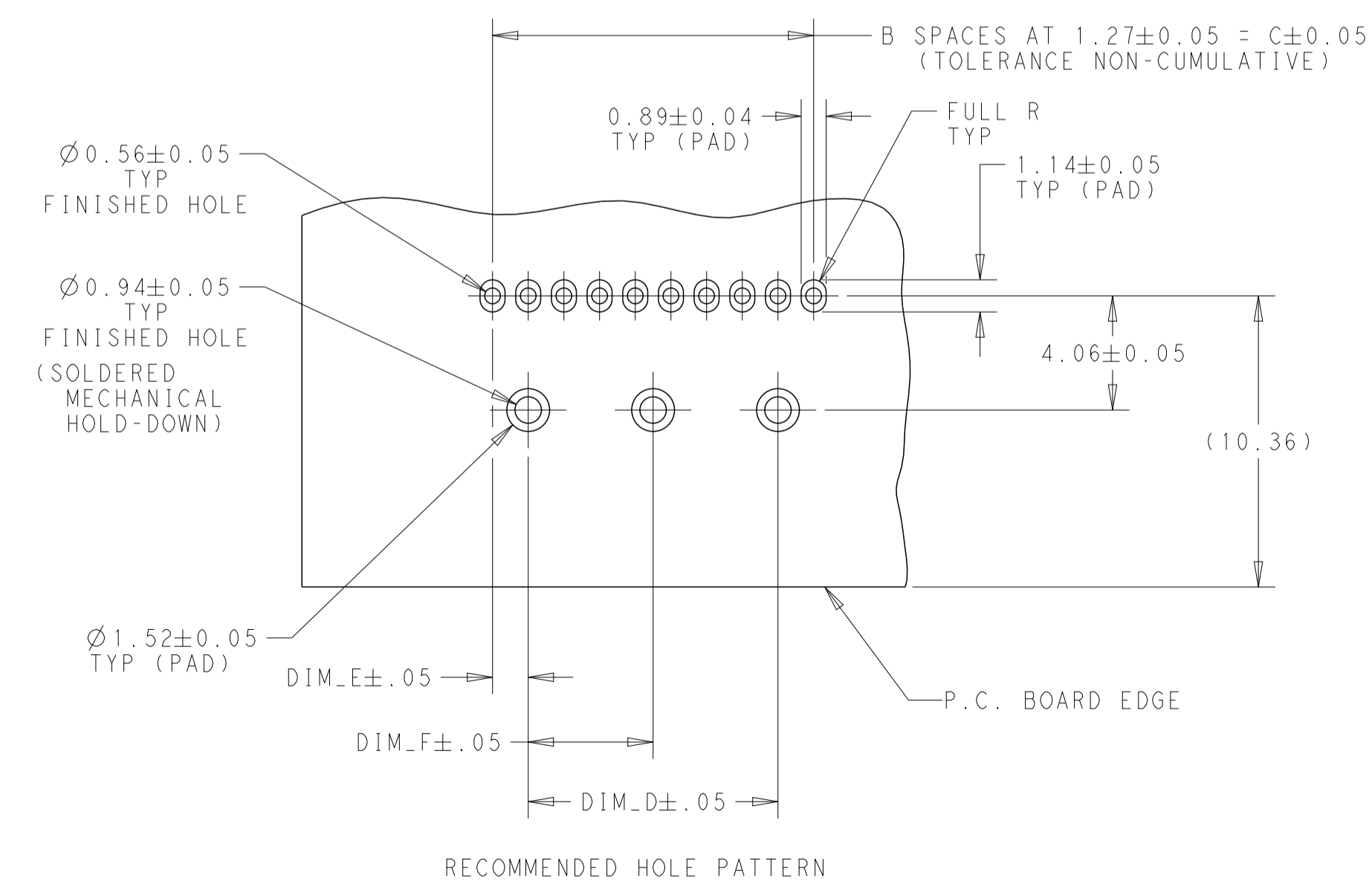
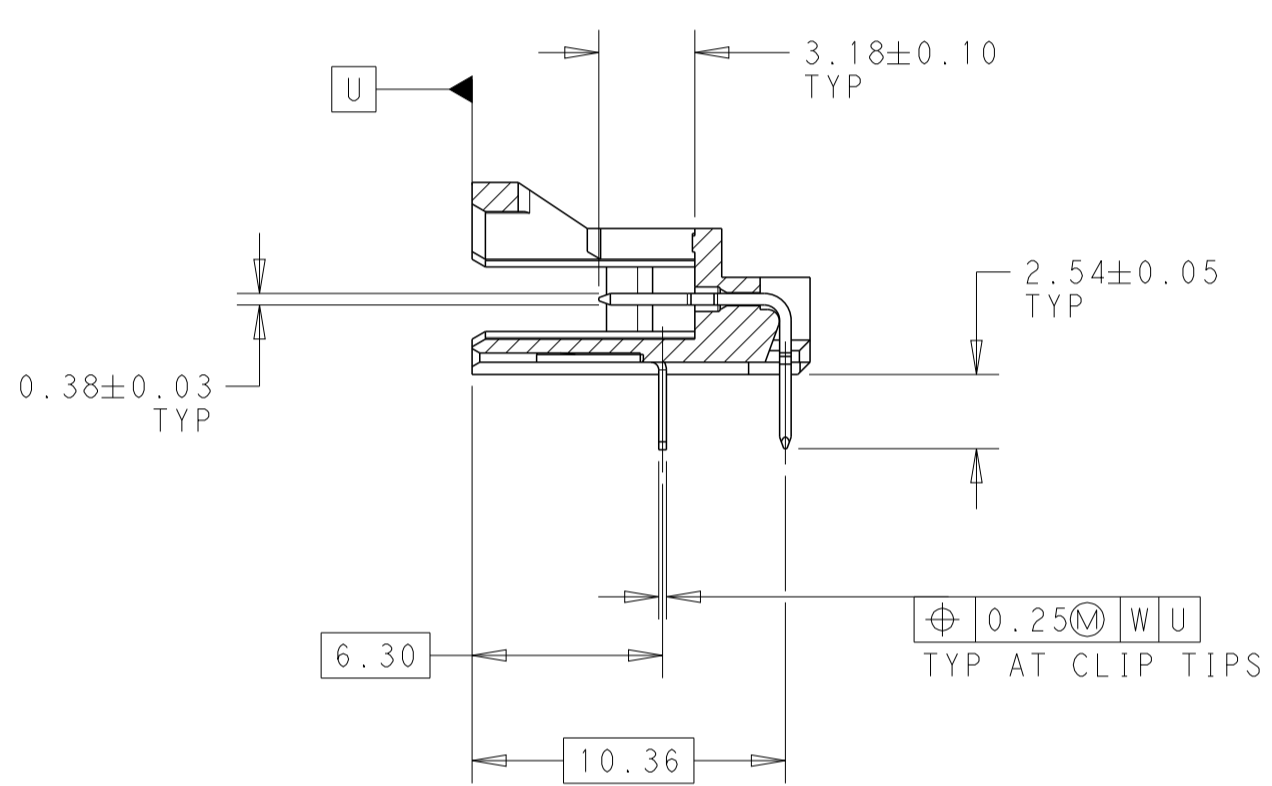
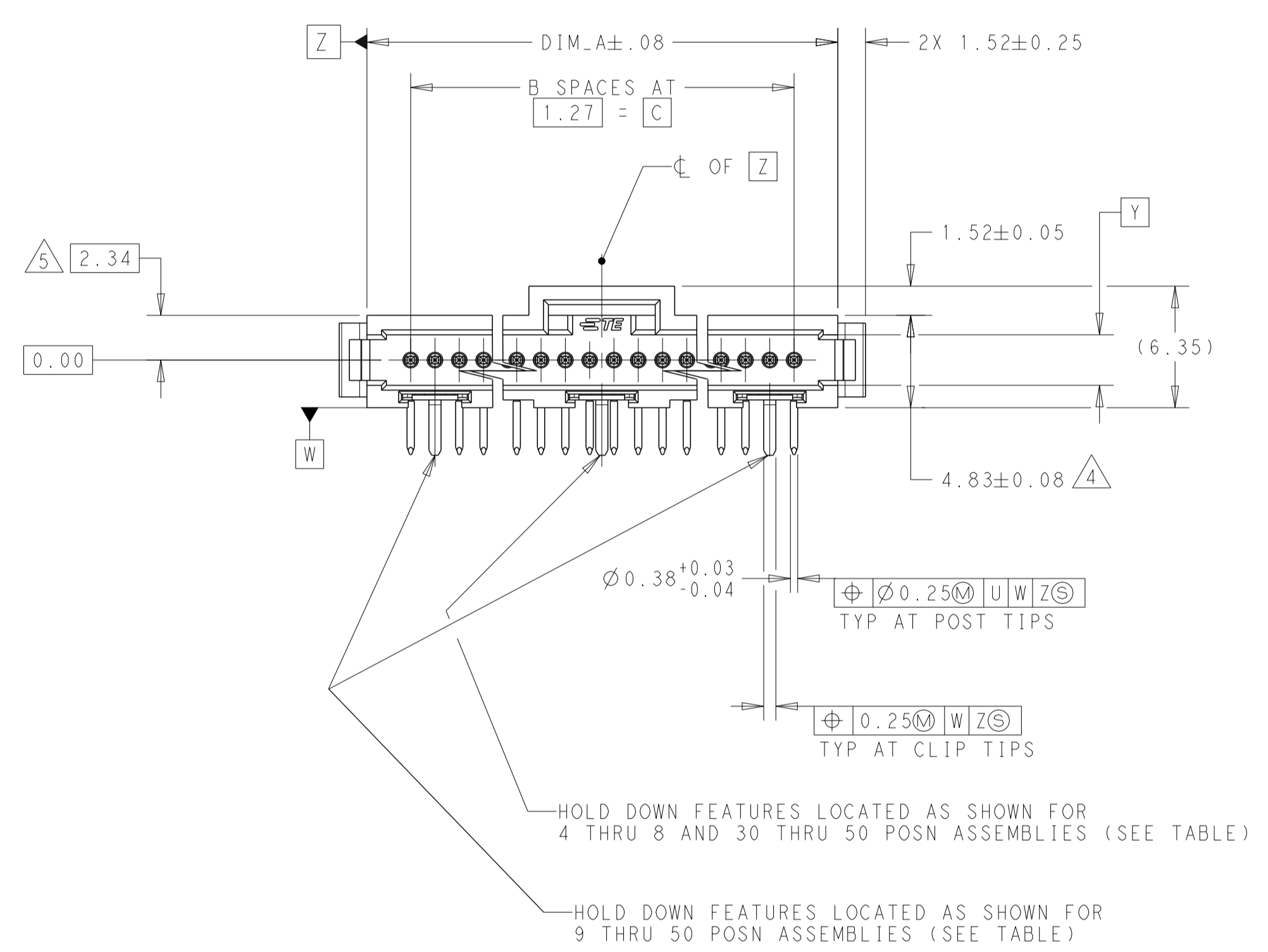


| REVISIONS | | | | |
|-----------|-----|------------------------------------|-----------|-------|
| P | LTN | DESCRIPTION | DATE | APVD |
| V | | REDRAWN /REVISED PER ECO-17-001745 | 22NOV2017 | KS JO |
| | | | | |
| | | | | |



- △ CONTACT AREAS PLATED WITH 0.76µm GOLD, SOLDER TAILS PLATED WITH 3.81µm TIN-LEAD, ALL OVER 1.27µm NICKEL
- 2. NOTE DELETED.
- △ CIRCUIT IDENTIFICATION FEATURE OMITTED ON 4, 5, 6, & 7 POSITION HEADER ASSEMBLIES
- △ DIMENSION APPLIES AT BASE OF SHROUD
- △ THE NOTED DIMENSIONS APPLY AT THE INTERSECTION OF THE POST AND HOUSING
- △ CONTACT AREAS PLATED WITH 0.76µm GOLD, SOLDER TAILS PLATED WITH 3.81µm TIN, ALL OVER 1.27µm NICKEL.
- △ MATERIAL: HOUSING-LCP, COLOR-BLACK
CONTACT-COPPER ALLOY
- △ FINISH: 0.03µm MIN GOLD ON GOLD PLATED AREA, 3.81µm MATTE TIN-LEAD ON TIN PLATED AREA. UNDER PLATING TO BE 1.27µm NICKEL ON ENTIRE CONTACT
- △ FINISH: 0.03µm MIN GOLD ON GOLD PLATED AREA, 3.81µm MATTE TIN ON TIN PLATED AREA. UNDER PLATING TO BE 1.27µm NICKEL ON ENTIRE CONTACT.
- 10. NOTE DELETED.
- 11. NOTE DELETED.
- 12. NOTE DELETED.
- 13. NOTE DELETED.



| | | | | |
|--|--|------------------------------|---|--|
| THIS DRAWING IS A CONTROLLED DOCUMENT. | | OWN: R. SHRISHAILI 22NOV2017 | TE Connectivity | |
| DIMENSIONS: mm | | CHK: J. OLSON 22NOV2017 | | |
| TOLERANCES UNLESS OTHERWISE SPECIFIED: | | APVD: J. OLSON 22NOV2017 | NAME: HEADER ASSEMBLY, RIGHT ANGLE, SINGLE ROW, W/SIDE & END LATCHES, AMPMODU SYSTEM 50 | |
| 0 PLC ±.3 | | PRODUCT SPEC: 108-1093 | SIZE: A1 | |
| 1 PLC ±0.13 | | APPLICATION SPEC: 114-25031 | CAGE CODE: - | |
| 2 PLC ±.075 | | WEIGHT: - | DRAWING NO: C=104074 | |
| 3 PLC ±.05 | | CUSTOMER DRAWING | SCALE: 4:1 | |
| 4 PLC ±.03 | | | SHEET: 1 OF 2 | |
| ANGLES ±0.5° | | | REV: V | |

THIS DRAWING IS UNPUBLISHED. RELEASED FOR PUBLICATION
 © COPYRIGHT copyright dbt ALL RIGHTS RESERVED.

| REVISIONS | | | | |
|-----------|-----|-------------|------|------|
| P | LTN | DESCRIPTION | DATE | APPV |
| - | | SEE SHEET 1 | - | - |
| | | | | |
| | | | | |

| | | | | | | | | |
|-------|-------|-------|-------|-------|---------------------|-------|------------|-------------|
| | 15.87 | 1.27 | 31.75 | 34.29 | 27 | 38.86 | 28 | 9-104074-0 |
| | 29.84 | 1.27 | 59.69 | 62.23 | 49 | 66.80 | 50 | 8-104074-9 |
| | 26.67 | 1.27 | 53.34 | 55.88 | 44 | 60.45 | 45 | 8-104074-8 |
| | 23.49 | 1.27 | 46.99 | 49.53 | 39 | 54.10 | 40 | 8-104074-7 |
| | 20.95 | 1.27 | 41.91 | 44.45 | 35 | 49.02 | 36 | 8-104074-6 |
| | 15.24 | 1.27 | 30.48 | 33.02 | 26 | 37.59 | 27 | 8-104074-5 |
| | - | 1.27 | 24.13 | 26.67 | 21 | 31.24 | 22 | 8-104074-4 |
| | - | 1.27 | 17.78 | 20.32 | 16 | 24.89 | 17 | 8-104074-3 |
| | - | 1.27 | 12.70 | 15.24 | 12 | 19.81 | 13 | 8-104074-2 |
| | - | 1.27 | 11.43 | 13.97 | 11 | 18.54 | 12 | 8-104074-1 |
| | - | 4.44 | - | 8.89 | 7 | 13.46 | 8 | 8-104074-0 |
| | - | 3.81 | - | 7.62 | 6 | 12.19 | 7 | 7-104074-9 |
| | - | 3.17 | - | 6.35 | 5 | 10.92 | 6 | 7-104074-8 |
| | - | 1.90 | - | 3.81 | 3 | 8.38 | 4 | 7-104074-7 |
| | 17.14 | 1.27 | 34.29 | 36.83 | 29 | 41.40 | 30 | 7-104074-6 |
| | - | 1.27 | 27.94 | 30.48 | 24 | 35.05 | 25 | 7-104074-5 |
| | - | 1.27 | 21.59 | 24.13 | 19 | 28.70 | 20 | 7-104074-4 |
| | - | 1.27 | 15.24 | 17.78 | 14 | 22.35 | 15 | 7-104074-3 |
| | - | 2.54 | - | 5.08 | 4 | 9.65 | 5 | 7-104074-2 |
| | - | 1.27 | 8.89 | 11.43 | 9 | 16.00 | 10 | 7-104074-1 |
| | 15.87 | 1.27 | 31.75 | 34.29 | 27 | 38.86 | 28 | 7-104074-0 |
| | 29.84 | 1.27 | 59.69 | 62.23 | 49 | 66.80 | 50 | 6-104074-9 |
| | 26.67 | 1.27 | 53.34 | 55.88 | 44 | 60.45 | 45 | 6-104074-8 |
| | 23.49 | 1.27 | 46.99 | 49.53 | 39 | 54.10 | 40 | 6-104074-7 |
| | 20.95 | 1.27 | 41.91 | 44.45 | 35 | 49.02 | 36 | 6-104074-6 |
| | 15.24 | 1.27 | 30.48 | 33.02 | 26 | 37.59 | 27 | 6-104074-5 |
| | - | 1.27 | 24.13 | 26.67 | 21 | 31.24 | 22 | 6-104074-4 |
| | - | 1.27 | 17.78 | 20.32 | 16 | 24.89 | 17 | 6-104074-3 |
| | - | 1.27 | 12.70 | 15.24 | 12 | 19.81 | 13 | 6-104074-2 |
| | - | 1.27 | 11.43 | 13.97 | 11 | 18.54 | 12 | 6-104074-1 |
| | - | 4.44 | - | 8.89 | 7 | 13.46 | 8 | 6-104074-0 |
| | - | 3.81 | - | 7.62 | 6 | 12.19 | 7 | 5-104074-9 |
| | - | 3.17 | - | 6.35 | 5 | 10.92 | 6 | 5-104074-8 |
| | - | 1.90 | - | 3.81 | 3 | 8.38 | 4 | 5-104074-7 |
| | 17.14 | 1.27 | 34.29 | 36.83 | 29 | 41.40 | 30 | 5-104074-6 |
| | - | 1.27 | 27.94 | 30.48 | 24 | 35.05 | 25 | 5-104074-5 |
| | - | 1.27 | 21.59 | 24.13 | 19 | 28.70 | 20 | 5-104074-4 |
| | - | 1.27 | 15.24 | 17.78 | 14 | 22.35 | 15 | 5-104074-3 |
| | - | 2.54 | - | 5.08 | 4 | 9.65 | 5 | 5-104074-2 |
| | - | 1.27 | 8.89 | 11.43 | 9 | 16.00 | 10 | 5-104074-1 |
| FINSH | DIM_F | DIM_E | DIM_D | DIM_C | ^B SPACES | DIM_A | NO OF POSN | PART NUMBER |

| | | | | | | | | |
|-------|-------|-------|-------|-------|---------------------|-------|------------|-------------|
| | 15.87 | 1.27 | 31.75 | 34.29 | 27 | 38.86 | 28 | 4-104074-0 |
| | 29.84 | 1.27 | 59.69 | 62.23 | 49 | 66.80 | 50 | 3-104074-9 |
| | 26.67 | 1.27 | 53.34 | 55.88 | 44 | 60.45 | 45 | 3-104074-8 |
| | 23.49 | 1.27 | 46.99 | 49.53 | 39 | 54.10 | 40 | 3-104074-7 |
| | 20.95 | 1.27 | 41.91 | 44.45 | 35 | 49.02 | 36 | 3-104074-6 |
| | 15.24 | 1.27 | 30.48 | 33.02 | 26 | 37.59 | 27 | 3-104074-5 |
| | - | 1.27 | 24.13 | 26.67 | 21 | 31.24 | 22 | 3-104074-4 |
| | - | 1.27 | 17.78 | 20.32 | 16 | 24.89 | 17 | 3-104074-3 |
| | - | 1.27 | 12.70 | 15.24 | 12 | 19.81 | 13 | 3-104074-2 |
| | - | 1.27 | 11.43 | 13.97 | 11 | 18.54 | 12 | 3-104074-1 |
| | - | 4.44 | - | 8.89 | 7 | 13.46 | 8 | 3-104074-0 |
| | - | 3.81 | - | 7.62 | 6 | 12.19 | 7 | 2-104074-9 |
| | - | 3.17 | - | 6.35 | 5 | 10.92 | 6 | 2-104074-8 |
| | - | 1.90 | - | 3.81 | 3 | 8.38 | 4 | 2-104074-7 |
| | 17.14 | 1.27 | 34.29 | 36.83 | 29 | 41.40 | 30 | 2-104074-6 |
| | - | 1.27 | 27.94 | 30.48 | 24 | 35.05 | 25 | 2-104074-5 |
| | - | 1.27 | 21.59 | 24.13 | 19 | 28.70 | 20 | 2-104074-4 |
| | - | 1.27 | 15.24 | 17.78 | 14 | 22.35 | 15 | 2-104074-3 |
| | - | 2.54 | - | 5.08 | 4 | 9.65 | 5 | 2-104074-2 |
| | - | 1.27 | 8.89 | 11.43 | 9 | 16.00 | 10 | 2-104074-1 |
| | 15.87 | 1.27 | 31.75 | 34.29 | 27 | 38.86 | 28 | 2-104074-0 |
| | 29.84 | 1.27 | 59.69 | 62.23 | 49 | 66.8 | 50 | 1-104074-9 |
| | 26.67 | 1.27 | 53.34 | 55.88 | 44 | 60.45 | 45 | 1-104074-8 |
| | 23.49 | 1.27 | 46.99 | 49.53 | 39 | 54.10 | 40 | 1-104074-7 |
| | 20.95 | 1.27 | 41.91 | 44.45 | 35 | 49.02 | 36 | 1-104074-6 |
| | 15.24 | 1.27 | 30.48 | 33.02 | 26 | 37.59 | 27 | 1-104074-5 |
| | - | 1.27 | 24.13 | 26.67 | 21 | 31.24 | 22 | 1-104074-4 |
| | - | 1.27 | 17.78 | 20.32 | 16 | 24.89 | 17 | 1-104074-3 |
| | - | 1.27 | 12.70 | 15.24 | 12 | 19.81 | 13 | 1-104074-2 |
| | - | 1.27 | 11.43 | 13.97 | 11 | 18.54 | 12 | 1-104074-1 |
| | - | 4.44 | - | 8.89 | 7 | 13.46 | 8 | 1-104074-0 |
| | - | 3.81 | - | 7.62 | 6 | 12.19 | 7 | 104074-9 |
| | - | 3.17 | - | 6.35 | 5 | 10.92 | 6 | 104074-8 |
| | - | 1.90 | - | 3.81 | 3 | 8.38 | 4 | 104074-7 |
| | 17.14 | 1.27 | 34.29 | 36.83 | 29 | 41.40 | 30 | 104074-6 |
| | - | 1.27 | 27.94 | 30.48 | 24 | 35.05 | 25 | 104074-5 |
| | - | 1.27 | 21.59 | 24.13 | 19 | 28.70 | 20 | 104074-4 |
| | - | 1.27 | 15.24 | 17.78 | 14 | 22.35 | 15 | 104074-3 |
| | - | 2.54 | - | 5.08 | 4 | 9.65 | 5 | 104074-2 |
| | - | 1.27 | 8.89 | 11.43 | 9 | 16.00 | 10 | 104074-1 |
| FINSH | DIM_F | DIM_E | DIM_D | DIM_C | ^B SPACES | DIM_A | NO OF POSN | PART NUMBER |

THIS DRAWING IS A CONTROLLED DOCUMENT. DWN R. SHRISHAI 22NOV2017
 CHK J. OLSON 22NOV2017

DIMENSIONS: mm TOLERANCES UNLESS OTHERWISE SPECIFIED:
 0 PLC ±
 1 PLC ±0.3
 2 PLC ±0.13
 3 PLC ±
 4 PLC ±
 ANGLES ±0.5°
 FINISH SEE TABLE

MATERIAL WEIGHT 114-25031

APVD J. OLSON 22NOV2017

PRODUCT SPEC 108-1093

APPLICATION SPEC

NAME HEADER ASSEMBLY, RIGHT ANGLE, SINGLE ROW, W/SIDE & END LATCHES, AMPMODU SYSTEM 50

SIZE A1 CAGE CODE - DRAWING NO. 104074 RESTRICTED TO

CUSTOMER DRAWING SCALE 4:1 SHEET 2 OF 2 REV V

X-ON Electronics

Largest Supplier of Electrical and Electronic Components

Click to view similar products for [Board to Board & Mezzanine Connectors](#) category:

Click to view products by [TE Connectivity](#) manufacturer:

Other Similar products are found below :

[589158040000018](#) [MDF7C-18P-2.54DSA\(55\)](#) [FCN-230C068-11](#) [FCN-268F012-G/BD](#) [FCN-268F036-G/BD](#) [FCN-268M012-G/0D](#) [FCN-268M024-G/1D](#) [FCN-723J004/1](#) [MIS-048-01-F-D-DP-K](#) [832-10-034-10-001000](#) [FX4C-80S-1.27DSA](#) [FCN-214Q030-G/0](#) [FCN-234P048-G/0](#) [FCN-235D050-G/C](#) [210-93-314-41-105000](#) [2-22603-0](#) [MDF7-40DP-2.54DSA\(55\)](#) [AXG720047](#) [5031084030](#) [MIT-114-03-F-D-K](#) [55323-1519](#) [DF33-2P-3.3DSA\(24\)](#) [YFT-20-05-H-03-SB-K](#) [503308-3040](#) [026-6203-PDB](#) [027-6203-PDB](#) [069159702701000](#) [10123981-102LF](#) [101A10019X](#) [55650-0588-C](#) [68682-310LF](#) [68684-306](#) [75140-7012](#) [87471-650](#) [194261-1](#) [FCN-268F024-G0D](#) [10124054-515LF](#) [68685-603](#) [8-1616154-3](#) [MIS-019-01-F-D](#) [FCN-268M024-G/3D](#) [20021832-06016C1LF](#) [KX15-20KLDL-E1000E](#) [MDF7-16DP-2.54DSA\(55\)](#) [AXE810124](#) [FCN-214J100-G/0](#) [FCN-230C068-E/S](#) [AXE812124](#) [AXE816124](#) [AXE720127](#)