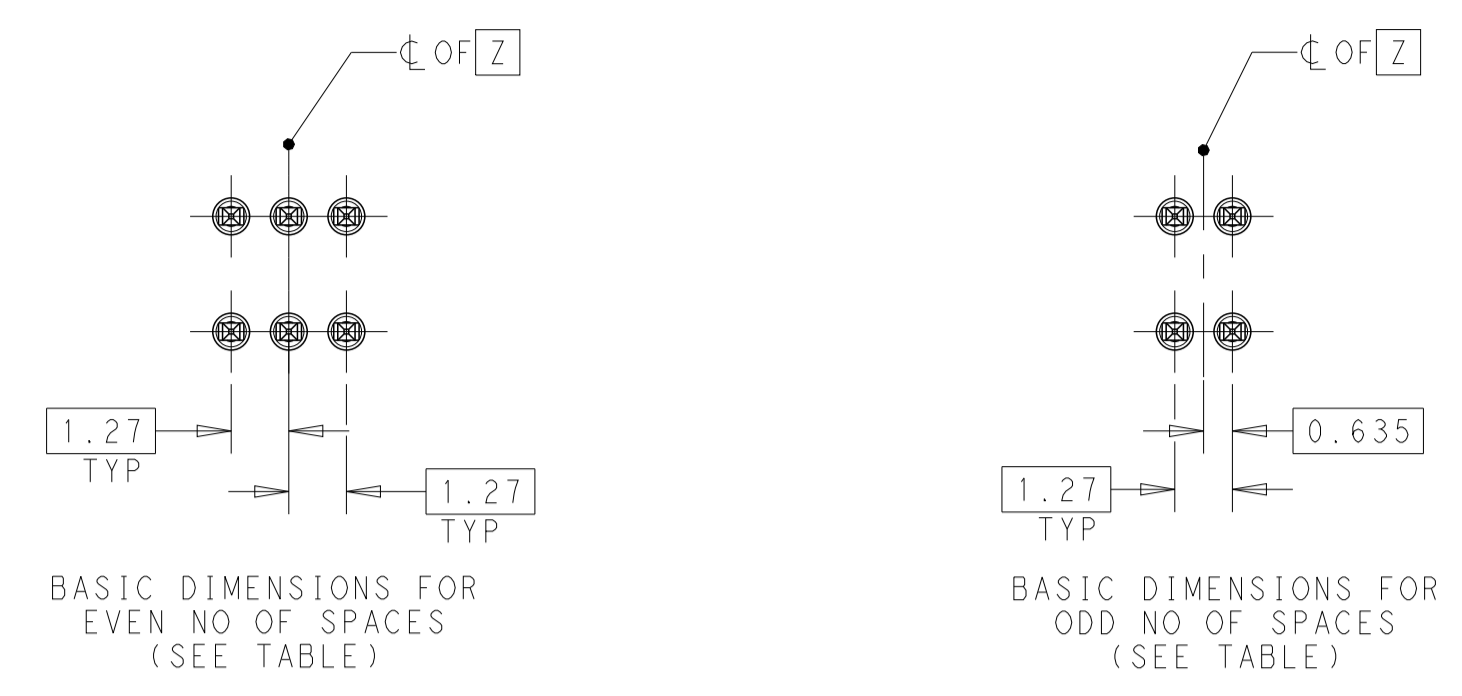
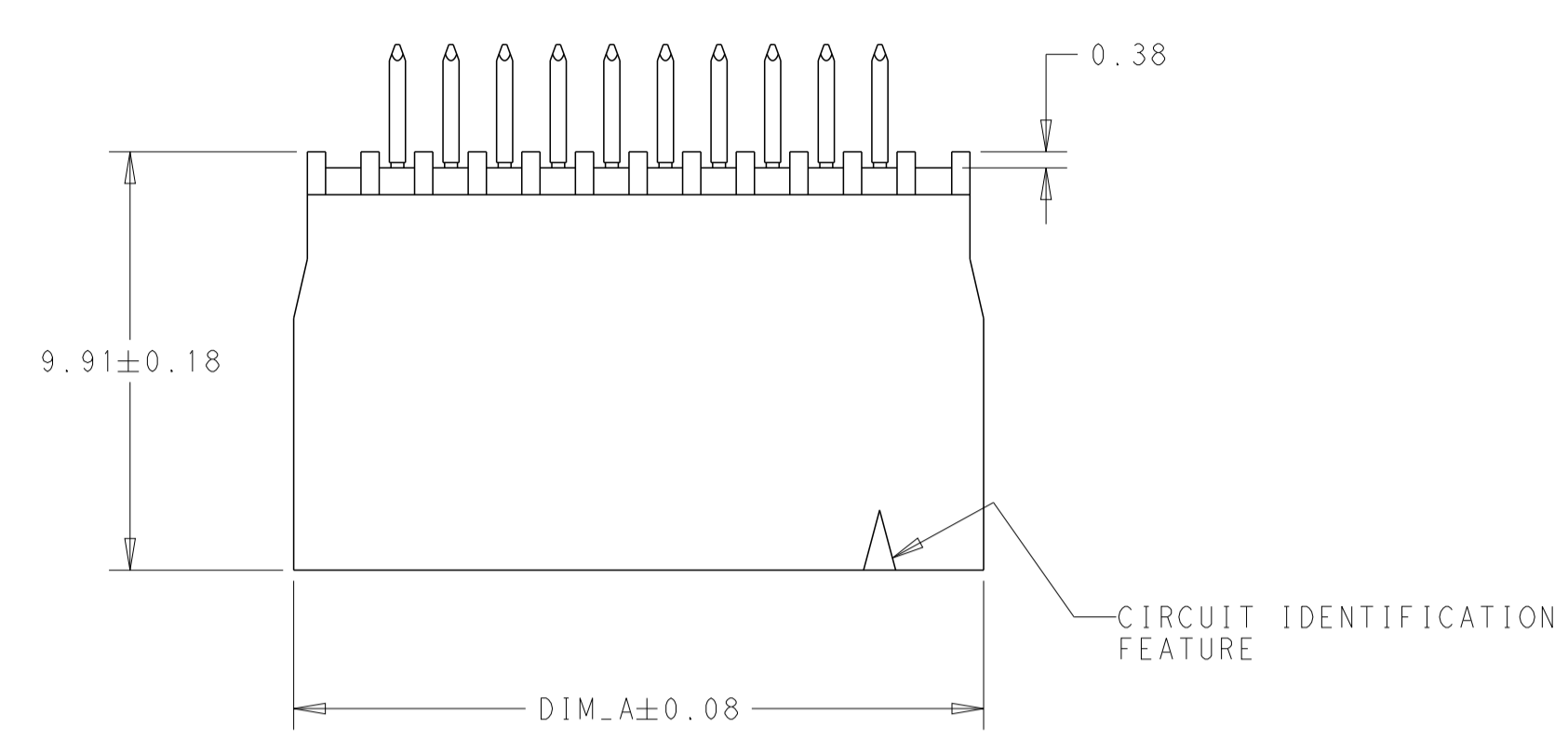
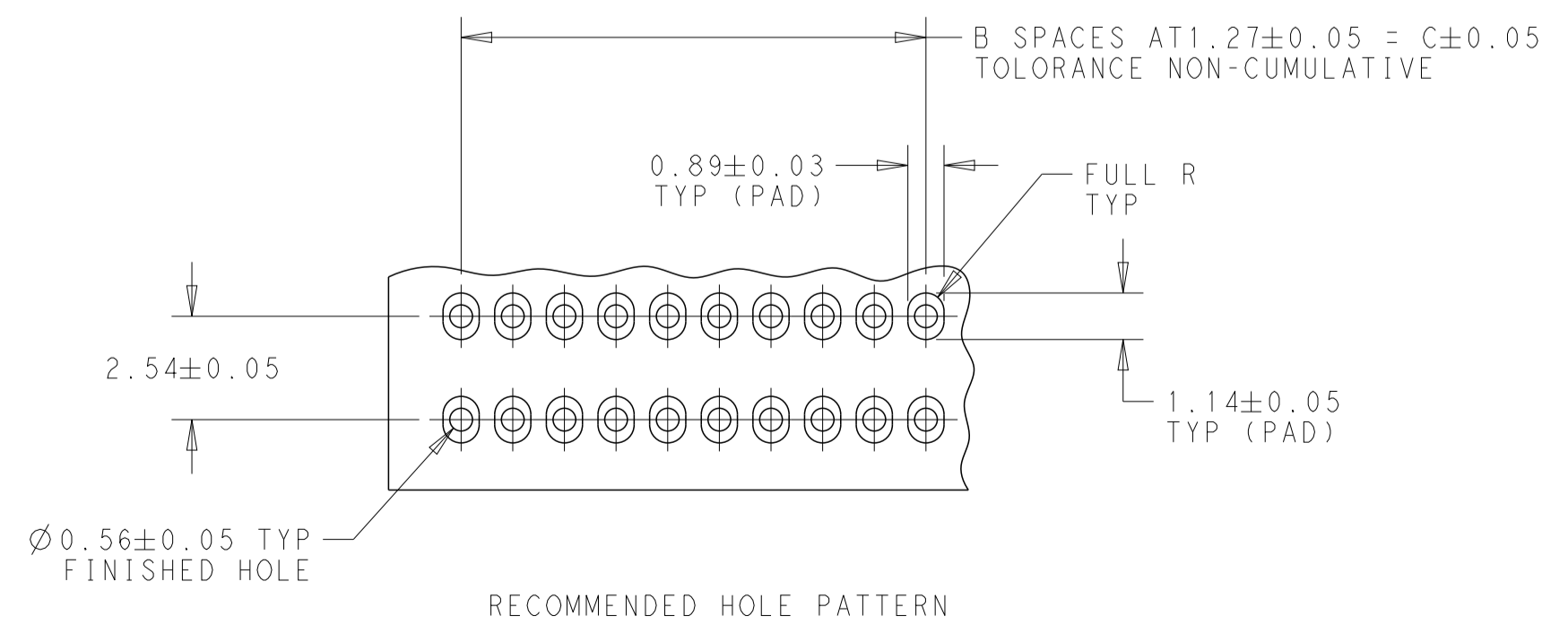
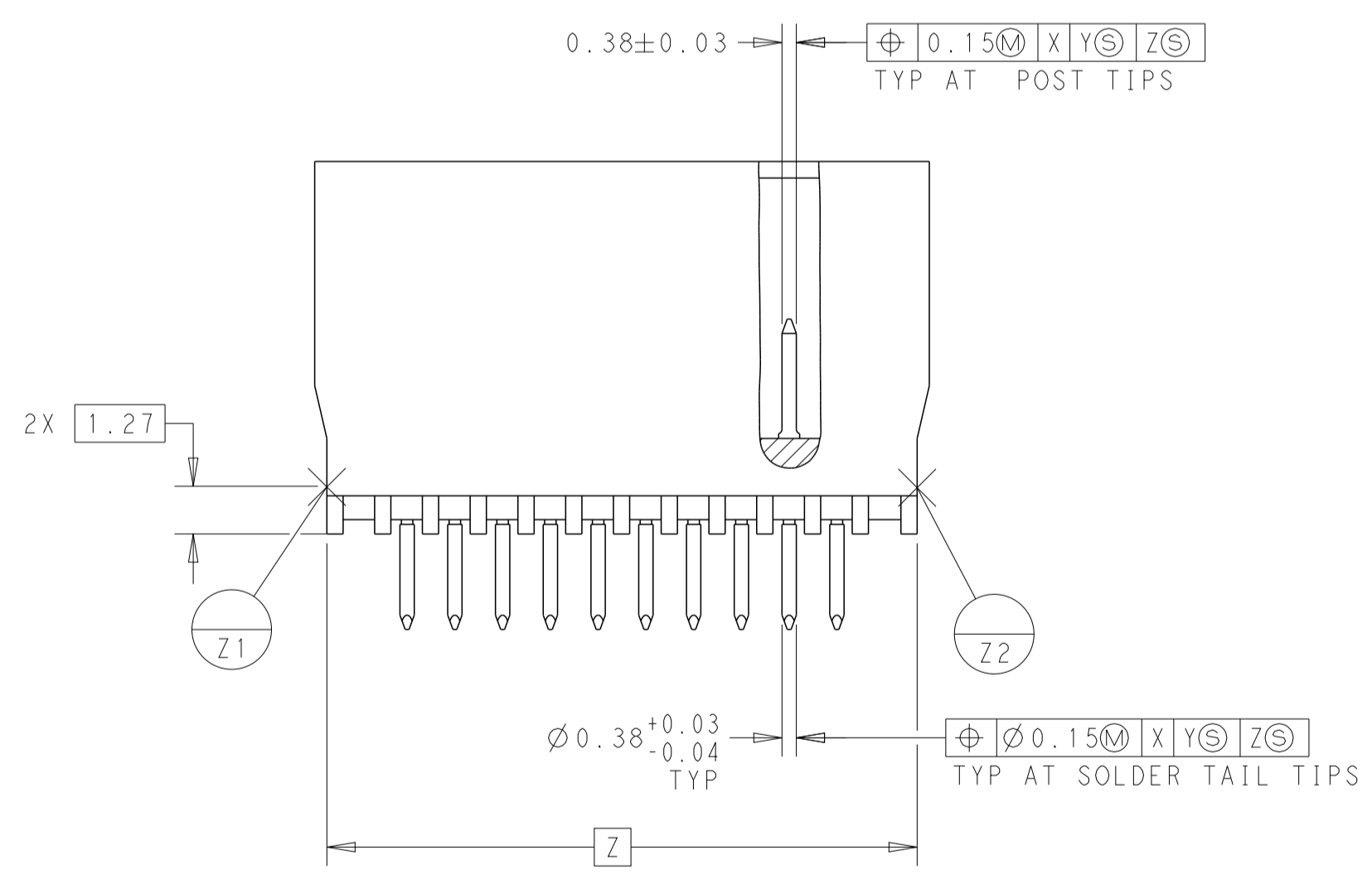
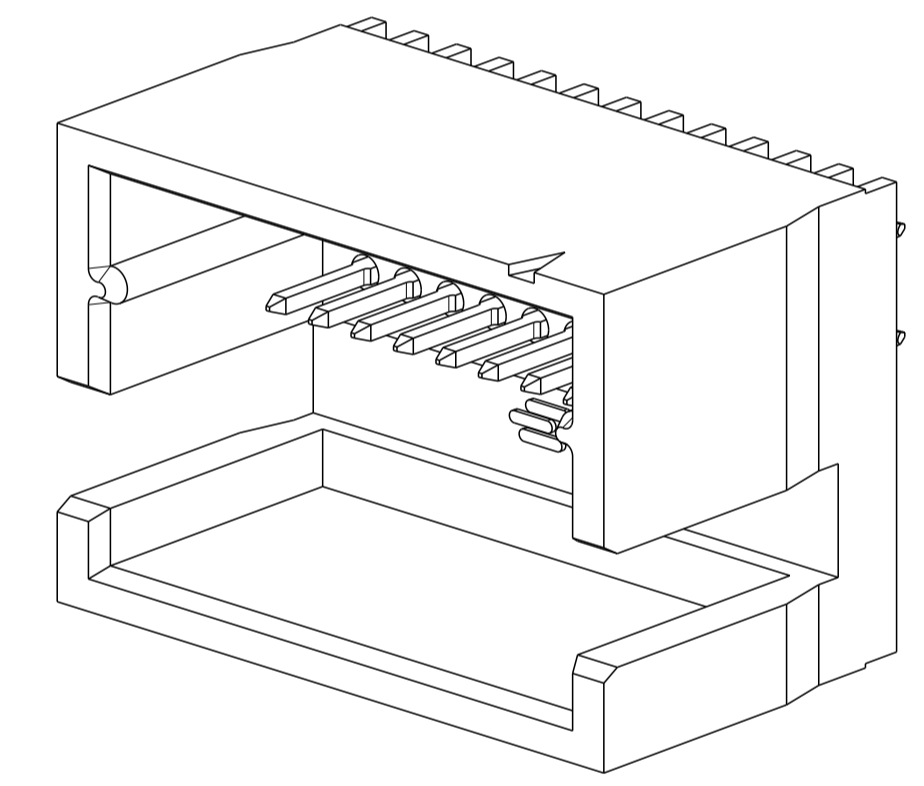
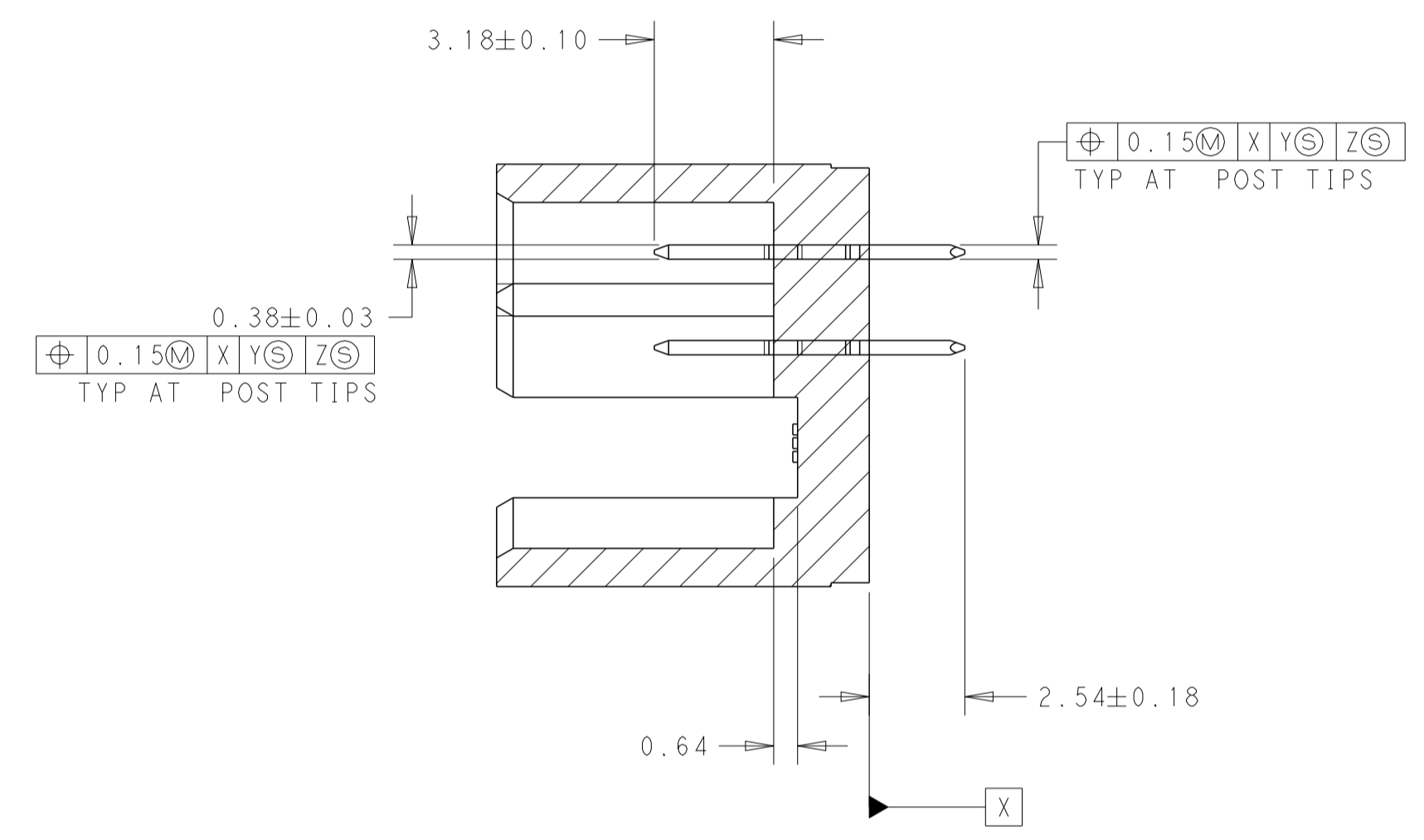
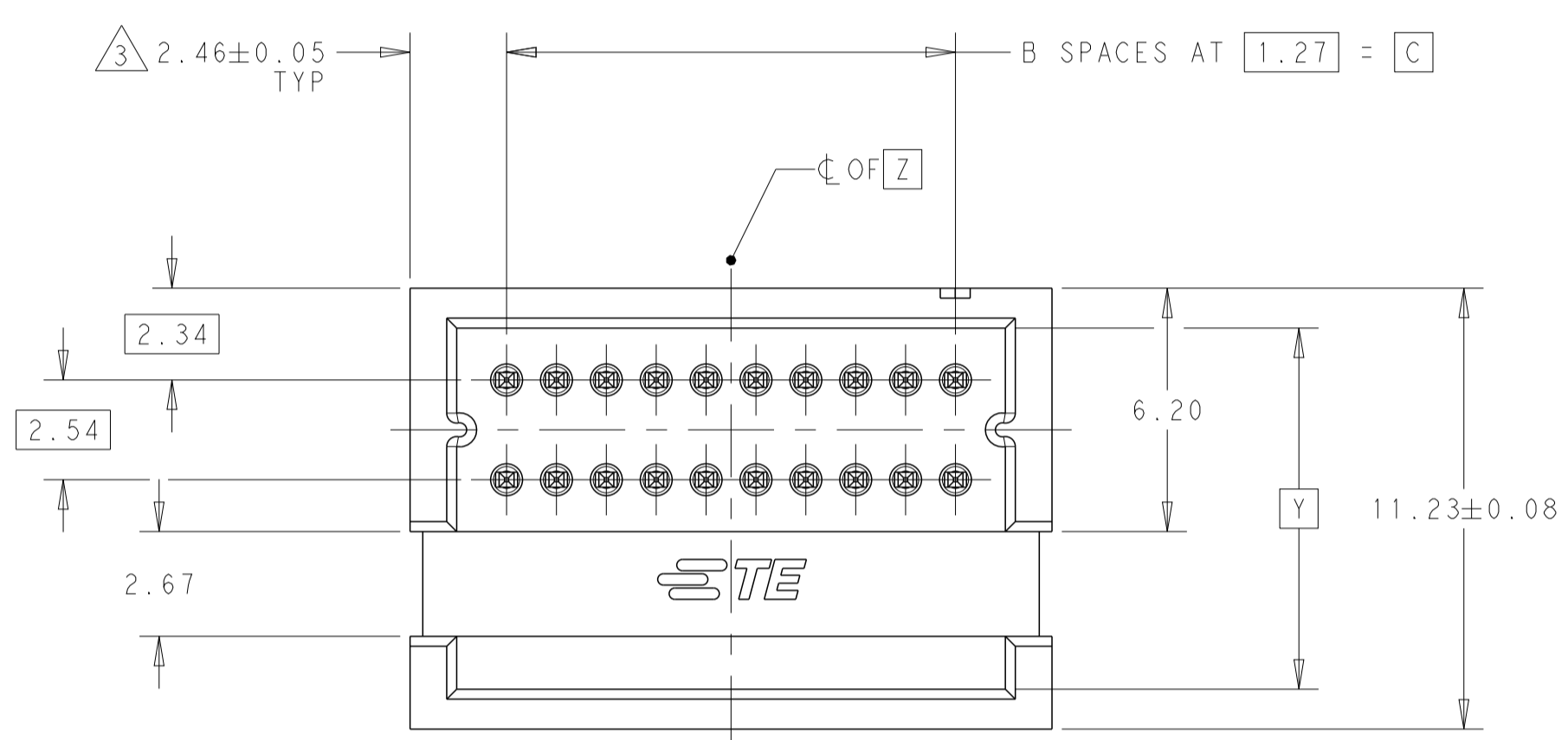


REVISIONS				
P	LTN	DESCRIPTION	DATE	OWN APVD
V		REDRAWN/REVISED PER ECO-17-001755	20NOV2017	KS JO



- 1 CONTACT AREAS PLATED WITH 0.76µm GOLD; SOLDER TAILS PLATED WITH 3.81µm TIN-LEAD, ALL OVER 1.27µm NICKEL
- 2. NOTE DELETED.
- 3 THE NOTED DIMENSIONS APPLY AT THE INTERSECTION OF THE POST AND HOUSING.
- 4 CONTACT AREAS PLATED WITH 0.76µm GOLD; SOLDER TAILS PLATED WITH 3.81µm TIN, ALL OVER 1.27µm NICKEL.
- 5 FINISH: 0.03µm MIN GOLD ON GOLD PLATED AREA, 3.81µm MATTE TIN LEAD ON TIN PLATE AREA. UNDER PLATING SHOULD BE 1.27µm NICKEL ON ENTIRE CONTACT.
- 6 FINISH: 0.03µm MIN GOLD ON GOLD PLATED AREA, 3.81µm MATTE TIN ON TIN PLATE AREA. UNDER PLATING SHOULD BE 1.27µm NICKEL ON ENTIRE CONTACT.
- 7. NOTE DELETED.
- 8. NOTE DELETED.
- 9. NOTE DELETED.
- 10 MATERIAL- HOUSING: LCP, COLOR: BLACK  
POST: COPPER ALLOY



6	62.23	49	67.16	100	7-104076-8
	30.48	24	35.41	50	7-104076-7
	17.78	14	22.71	30	7-104076-6
	5.08	4	10.01	10	7-104076-5
	49.53	39	54.46	80	7-104076-4
	24.13	19	29.06	40	7-104076-3
	36.83	29	41.76	60	7-104076-2
4	11.43	9	16.36	20	7-104076-1
	62.23	49	67.16	100	5-104076-8
	30.48	24	35.41	50	5-104076-7
	17.78	14	22.71	30	5-104076-6
	5.08	4	10.01	10	5-104076-5
	49.53	39	54.46	80	5-104076-4
	24.13	19	29.06	40	5-104076-3
FINISH		B SPACES	DIM_A	NO OF POSN	PART NUMBER

5	62.23	49	67.16	100	2-104076-8
	30.48	24	35.41	50	2-104076-7
	17.78	14	22.71	30	2-104076-6
	5.08	4	10.01	10	2-104076-5
	49.53	39	54.46	80	2-104076-4
	24.13	19	29.06	40	2-104076-3
	36.83	29	41.76	60	2-104076-2
1	11.43	9	16.36	20	2-104076-1
	62.23	49	67.16	100	104076-8
	30.48	24	35.41	50	104076-7
	17.78	14	22.71	30	104076-6
	5.08	4	10.01	10	104076-5
	49.53	39	54.46	80	104076-4
	24.13	19	29.06	40	104076-3
FINISH		B SPACES	DIM_A	NO OF POSN	PART NUMBER

THIS DRAWING IS A CONTROLLED DOCUMENT. DWG: R\_SHRISHAILI, 20NOV2017  
 CHK: J\_OLSON, 20NOV2017  
 APVD: J\_OLSON, 20NOV2017

TE Connectivity  
**STE**  
 NAME: HEADER ASSEMBLY, VERTICAL, SHROUDED, WITH SLOT, AMPMODU System 50

PRODUCT SPEC: 108-1093  
 APPLICATION SPEC: 114-25031

SIZE: 114-25031  
 WEIGHT: -  
 CUSTOMER DRAWING

SCALE: 6:1  
 SHEET: 1 OF 1  
 REV: V

## X-ON Electronics

Largest Supplier of Electrical and Electronic Components

*Click to view similar products for [Headers & Wire Housings](#) category:*

*Click to view products by [TE Connectivity](#) manufacturer:*

Other Similar products are found below :

[95000-104TRLF](#) [10135584-644402LF](#) [DF62W-EP2022PCA](#) [95000-106TRLF](#) [DF62W-2022SCA](#) [DF62W-EP2022PC](#) [2203348](#) [DF62W-2022SC](#) [1084018](#) [1029039](#) [1084017](#) [802-10-012-10-002000](#) [1112640](#) [1112639](#) [000-34000](#) [0009482033](#) [0009507031](#) [57102-S06-03LF](#) [57202-S52-04LF](#) [PCN6-15S-2.5E](#) [0039019024](#) [58102-G61-06LF](#) [582553-1](#) [0009508121](#) [0050291907](#) [018731A](#) [LY20-4P-DT1-P1E-BR](#) [02.125.8002.8](#) [60101931](#) [60598-1 \(Cut Strip\)](#) [M1625-3R/100](#) [61062-3](#) [61082-181009](#) [636-1427](#) [638009-1](#) [641938-9](#) [641991-4](#) [644168-1](#) [647662-1](#) [65039-019ELF](#) [65817-002LF](#) [65817-015LF](#) [65863-015LF](#) [66207-023LF](#) [67016-026LF](#) [67046-001LF](#) [67095-007LF](#) [68002-116](#) [68016-236H](#) [68648-049](#)