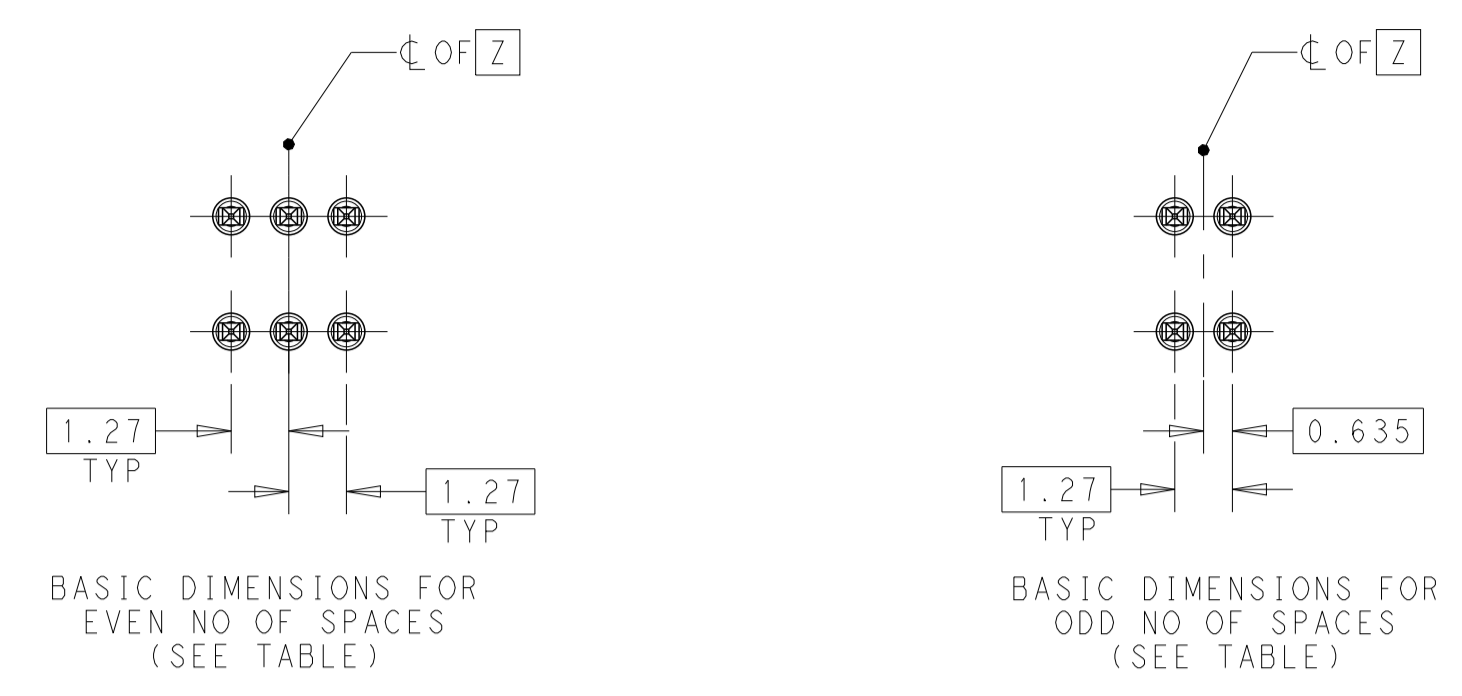
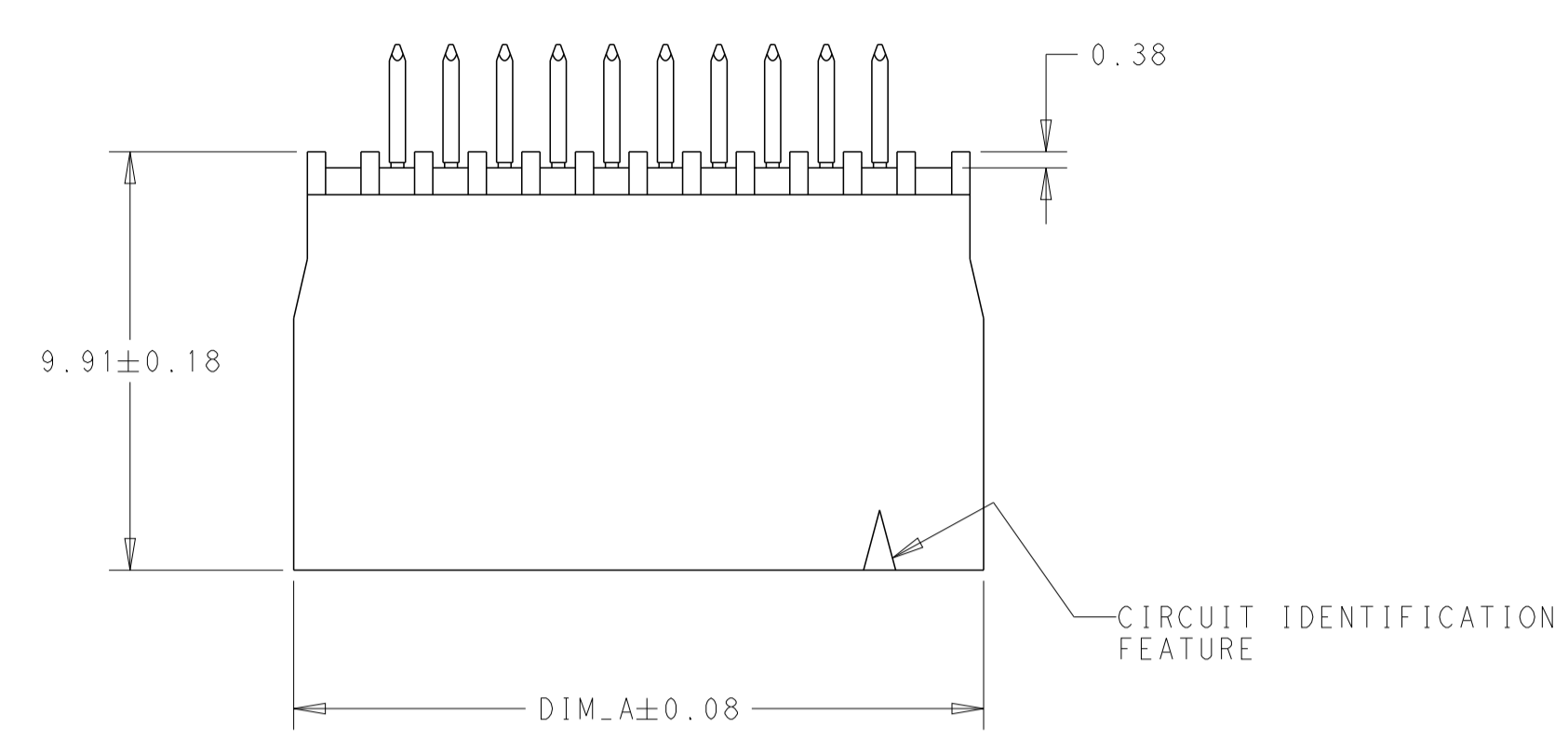
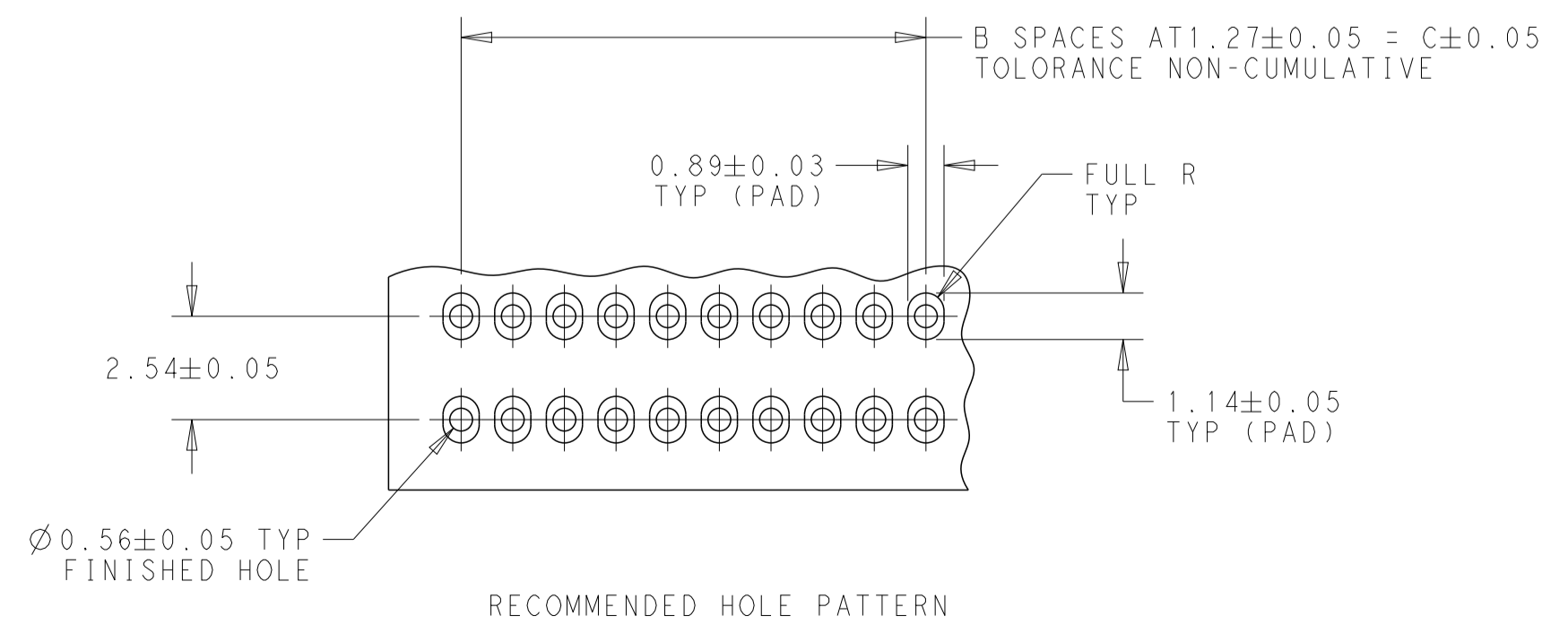
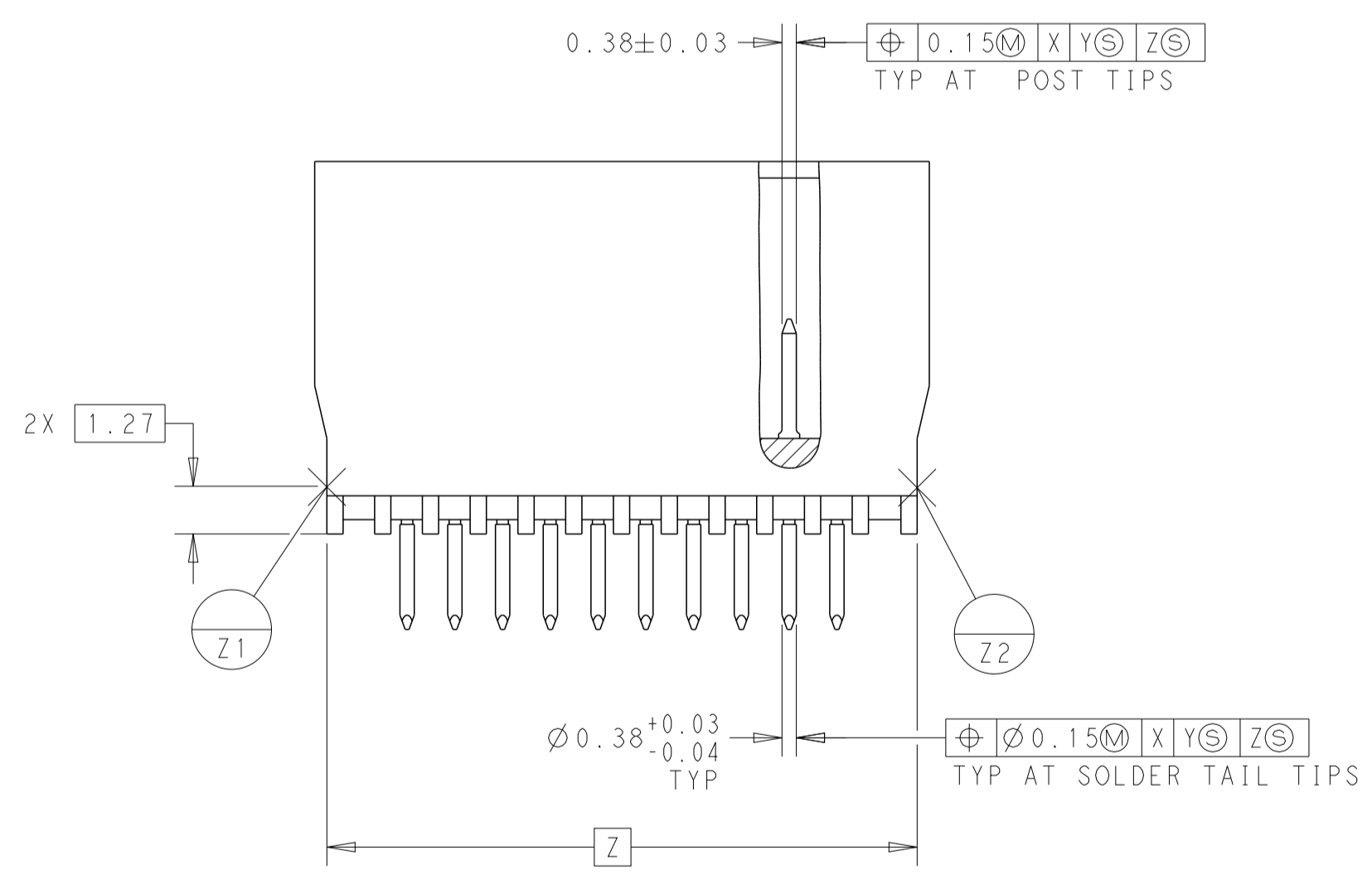
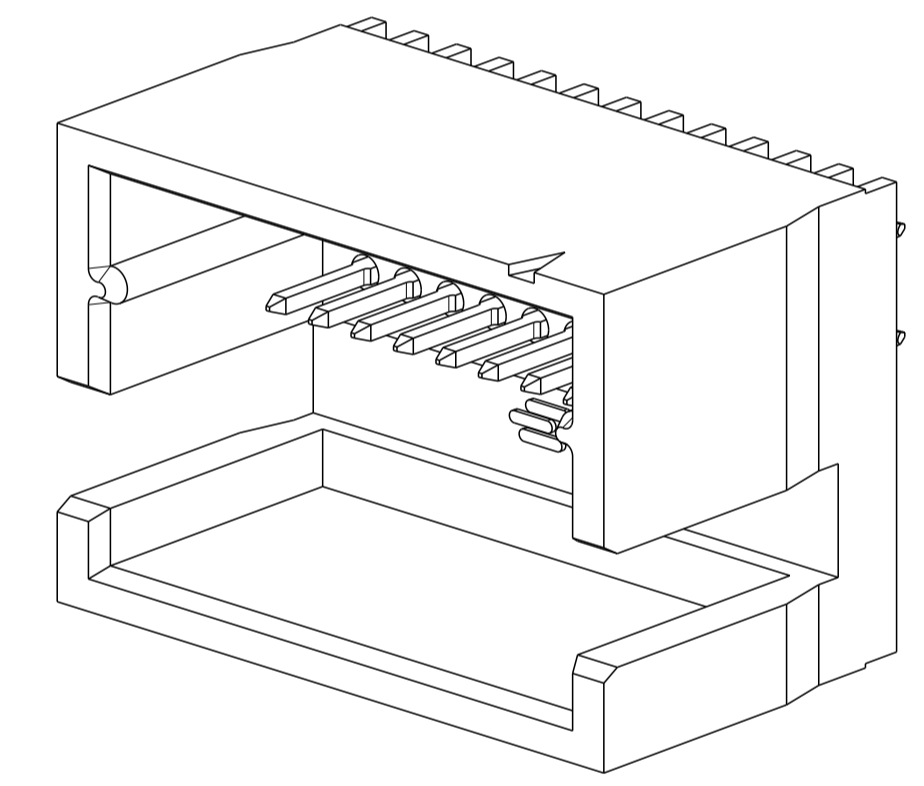
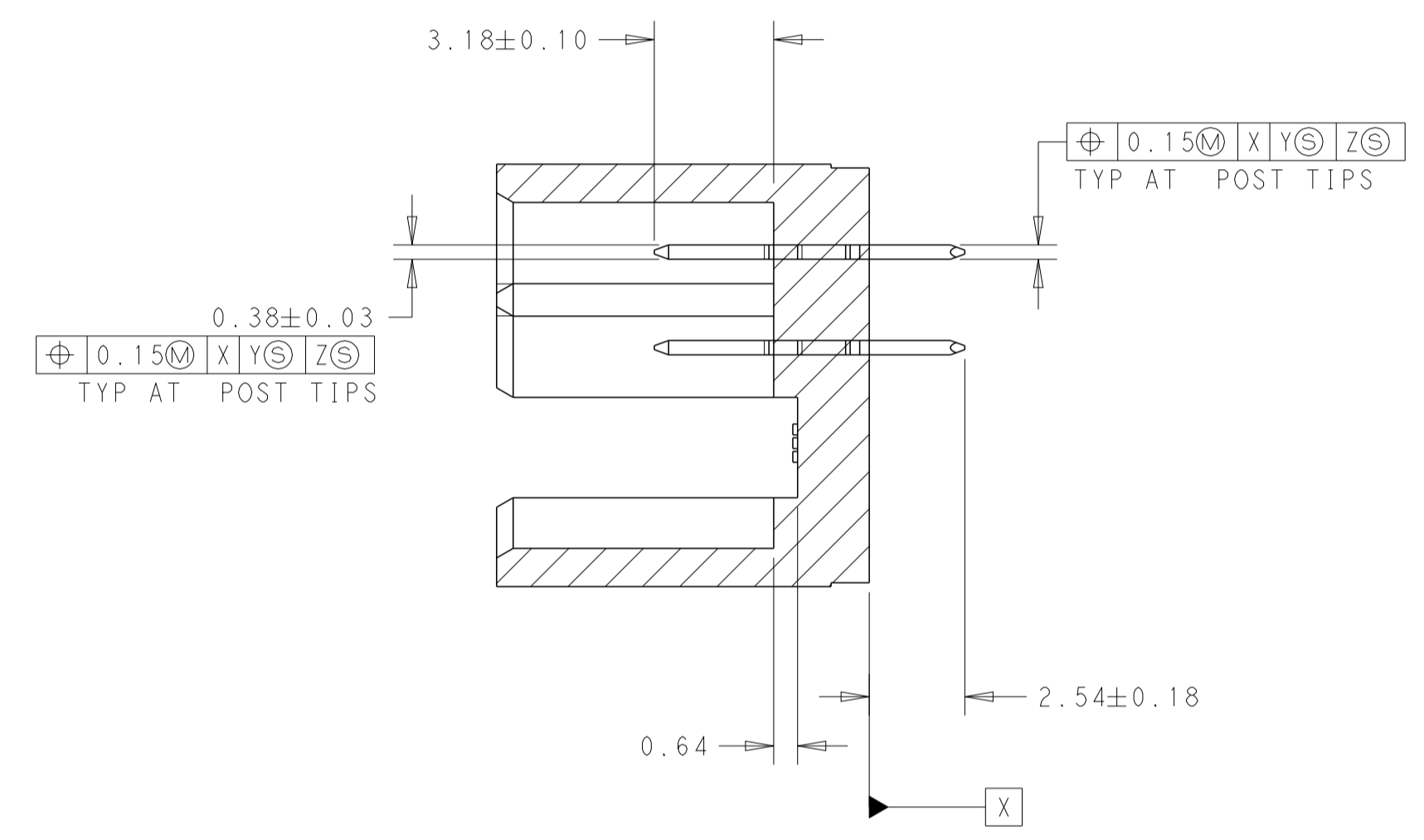
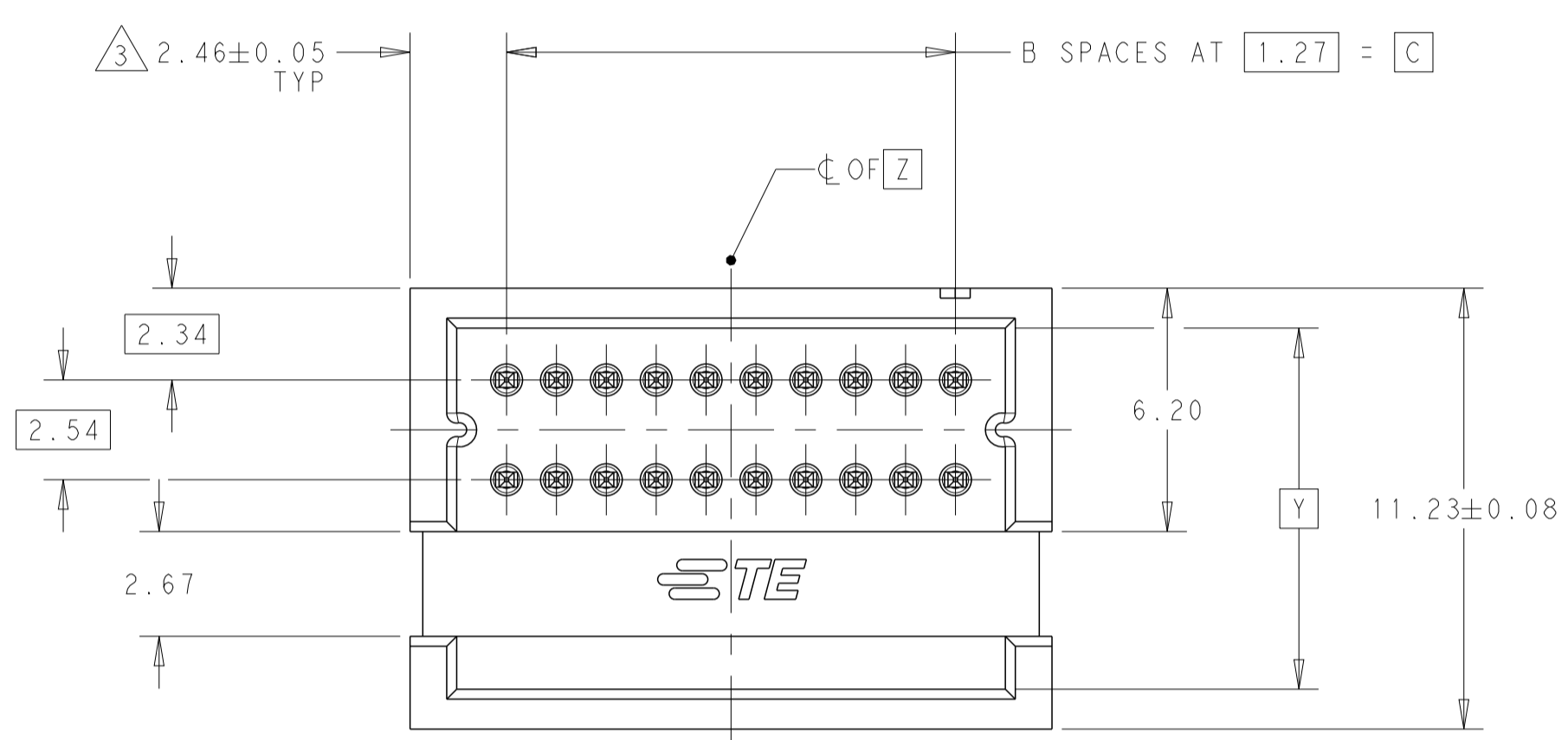


REVISIONS				
P	LTN	DESCRIPTION	DATE	APPV
V		REDRAWN/REVISED PER ECO-17-001755	20NOV2017	KS JO



- 1 CONTACT AREAS PLATED WITH 0.76µm GOLD; SOLDER TAILS PLATED WITH 3.81µm TIN-LEAD, ALL OVER 1.27µm NICKEL
- 2. NOTE DELETED.
- 3 THE NOTED DIMENSIONS APPLY AT THE INTERSECTION OF THE POST AND HOUSING.
- 4 CONTACT AREAS PLATED WITH 0.76µm GOLD; SOLDER TAILS PLATED WITH 3.81µm TIN, ALL OVER 1.27µm NICKEL.
- 5 FINISH: 0.03µm MIN GOLD ON GOLD PLATED AREA, 3.81µm MATTE TIN LEAD ON TIN PLATE AREA. UNDER PLATING SHOULD BE 1.27µm NICKEL ON ENTIRE CONTACT.
- 6 FINISH: 0.03µm MIN GOLD ON GOLD PLATED AREA, 3.81µm MATTE TIN ON TIN PLATE AREA. UNDER PLATING SHOULD BE 1.27µm NICKEL ON ENTIRE CONTACT.
- 7. NOTE DELETED.
- 8. NOTE DELETED.
- 9. NOTE DELETED.
- 10 MATERIAL- HOUSING: LCP, COLOR: BLACK
POST: COPPER ALLOY



6	62.23	49	67.16	100	7-104076-8
	30.48	24	35.41	50	7-104076-7
	17.78	14	22.71	30	7-104076-6
	5.08	4	10.01	10	7-104076-5
	49.53	39	54.46	80	7-104076-4
	24.13	19	29.06	40	7-104076-3
	36.83	29	41.76	60	7-104076-2
4	11.43	9	16.36	20	7-104076-1
	62.23	49	67.16	100	5-104076-8
	30.48	24	35.41	50	5-104076-7
	17.78	14	22.71	30	5-104076-6
	5.08	4	10.01	10	5-104076-5
	49.53	39	54.46	80	5-104076-4
	24.13	19	29.06	40	5-104076-3
FINISH		B SPACES	DIM_A	NO OF POSN	PART NUMBER

5	62.23	49	67.16	100	2-104076-8
	30.48	24	35.41	50	2-104076-7
	17.78	14	22.71	30	2-104076-6
	5.08	4	10.01	10	2-104076-5
	49.53	39	54.46	80	2-104076-4
	24.13	19	29.06	40	2-104076-3
	36.83	29	41.76	60	2-104076-2
1	11.43	9	16.36	20	2-104076-1
	62.23	49	67.16	100	104076-8
	30.48	24	35.41	50	104076-7
	17.78	14	22.71	30	104076-6
	5.08	4	10.01	10	104076-5
	49.53	39	54.46	80	104076-4
	24.13	19	29.06	40	104076-3
FINISH		B SPACES	DIM_A	NO OF POSN	PART NUMBER

THIS DRAWING IS A CONTROLLED DOCUMENT. DWG: R. SHRISHAIL, 20NOV2017
 CHK: J. OLSON, 20NOV2017
 APVD: J. OLSON, 20NOV2017

TE Connectivity

NAME: HEADER ASSEMBLY, VERTICAL, SHROUDED, WITH SLOT, AMPMODU System 50

PRODUCT SPEC: 108-1093
 APPLICATION SPEC: 114-25031

SIZE: 114-25031
 WEIGHT: -
 CUSTOMER DRAWING

SCALE: 6:1
 SHEET: 1 OF 1
 REV: V

X-ON Electronics

Largest Supplier of Electrical and Electronic Components

Click to view similar products for [Board to Board & Mezzanine Connectors](#) category:

Click to view products by [TE Connectivity](#) manufacturer:

Other Similar products are found below :

[589158040000018](#) [MDF7C-18P-2.54DSA\(55\)](#) [FCN-230C068-11](#) [FCN-268F012-G/BD](#) [FCN-268F036-G/BD](#) [FCN-268M012-G/0D](#) [FCN-268M024-G/1D](#) [FCN-723J004/1](#) [MIS-048-01-F-D-DP-K](#) [832-10-034-10-001000](#) [FX4C-80S-1.27DSA](#) [FCN-214Q030-G/0](#) [FCN-234P048-G/0](#) [FCN-235D050-G/C](#) [210-93-314-41-105000](#) [2-22603-0](#) [MDF7-40DP-2.54DSA\(55\)](#) [AXG720047](#) [5031084030](#) [MIT-114-03-F-D-K](#) [55323-1519](#) [DF33-2P-3.3DSA\(24\)](#) [YFT-20-05-H-03-SB-K](#) [503308-3040](#) [026-6203-PDB](#) [027-6203-PDB](#) [069159702701000](#) [10123981-102LF](#) [101A10019X](#) [55650-0588-C](#) [68684-306](#) [75140-7012](#) [589159005003045](#) [194261-1](#) [FCN-268F024-G0D](#) [10124054-515LF](#) [68685-603](#) [8-1616154-3](#) [MIS-019-01-F-D](#) [589159005002045](#) [541371078](#) [IL-WX-10PB-HF-B-E1000E](#) [FCN-268M024-G/3D](#) [20021832-06016C1LF](#) [KX15-20KLDL-E1000E](#) [MDF7-16DP-2.54DSA\(55\)](#) [AXE810124](#) [FCN-214J100-G/0](#) [FCN-230C068-E/S](#) [AXE812124](#)