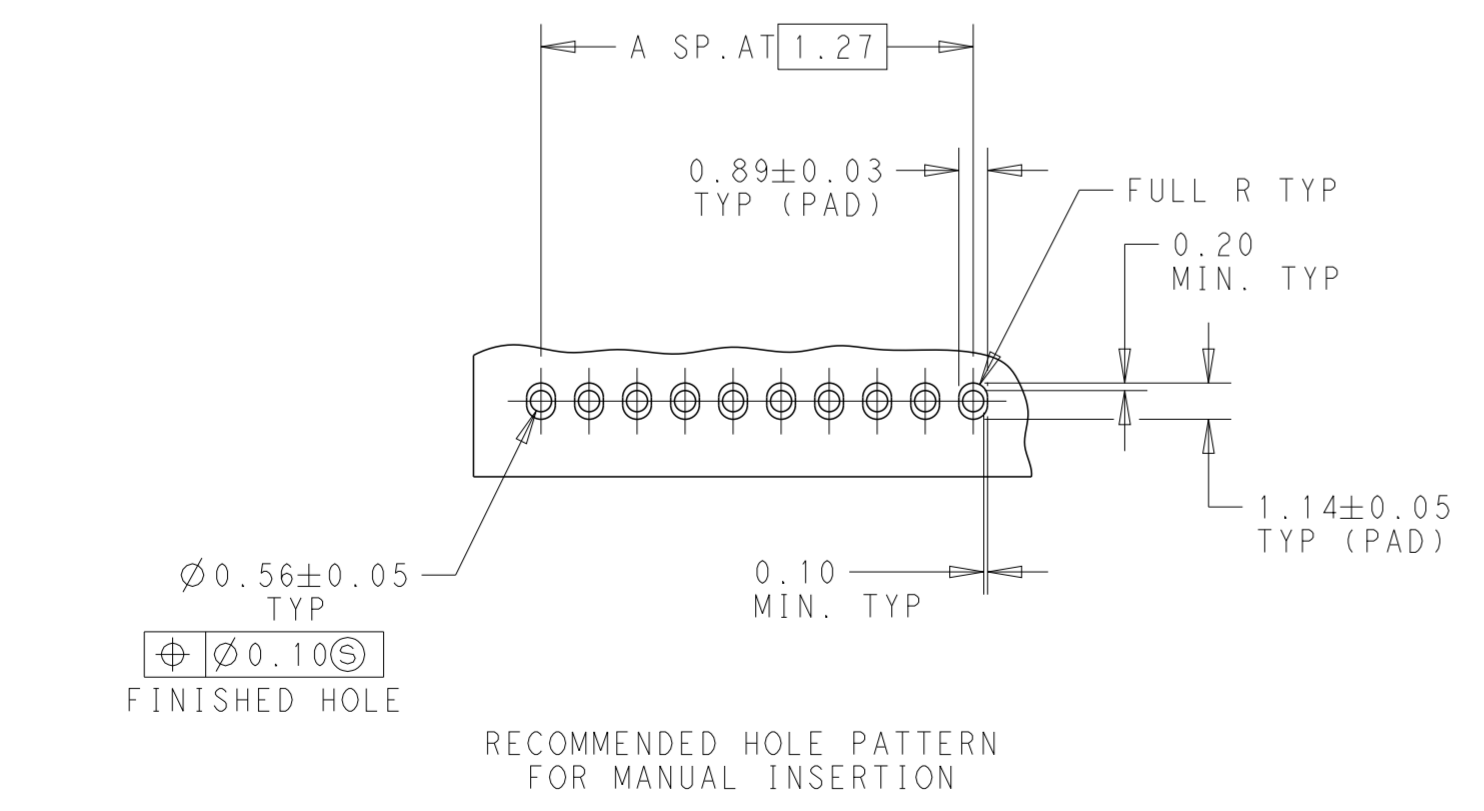
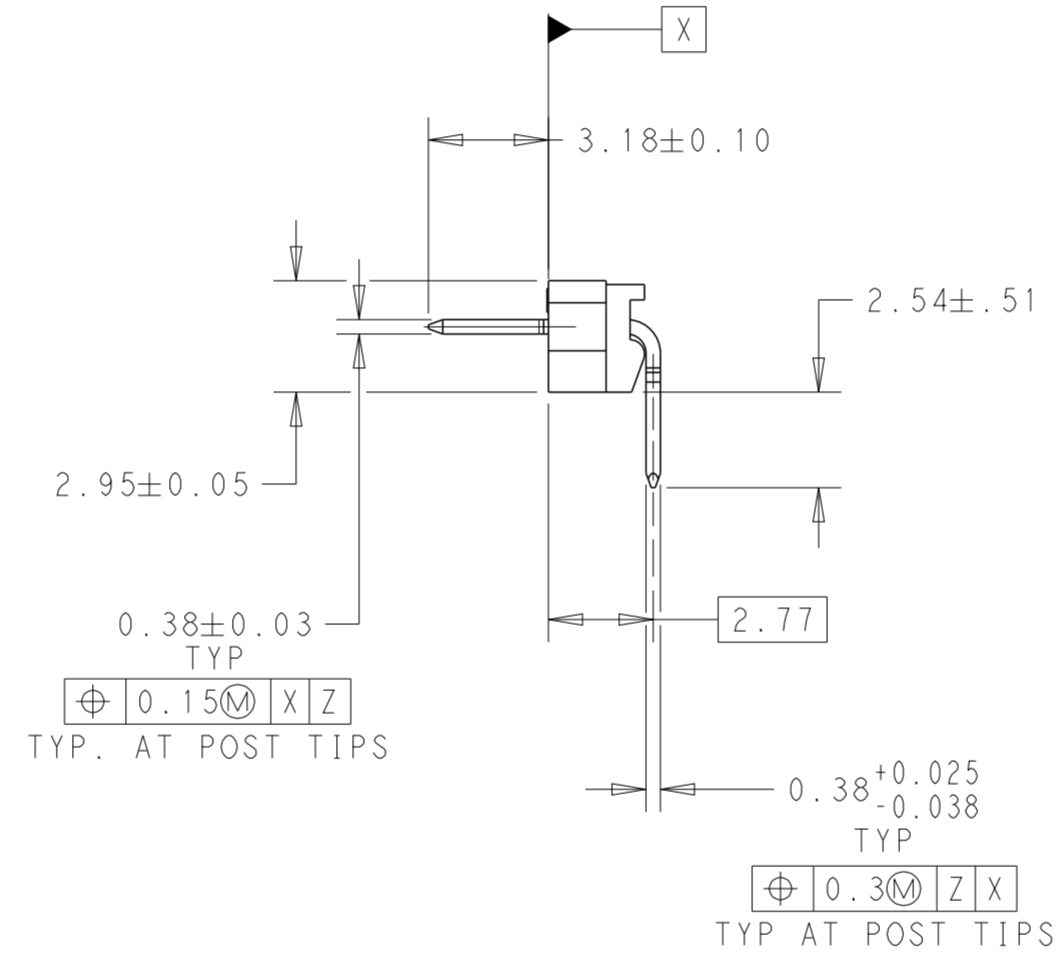
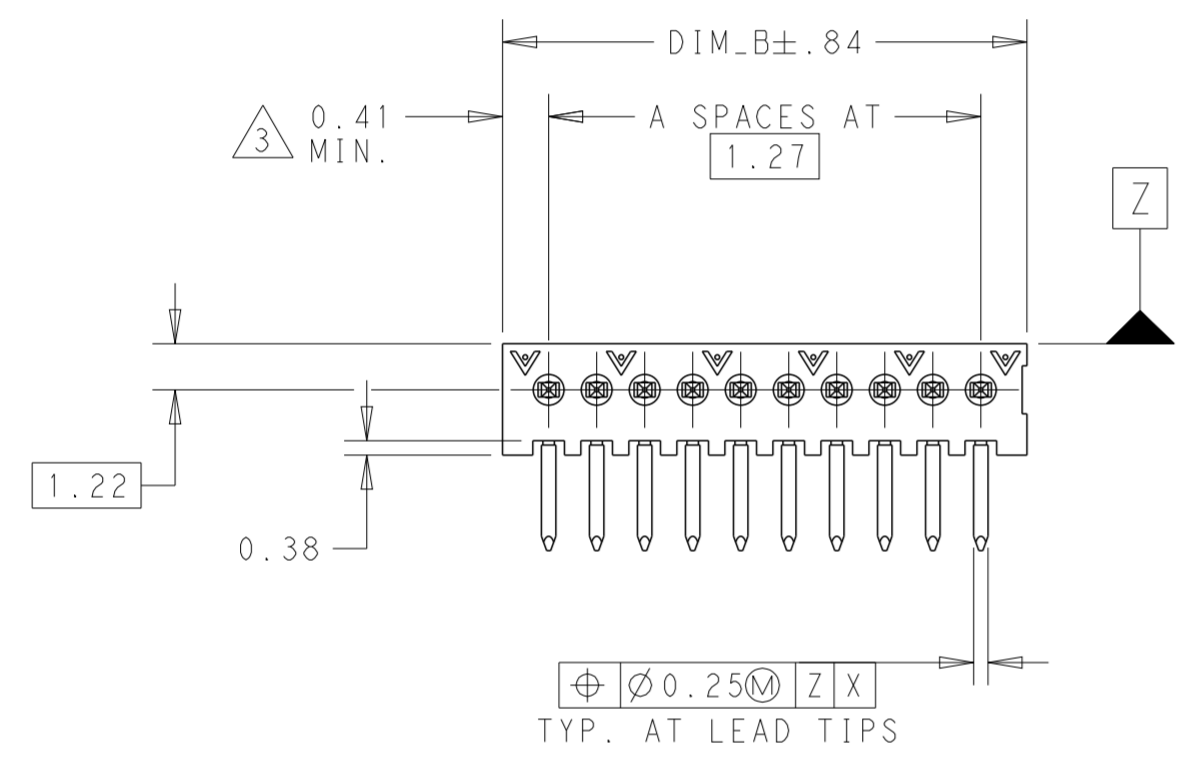
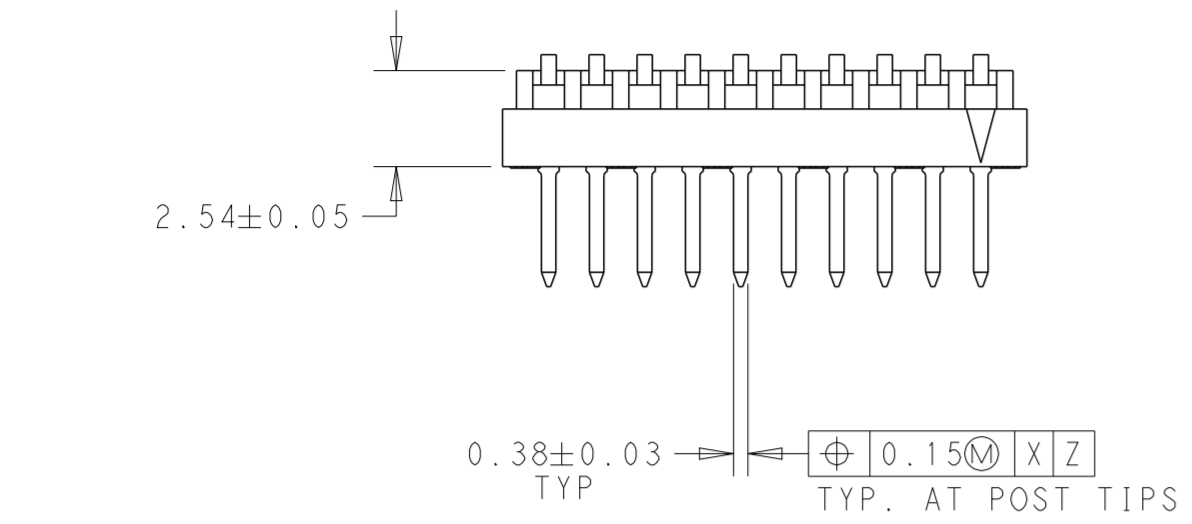
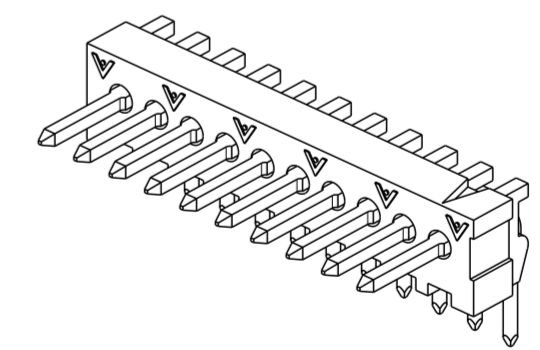


THIS DRAWING IS UNPUBLISHED. RELEASED FOR PUBLICATION
 © COPYRIGHT - BY - ALL RIGHTS RESERVED.

REVISIONS					
P	LTR	DESCRIPTION	DATE	DWN	APVD
	T	REDRAWN/REVISED PER ECO-17-001756	10NOV2017	GR	JO



- 1 CONTACT AREAS PLATED WITH 0.76µm GOLD; SOLDER TAILS PLATED WITH 3.81µm MIN TIN-LEAD; ALL OVER 1.27µm MIN NICKEL
- 2. NOTE DELETED
- 3 THE NOTED DIMENSIONS APPLY AT THE INTERSECTION OF THE POST AND HOUSING.
- 4 CONTACT AREAS PLATED WITH 0.76µm GOLD; SOLDER TAILS PLATED WITH 3.81µm MIN TIN; ALL OVER 1.27µm MIN NICKEL
- 5. NOTE DELETED
- 6 FINISH: 0.03µm MIN GOLD ON GOLD PLATED AREA, 3.81µm MATTE IN TIN-LEAD ON TIN PLATED AREA. UNDER PLATING: 1.27µm NICKEL ON ENTIRE CONTACT. GOLD AND TIN PLATING MAY NOT OVERLAP.
- 7 FINISH: 0.03µm MIN GOLD ON GOLD PLATED AREA, 3.81µm MATTE IN TIN ON TIN PLATED AREA. UNDER PLATING: 1.27µm NICKEL ON ENTIRE CONTACT. GOLD AND TIN PLATING MAY NOT OVERLAP.
- 8. NOTE DELETED
- 9. NOTE DELETED
- 10. NOTE DELETED
- 11 MATERIAL: HOUSING: LCP, COLOR-BLACK CONTACT: COPPER ALLOY




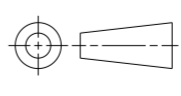
THIS DRAWING IS A CONTROLLED DOCUMENT.		DWN G. RAMESH 10NOV2017	TE Connectivity	
DIMENSIONS: mm		CHK J. OLSON 10NOV2017		
TOLERANCES UNLESS OTHERWISE SPECIFIED:		APVD J. OLSON 10NOV2017	NAME HEADER ASSEMBLY, RIGHT ANGLE, UNSHROUDED, SINGLE ROW, AMPMODU System 50	
0 PLC ± 1 PLC ± 2 PLC ±0.3 3 PLC ±0.13 4 PLC ±		PRODUCT SPEC 108-1093	SIZE A200779	
ANGLES ±0.5°		APPLICATION SPEC 114-25031	DRAWING NO C-104186	
FINISH SEE TABLE		WEIGHT -	RESTRICTED TO	
11		CUSTOMER DRAWING		SCALE 5:1 SHEET 1 OF 2 REV T

THIS DRAWING IS UNPUBLISHED. RELEASED FOR PUBLICATION
 © COPYRIGHT - BY - ALL RIGHTS RESERVED.

REVISIONS				
P	LTR	DESCRIPTION	DATE	APVD
-		SEE SHEET 1	-	-

7	39.75	30	31	9-104168-0
	63.88	49	50	8-104168-9
	57.53	44	45	8-104168-8
	51.18	39	40	8-104168-7
	44.83	34	35	8-104168-6
	38.48	29	30	8-104168-5
	34.67	26	27	8-104168-4
	32.13	24	25	8-104168-3
	28.32	21	22	8-104168-2
	25.78	19	20	8-104168-1
	21.97	16	17	8-104168-0
	19.43	14	15	7-104168-9
	16.89	12	13	7-104168-8
	15.62	11	12	7-104168-7
	13.08	9	10	7-104168-6
	10.54	7	8	7-104168-5
	9.27	6	7	7-104168-4
	8.00	5	6	7-104168-3
	6.73	4	5	7-104168-2
	5.46	3	4	7-104168-1
4	39.75	30	31	7-104168-0
	63.88	49	50	6-104168-9
	57.53	44	45	6-104168-8
	51.18	39	40	6-104168-7
	44.83	34	35	6-104168-6
	38.48	29	30	6-104168-5
	34.67	26	27	6-104168-4
	32.13	24	25	6-104168-3
	28.32	21	22	6-104168-2
	25.78	19	20	6-104168-1
	21.97	16	17	6-104168-0
	19.43	14	15	5-104168-9
	16.89	12	13	5-104168-8
	15.62	11	12	5-104168-7
	13.08	9	10	5-104168-6
	10.54	7	8	5-104168-5
	9.27	6	7	5-104168-4
	8.00	5	6	5-104168-3
	6.73	4	5	5-104168-2
	5.46	3	4	5-104168-1
FINISH	DIM_ B	A SPACES	NO OF POSN	PART NUMBER

6	39.75	30	31	4-104186-0
	63.88	49	50	3-104186-9
	57.53	44	45	3-104186-8
	51.18	39	40	3-104186-7
	44.83	34	35	3-104186-6
	38.48	29	30	3-104186-5
	34.67	26	27	3-104186-4
	32.13	24	25	3-104186-3
	28.32	21	22	3-104186-2
	25.78	19	20	3-104186-1
	21.97	16	17	3-104186-0
	19.43	14	15	2-104186-9
	16.89	12	13	2-104186-8
	15.62	11	12	2-104186-7
	13.08	9	10	2-104186-6
	10.54	7	8	2-104186-5
	9.27	6	7	2-104186-4
	8.00	5	6	2-104186-3
	6.73	4	5	2-104186-2
	5.46	3	4	2-104186-1
1	39.75	30	31	2-104186-0
	63.88	49	50	1-104186-9
	57.53	44	45	1-104186-8
	51.18	39	40	1-104186-7
	44.83	34	35	1-104186-6
	38.48	29	30	1-104186-5
	34.67	26	27	1-104186-4
	32.13	24	25	1-104186-3
	28.32	21	22	1-104186-2
	25.78	19	20	1-104186-1
	21.97	16	17	1-104186-0
	19.43	14	15	104186-9
	16.89	12	13	104186-8
	15.62	11	12	104186-7
	13.08	9	10	104186-6
	10.54	7	8	104186-5
	9.27	6	7	104186-4
	8.00	5	6	104186-3
	6.73	4	5	104186-2
	5.46	3	4	104186-1
FINISH	DIM_ B	A SPACES	NO OF POSN	PART NUMBER

THIS DRAWING IS A CONTROLLED DOCUMENT.		DWN G. RAMESH 10NOV2017	 TE Connectivity
DIMENSIONS: mm		CHK J. OLSON 10NOV2017	
		APVD J. OLSON 10NOV2017	
		NAME HEADER ASSEMBLY, RIGHT ANGLE, UNSHROUDED, SINGLE ROW, AMPMODU System 50	
TOLERANCES UNLESS OTHERWISE SPECIFIED: 0 PLC ± 1 PLC ± 2 PLC ±0.3 3 PLC ±0.13 4 PLC ± ANGLES ±0.5° FINISH		PRODUCT SPEC 108-1093	SIZE A200779
MATERIAL		APPLICATION SPEC 114-25031	DRAWING NO C-104186
		WEIGHT -	RESTRICTED TO
		CUSTOMER DRAWING	SCALE 5:1 SHEET 2 OF 2 REV T

X-ON Electronics

Largest Supplier of Electrical and Electronic Components

Click to view similar products for [Board to Board & Mezzanine Connectors](#) category:

Click to view products by [TE Connectivity](#) manufacturer:

Other Similar products are found below :

[589158040000018](#) [MDF7C-18P-2.54DSA\(55\)](#) [FCN-230C068-11](#) [FCN-268F012-G/BD](#) [FCN-268F036-G/BD](#) [FCN-268M012-G/0D](#) [FCN-268M024-G/1D](#) [FCN-723J004/1](#) [MIS-048-01-F-D-DP-K](#) [832-10-034-10-001000](#) [FX4C-80S-1.27DSA](#) [FCN-214Q030-G/0](#) [FCN-234P048-G/0](#) [FCN-235D050-G/C](#) [210-93-314-41-105000](#) [2-22603-0](#) [MDF7-40DP-2.54DSA\(55\)](#) [AXG720047](#) [5031084030](#) [MIT-114-03-F-D-K](#) [55323-1519](#) [DF33-2P-3.3DSA\(24\)](#) [YFT-20-05-H-03-SB-K](#) [503308-3040](#) [026-6203-PDB](#) [027-6203-PDB](#) [069159702701000](#) [10123981-102LF](#) [101A10019X](#) [55650-0588-C](#) [68682-310LF](#) [68684-306](#) [75140-7012](#) [87471-650](#) [194261-1](#) [FCN-268F024-G0D](#) [10124054-515LF](#) [68685-603](#) [8-1616154-3](#) [MIS-019-01-F-D](#) [FCN-268M024-G/3D](#) [20021832-06016C1LF](#) [KX15-20KLDL-E1000E](#) [MDF7-16DP-2.54DSA\(55\)](#) [AXE810124](#) [FCN-214J100-G/0](#) [FCN-230C068-E/S](#) [AXE812124](#) [AXE816124](#) [AXE720127](#)