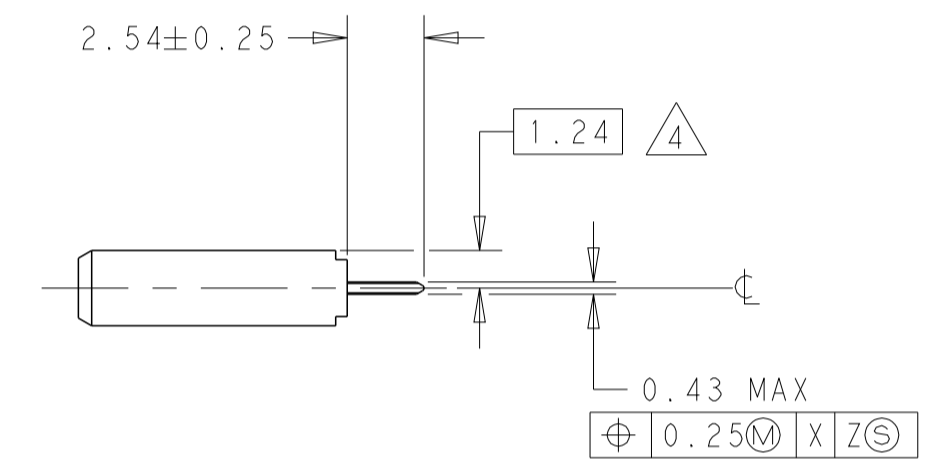
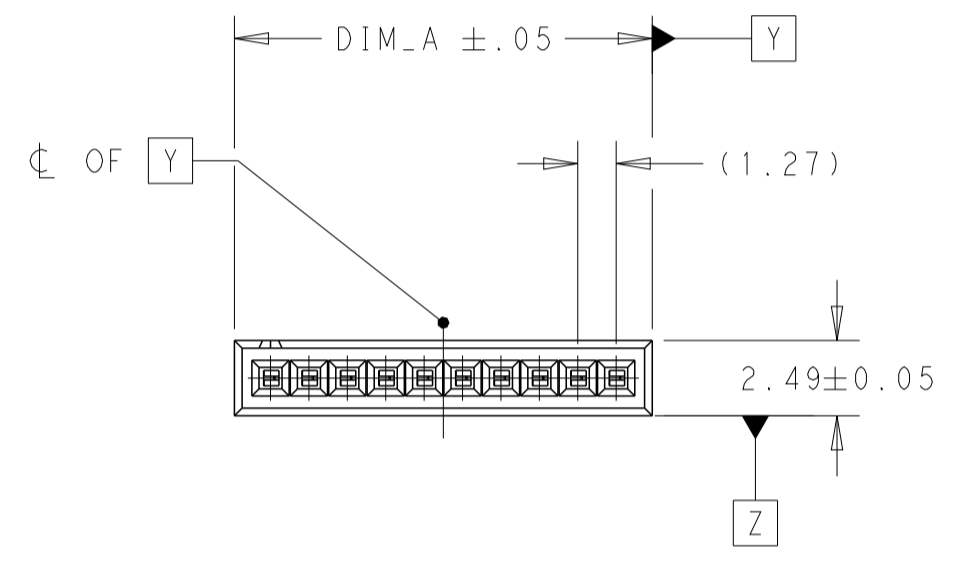
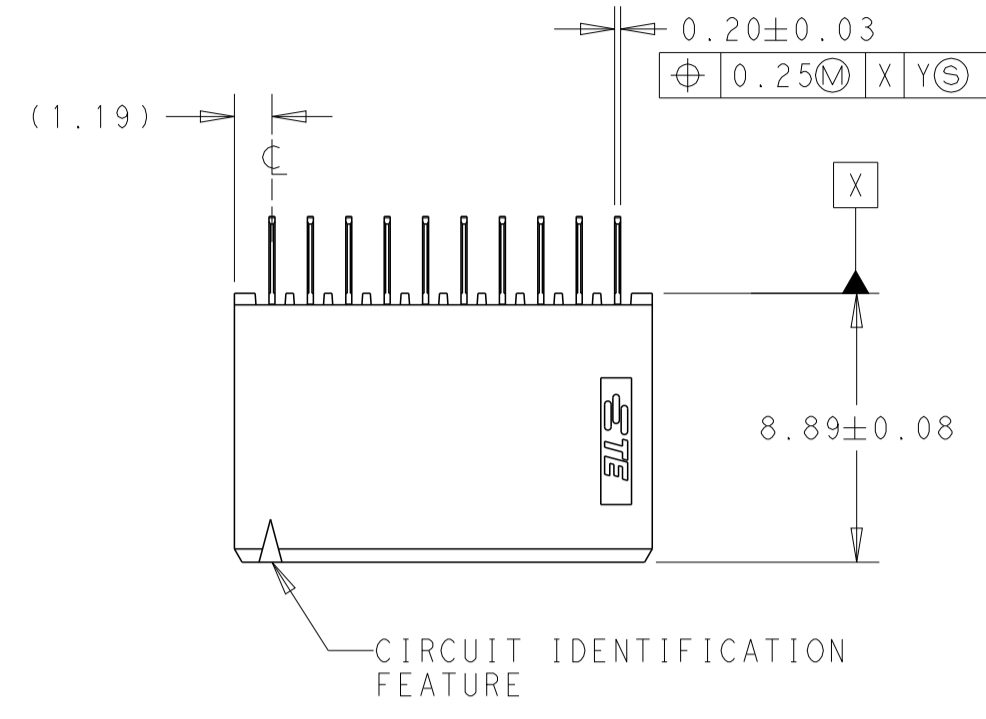
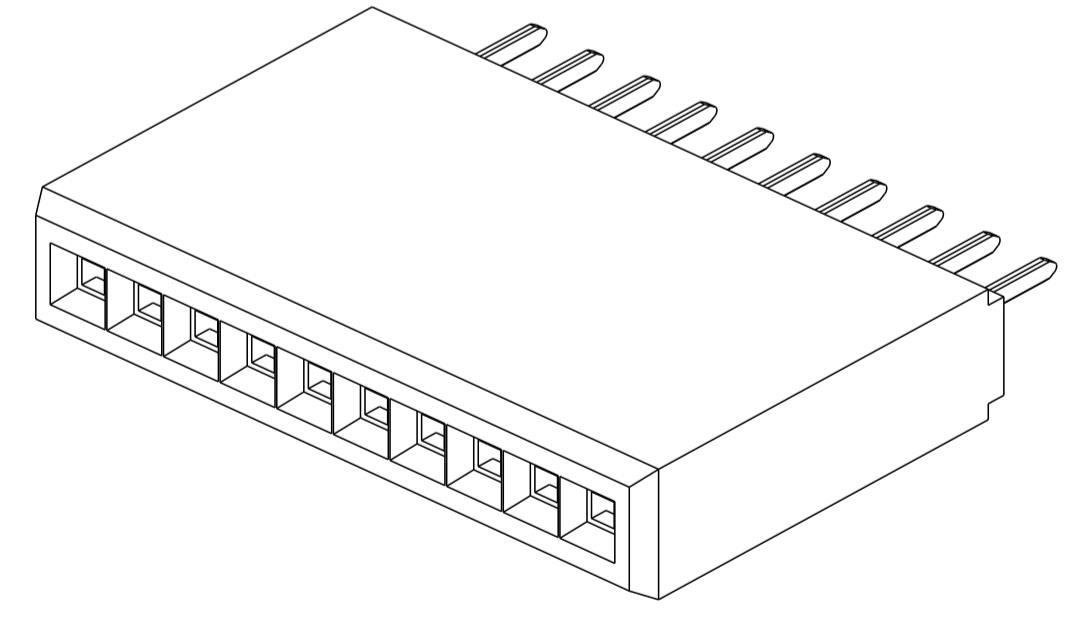
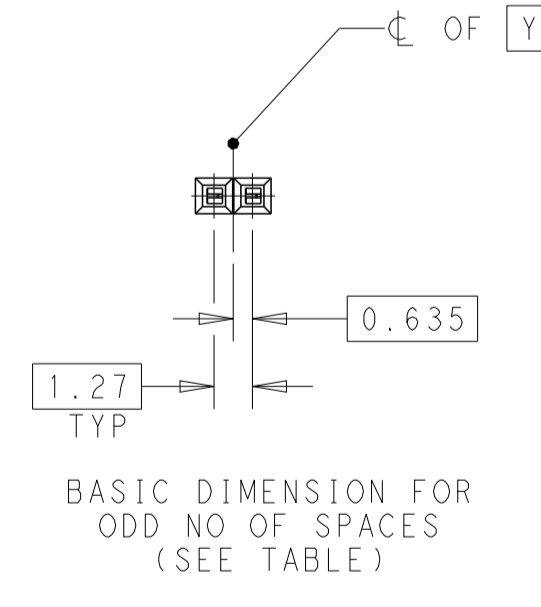
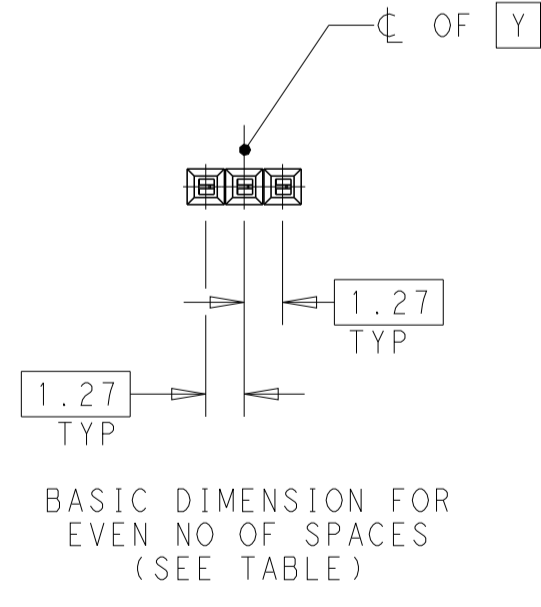
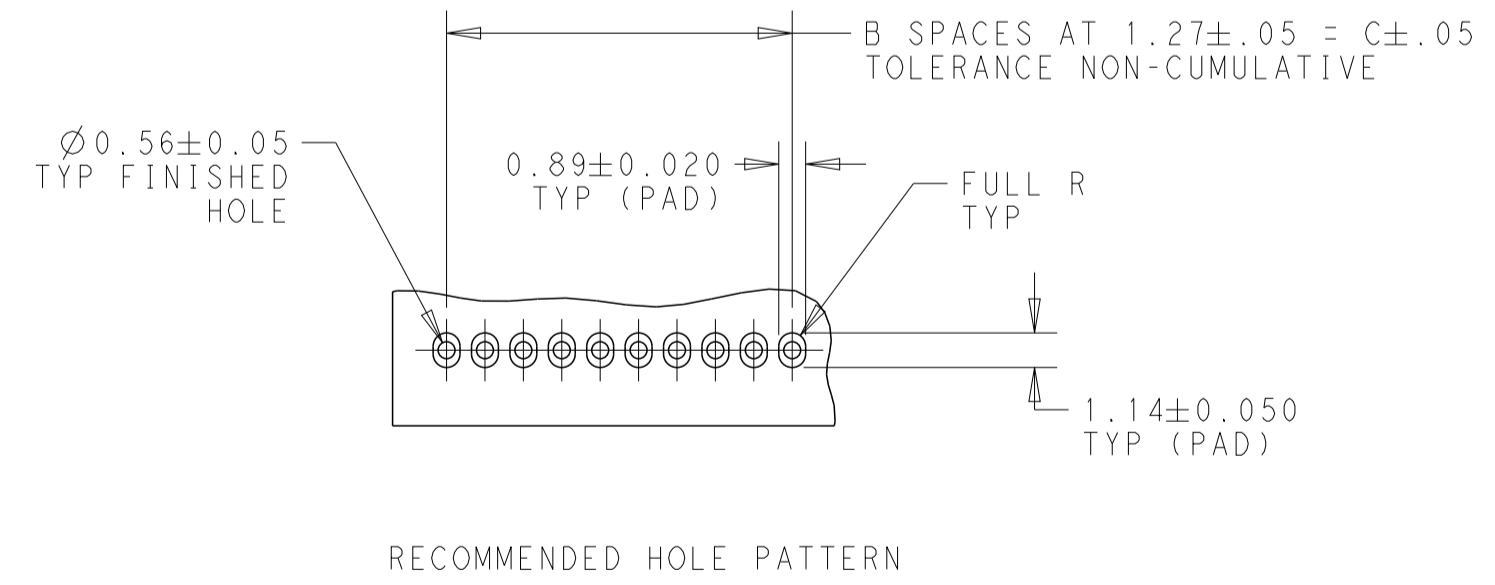


REVISIONS				
P	LTN	DESCRIPTION	DATE	APVD
U		REDRAWN/REVISED PER ECO-17-001757	07NOV2017	GR JO



- 1 CONTACT AREAS PLATED WITH 0.76µm GOLD, SOLDER TAILS PLATED WITH 3.81µm TIN-LEAD, ALL OVER 1.27µm NICKEL
- 2 NOTE DELETED.
- 3 NOTE DELETED.
- 4 THE NOTED DIMENSIONS APPLY AT THE INTERSECTION OF THE POST AND HOUSING.
- 5 CONTACT AREAS PLATED WITH 0.76µm GOLD, SOLDER TAILS PLATED WITH 3.81µm TIN, ALL OVER 1.27µm NICKEL
- 6 NOTE DELETED.
- 7 FINISH: 0.03µm MIN GOLD ON GOLD PLATED AREA, 3.81µm MATTE IN TIN-LEAD ON TIN PLATED AREA, UNDER PLATING: 1.27µm NICKEL ON ENTIRE CONTACT.
- 8 FINISH: 0.03µm MIN GOLD ON GOLD PLATED AREA, 3.81µm MATTE IN TIN ON TIN PLATED AREA, UNDER PLATING: 1.27µm NICKEL ON ENTIRE CONTACT
- 9 NOTE DELETED.
- 10 MATERIAL- HOUSING: LCP
 COLOR: BLACK
 POST: COPPER ALLOY



SCALE 8:1

THIS DRAWING IS A CONTROLLED DOCUMENT.		DWN G. RAMESH 07NOV2017	TE Connectivity
DIMENSIONS: mm		CHK J. OLSON 07NOV2017	
TOLERANCES UNLESS OTHERWISE SPECIFIED: 0 PLC ±. 1 PLC ±0.3 2 PLC ±0.13 3 PLC ±. 4 PLC ±. ANGLES ±0.5° FINISH SEE DETAIL		APVD J. OLSON 07NOV2017 PRODUCT SPEC 108-1093 APPLICATION SPEC 114-25031 WEIGHT - CUSTOMER DRAWING	NAME RECEPTACLE ASSEMBLY, VERTICAL, SINGLE ROW, AMPMODU System 50 SIZE CAGE CODE DRAWING NO RESTRICTED TO A100779C=104192 - SCALE 4:1 SHEET 1 OF 2 REV U


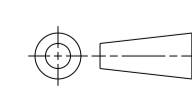
THIS DRAWING IS UNPUBLISHED. RELEASED FOR PUBLICATION 20
 © COPYRIGHT 20 BY - ALL RIGHTS RESERVED.

REVISIONS				
P	LTN	DESCRIPTION	DATE	APVD
-		SEE SHEET 1	-	-

8	31.75	25	34.14	26	8-104192-0
	15.24	13	17.63	13	7-104192-9
	5.08	4	7.47	5	7-104192-8
	36.83	29	39.22	30	7-104192-7
	30.48	24	32.87	25	7-104192-6
	24.13	19	26.52	20	7-104192-5
	17.78	14	20.17	15	7-104192-4
	13.97	11	16.36	12	7-104192-3
	11.43	9	13.82	10	7-104192-2
8.89	7	11.28	8	7-104192-1	
5	31.75	25	34.14	26	6-104192-0
	15.24	13	17.63	13	5-104192-9
	5.08	4	7.47	5	5-104192-8
	36.83	29	39.22	3	5-104192-7
	30.48	24	32.87	25	5-104192-6
	24.13	19	26.52	20	5-104192-5
	17.78	14	20.17	15	5-104192-4
	13.97	11	16.36	12	5-104192-3
	11.43	9	13.82	10	5-104192-2
8.89	7	11.28	8	5-104192-1	
FINISH	DIM_C	B SPACES	DIM_A	NO OF POSN	PART NUMBER

7	31.75	25	34.14	26	3-104192-0
	15.24	13	17.63	13	2-104192-9
	5.08	4	7.47	5	2-104192-8
	36.83	29	39.22	30	2-104192-7
	30.48	24	32.87	25	2-104192-6
	24.13	19	26.52	20	2-104192-5
	17.78	14	20.17	15	2-104192-4
	13.97	11	16.36	12	2-104192-3
	11.43	9	13.82	10	2-104192-2
8.89	7	11.28	8	2-104192-1	
1	31.75	25	34.14	26	1-104192-0
	15.24	13	17.63	13	104192-9
	5.08	4	7.47	5	104192-8
	36.83	29	39.22	3	104192-7
	30.48	24	32.87	25	104192-6
	24.13	19	26.52	20	104192-5
	17.78	14	20.17	15	104192-4
	13.97	11	16.36	12	104192-3
	11.43	9	13.82	10	104192-2
8.89	7	11.28	8	104192-1	
FINISH	DIM_C	B SPACES	DIM_A	NO OF POSN	PART NUMBER

THIS DRAWING IS A CONTROLLED DOCUMENT.

DIMENSIONS:	TOLERANCES UNLESS OTHERWISE SPECIFIED:	DWN G. RAMESH 07NOV2017	
mm	0 PLC ± 1 PLC ±0.3 2 PLC ±0.13 3 PLC ± 4 PLC ±	CHK J. OLSON 07NOV2017	
	ANGLES ±0.5°	APVD J. OLSON 07NOV2017	
MATERIAL	FINISH	NAME	
SEE DETAIL	SEE DETAIL	RECEPTACLE ASSEMBLY, VERTICAL, SINGLE ROW, AMPMODU System 50	
CUSTOMER DRAWING	WEIGHT	SIZE	RESTRICTED TO
		A100779C=104192	
	SCALE	SHEET	REV
	4:1	2 OF 2	U

X-ON Electronics

Largest Supplier of Electrical and Electronic Components

Click to view similar products for [Board to Board & Mezzanine Connectors](#) category:

Click to view products by [TE Connectivity](#) manufacturer:

Other Similar products are found below :

[589158040000018](#) [MDF7C-18P-2.54DSA\(55\)](#) [FCN-230C068-11](#) [FCN-268F012-G/BD](#) [FCN-268F036-G/BD](#) [FCN-268M012-G/0D](#) [FCN-268M024-G/1D](#) [FCN-723J004/1](#) [MIS-048-01-F-D-DP-K](#) [832-10-034-10-001000](#) [FX4C-80S-1.27DSA](#) [FCN-214Q030-G/0](#) [FCN-234P048-G/0](#) [FCN-235D050-G/C](#) [210-93-314-41-105000](#) [2-22603-0](#) [MDF7-40DP-2.54DSA\(55\)](#) [AXG720047](#) [5031084030](#) [MIT-114-03-F-D-K](#) [55323-1519](#) [DF33-2P-3.3DSA\(24\)](#) [YFT-20-05-H-03-SB-K](#) [503308-3040](#) [026-6203-PDB](#) [027-6203-PDB](#) [069159702701000](#) [10123981-102LF](#) [101A10019X](#) [55650-0588-C](#) [68684-306](#) [75140-7012](#) [194261-1](#) [FCN-268F024-G0D](#) [10124054-515LF](#) [68685-603](#) [8-1616154-3](#) [MIS-019-01-F-D](#) [541371078](#) [IL-WX-10PB-HF-B-E1000E](#) [FCN-268M024-G/3D](#) [20021832-06016C1LF](#) [KX15-20KLDL-E1000E](#) [MDF7-16DP-2.54DSA\(55\)](#) [AXE810124](#) [FCN-214J100-G/0](#) [FCN-230C068-E/S](#) [AXE812124](#) [AXE816124](#) [AXE720127](#)