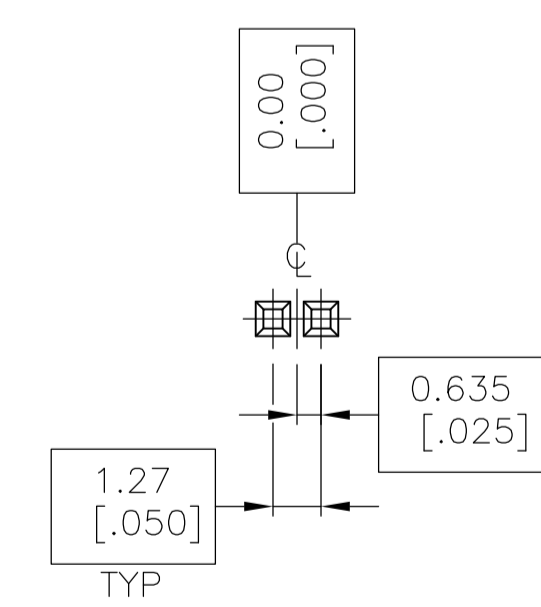


BASIC DIMENSIONS FOR EVEN NO OF SPACES (SEE TABLE)



BASIC DIMENSIONS FOR ODD NO OF SPACES (SEE TABLE)

- 1 CONTACT AREA PLATED WITH .000762 [.000030] GOLD; SOLDER TAILS PLATED WITH .000381 [.000150] TIN-LEAD; ALL OVER .001270 [.000050] NICKEL
- 2 POINT OF MEASUREMENT FOR GOLD THICKNESS IS .76 [.030] FROM MATING END OF CONTACT
- 3 CONTACT AREA PLATED WITH .000762 [.000030] GOLD; SOLDER TAILS PLATED WITH .000381 [.000150] TIN; ALL OVER .001270 [.000050] NICKEL
- 4 FINISH: 0.00002 [.000001] MIN GOLD ON GOLD PLATED AREA, 0.00381-0.00635 [.000150-.000250] MATTE TIN-LEAD ON TIN PLATED AREA. UNDER PLATING TO BE 0.00127-0.00254 [.000050-.000100] NICKEL ON ENTIRE CONTACT
- 5 PRELIMINARY PART - NOT RELEASED FOR PRODUCTION
- 6 OBSOLETE PARTS: OBSOLETE CIS STREAMLINING PER D.RENAUD/D.SINISI
- 7 SUPERSEDED
- 8 OBSOLETE
- 9 FINISH: 0.00002 [.000001] MIN GOLD ON GOLD PLATED AREA, 0.00381-0.00635 [.000150-.000250] MATTE TIN ON TIN PLATED AREA. UNDER PLATING TO BE 0.00127-0.00254 [.000050-.000100] NICKEL ON ENTIRE CONTACT

RECOMMENDED HOLE PATTERN

DETAIL R

THIS DRAWING IS A CONTROLLED DOCUMENT.		DIN D.CLOSUER 10-3-88	TE Connectivity	
DIMENSIONS: mm [INCHES]		CIK T.ZOLA 10-3-88		
TOLERANCES UNLESS OTHERWISE SPECIFIED:		APVD G.SNYDER 10-3-88	NAME	
0 PLC ± -	1 PLC ± -	PRODUCT SPEC		
2 PLC ± -	3 PLC ± -	108-1093		
4 PLC ± -	ANGLES ± -	APPLICATION SPEC		
MATERIAL: HOUSING: THERMOPLASTIC COLOR: BLACK CONTACT: COPPER ALLOY		FINISH: SEE TABLE	WEIGHT: -	RESTRICTED TO: -
CUSTOMER DRAWING		SIZE: A1	CAGE CODE: 00779	DRAWING NO: 104196
SCALE: 5:1		SHEET: 1 OF 2		REV: K

9	-	2.54 [.100]	-	5.08 [.200]	4	7.47 [.294]	5	5	7-104196-8
	17.15 [.675]	1.27 [.050]	34.29 [1.350]	36.83 [1.450]	29	39.22 [1.544]	30		7-104196-7
	-	1.27 [.050]	27.94 [1.100]	30.48 [1.200]	24	32.87 [1.294]	25	5	7-104196-6
	-	1.27 [.050]	21.59 [.850]	24.13 [.950]	19	26.52 [1.044]	20	5	7-104196-5
	-	1.27 [.050]	15.24 [.600]	17.78 [.700]	14	20.17 [.794]	15	5	7-104196-4
	-	1.27 [.050]	11.43 [.450]	13.97 [.550]	11	16.36 [.644]	12	5	7-104196-3
	-	1.27 [.050]	8.89 [.350]	11.43 [.450]	9	13.82 [.544]	10		7-104196-2
	-	-	-	-	-	-	-	5	7-104196-1
	3	-	2.54 [.100]	-	5.08 [.200]	4	7.47 [.294]	5	
17.15 [.675]		1.27 [.050]	34.29 [1.350]	36.83 [1.450]	29	39.22 [1.544]	30		5-104196-7
-		1.27 [.050]	27.94 [1.100]	30.48 [1.200]	24	32.87 [1.294]	25		5-104196-6
-		1.27 [.050]	21.59 [.850]	24.13 [.950]	19	26.52 [1.044]	20		5-104196-5
-		1.27 [.050]	15.24 [.600]	17.78 [.700]	14	20.17 [.794]	15	6	5-104196-4
-		1.27 [.050]	11.43 [.450]	13.97 [.550]	11	16.36 [.644]	12		5-104196-3
-		1.27 [.050]	8.89 [.350]	11.43 [.450]	9	13.82 [.544]	10		5-104196-2
-		-	-	-	-	-	-	5	5-104196-1
FINISH		F	E	D	C	B	A	NO OF POSN	PART NUMBER

4	-	2.54 [.100]	-	5.08 [.200]	4	7.47 [.294]	5		2-104196-8
	17.15 [.675]	1.27 [.050]	34.29 [1.350]	36.83 [1.450]	29	39.22 [1.544]	30	5	2-104196-7
	-	1.27 [.050]	27.94 [1.100]	30.48 [1.200]	24	32.87 [1.294]	25	5	2-104196-6
	-	1.27 [.050]	21.59 [.850]	24.13 [.950]	19	26.52 [1.044]	20	5	2-104196-5
	-	1.27 [.050]	15.24 [.600]	17.78 [.700]	14	20.17 [.794]	15	5	2-104196-4
	-	1.27 [.050]	11.43 [.450]	13.97 [.550]	11	16.36 [.644]	12	5	2-104196-3
	-	1.27 [.050]	8.89 [.350]	11.43 [.450]	9	13.82 [.544]	10	5	2-104196-2
	-	-	-	-	-	-	-	5	2-104196-1
	1	-	2.54 [.100]	-	5.08 [.200]	4	7.47 [.294]	5	8
17.15 [.675]		1.27 [.050]	34.29 [1.350]	36.83 [1.450]	29	39.22 [1.544]	30	8	104196-7
-		1.27 [.050]	27.94 [1.100]	30.48 [1.200]	24	32.87 [1.294]	25	8	104196-6
-		1.27 [.050]	21.59 [.850]	24.13 [.950]	19	26.52 [1.044]	20		104196-5
-		1.27 [.050]	15.24 [.600]	17.78 [.700]	14	20.17 [.794]	15	6	104196-4
-		1.27 [.050]	11.43 [.450]	13.97 [.550]	11	16.36 [.644]	12	8	104196-3
-		1.27 [.050]	8.89 [.350]	11.43 [.450]	9	13.82 [.544]	10	7	104196-2
-		-	-	-	-	-	-	8	104196-1
FINISH		F	E	D	C	B	A	NO OF POSN	PART NUMBER

THIS DRAWING IS A CONTROLLED DOCUMENT.

DIN D_CLOSUER 10-3-88
 CHK T_ZOLA 10-3-88
 APVO G_SNYDER 10-3-88

TE Connectivity

RECEPTACLE ASSEMBLY, RIGHT ANGLE, SINGLE ROW, AMPMODU® SYSTEM 50

PRODUCT SPEC 108-1093
 APPLICATION SPEC 114-25031

SIZE A1 CASE CODE DRAWING NO. 00779C=104196 RESTRICTED TO
 WEIGHT - SCALE 5:1 SHEET 2 OF 2 REV K

CUSTOMER DRAWING

X-ON Electronics

Largest Supplier of Electrical and Electronic Components

Click to view similar products for [Board to Board & Mezzanine Connectors](#) category:

Click to view products by [TE Connectivity](#) manufacturer:

Other Similar products are found below :

[589158040000018](#) [MDF7C-18P-2.54DSA\(55\)](#) [FCN-230C068-11](#) [FCN-268F012-G/BD](#) [FCN-268F036-G/BD](#) [FCN-268M012-G/0D](#) [FCN-268M024-G/1D](#) [FCN-723J004/1](#) [MIS-048-01-F-D-DP-K](#) [832-10-034-10-001000](#) [FX4C-80S-1.27DSA](#) [FCN-214Q030-G/0](#) [FCN-234P048-G/0](#) [FCN-235D050-G/C](#) [210-93-314-41-105000](#) [2-22603-0](#) [MDF7-40DP-2.54DSA\(55\)](#) [AXG720047](#) [5031084030](#) [MIT-114-03-F-D-K](#) [55323-1519](#) [DF33-2P-3.3DSA\(24\)](#) [YFT-20-05-H-03-SB-K](#) [503308-3040](#) [026-6203-PDB](#) [027-6203-PDB](#) [069159702701000](#) [10123981-102LF](#) [101A10019X](#) [55650-0588-C](#) [68682-310LF](#) [68684-306](#) [75140-7012](#) [87471-650](#) [194261-1](#) [FCN-268F024-G0D](#) [10124054-515LF](#) [68685-603](#) [8-1616154-3](#) [MIS-019-01-F-D](#) [FCN-268M024-G/3D](#) [20021832-06016C1LF](#) [KX15-20KLDL-E1000E](#) [MDF7-16DP-2.54DSA\(55\)](#) [AXE810124](#) [FCN-214J100-G/0](#) [FCN-230C068-E/S](#) [AXE812124](#) [AXE816124](#) [AXE720127](#)