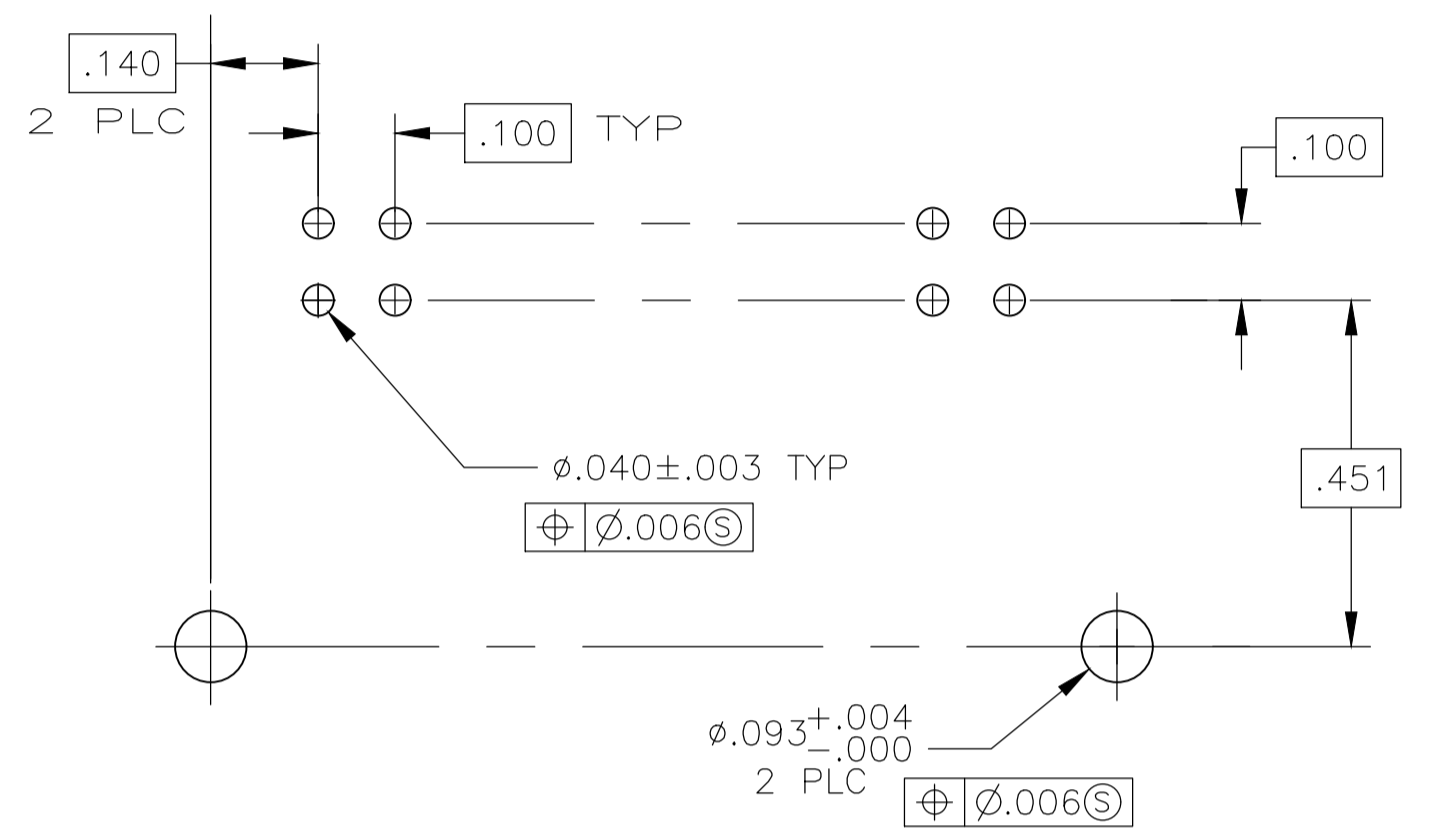
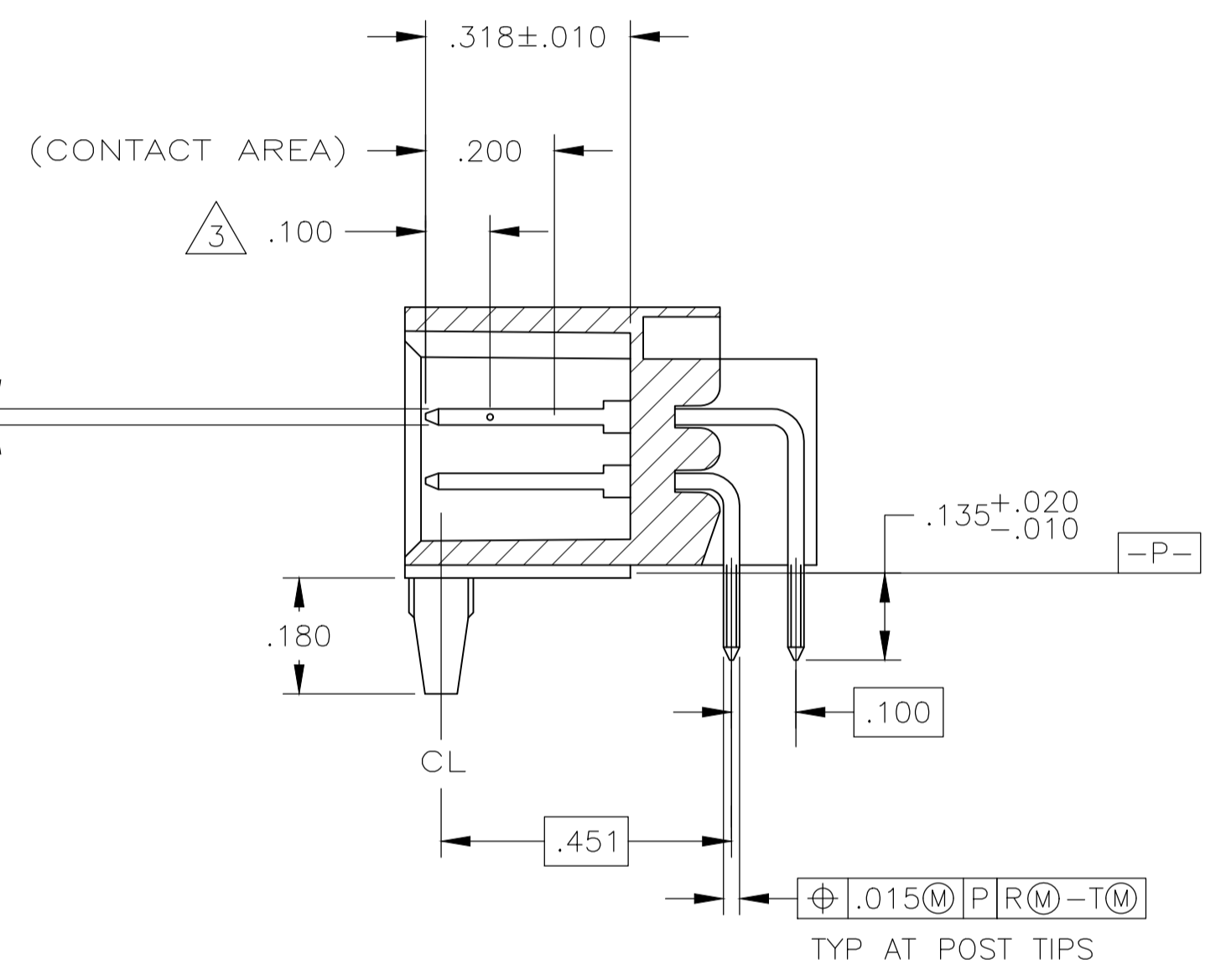
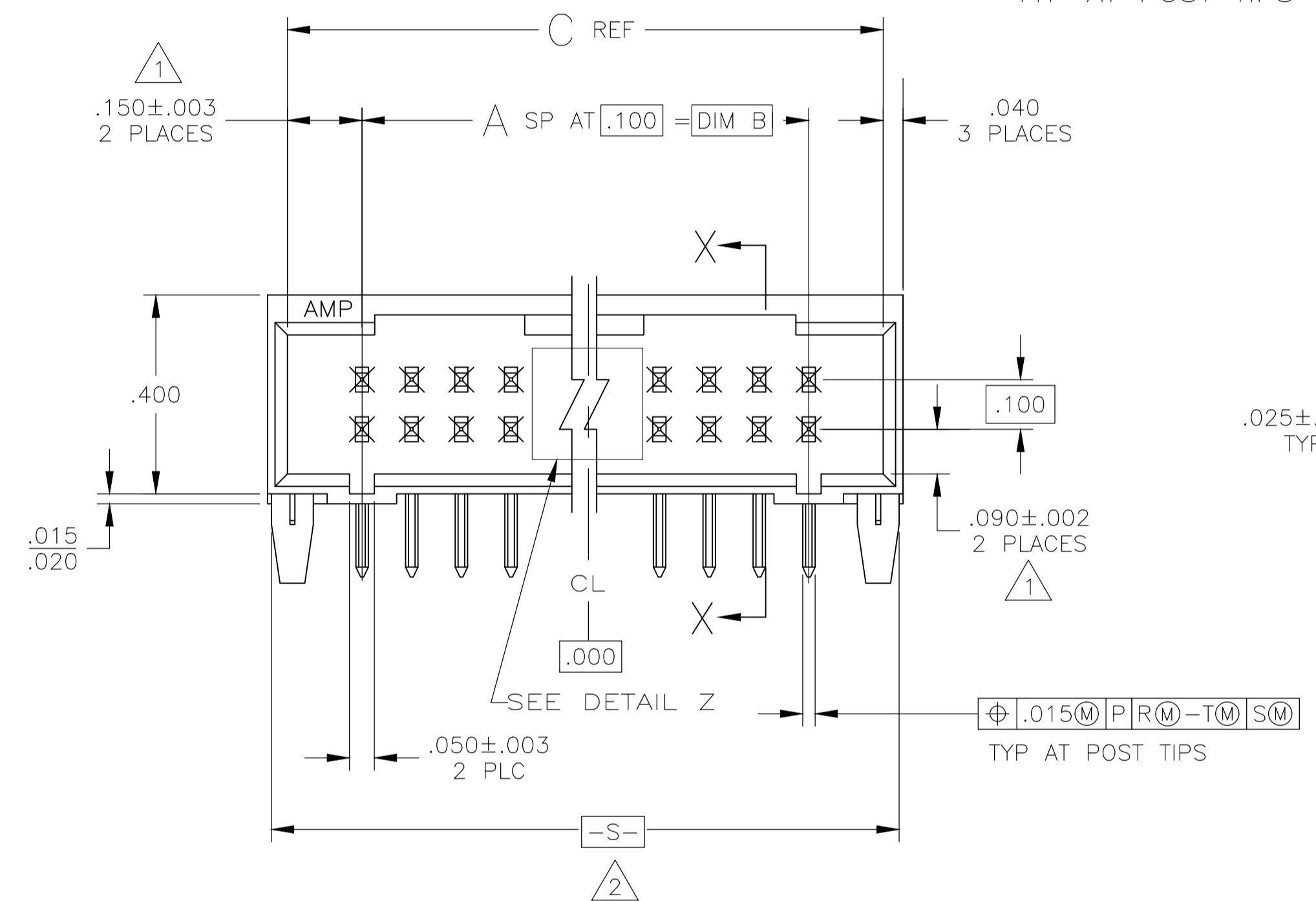
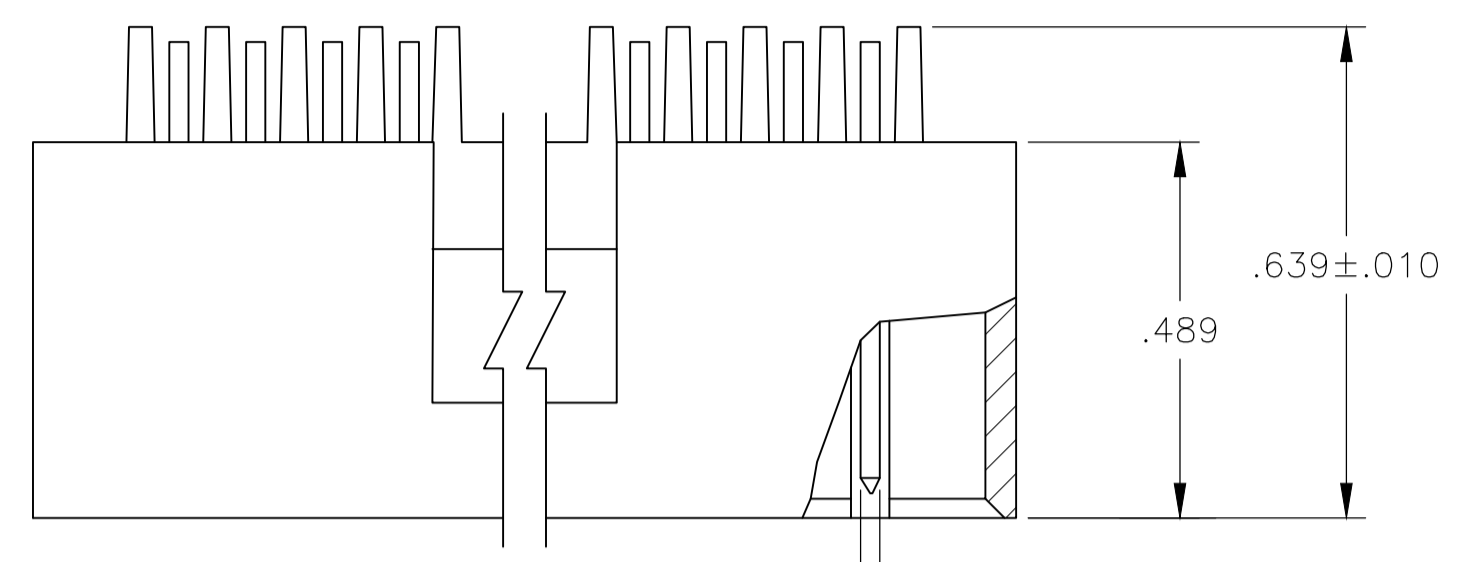
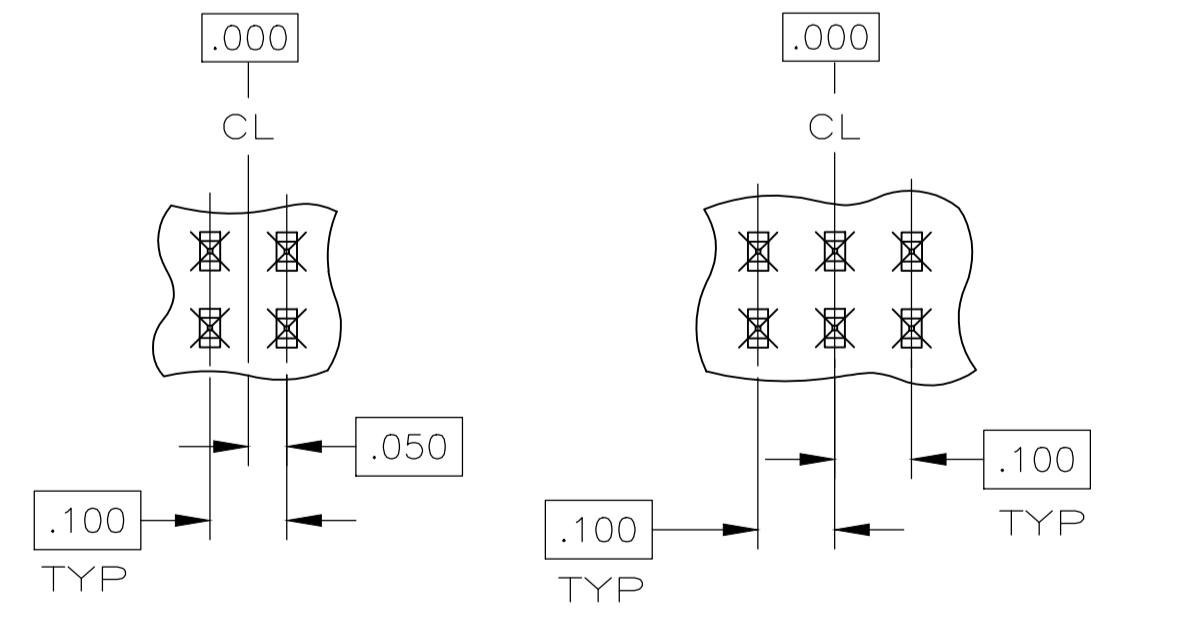
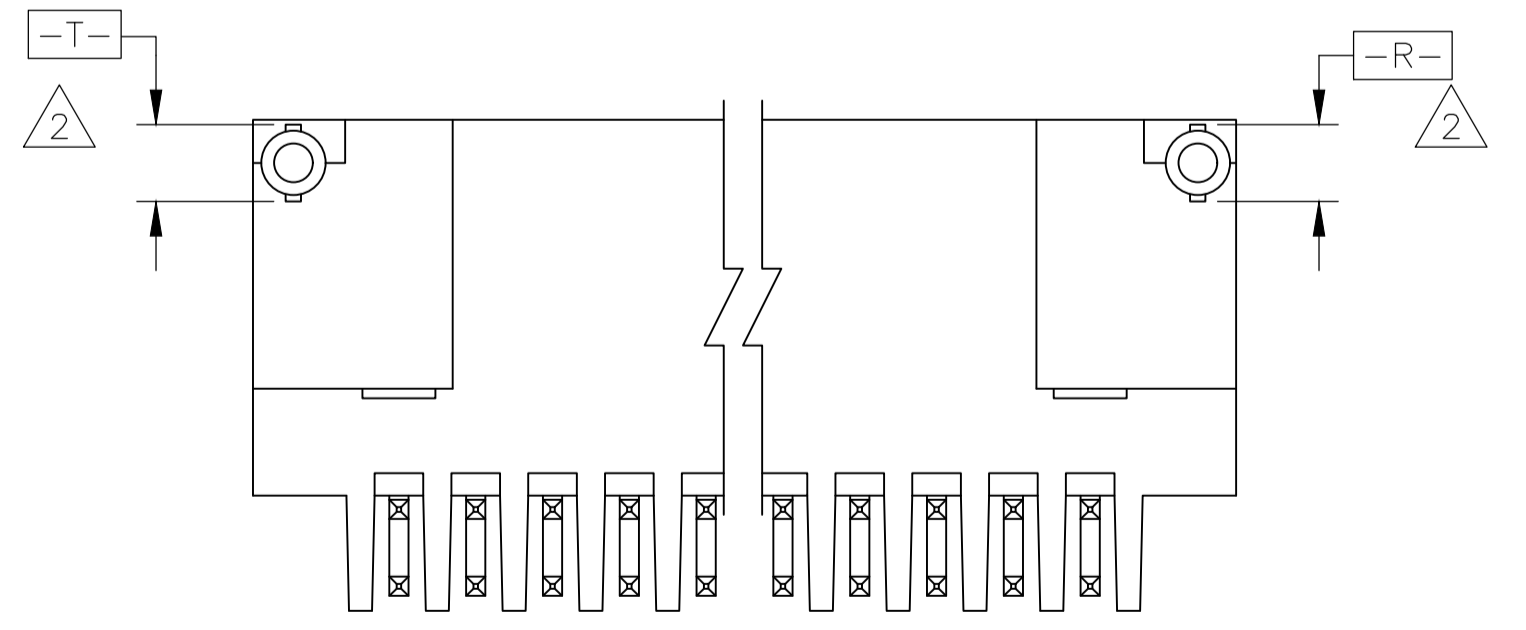


REVISIONS					
P	LTR	DESCRIPTION	DATE	DMN	APVD
H3		PART STATUS UPDATED IN PART LIST TABLE	16FEB2018	SD	PS

- 1 THE NOTED DIMENSIONS APPLY AT THE INTERSECTION OF THE POST AND HOUSING
- 2 THE NOTED DIMENSIONS APPLY AT THE INTERSECTION WITH DATUM $-P-$
- 3 POINT OF MEASUREMENT FOR PLATING THICKNESS
- 4 POSTS: .000015 GOLD IN CONTACT AREA, .000100-.000200 MATTE TIN-LEAD ON SOLDER TAIL, ALL OVER .000050 NICKEL
- 5 POSTS: .000015 GOLD IN CONTACT AREA, .000100-.000200 MATTE TIN ON SOLDER TAIL, ALL OVER .000050 NICKEL
- 6 OBSOLETE PARTS: OBSOLETE CIS STREAMLINING PER D.RENAUD/D.SINISI



RECOMMENDED HOLE LAYOUT



BASIC DIMENSION FOR ODD NO. OF SPACES (SEE TABLE) BASIC DIMENSION FOR EVEN NO. OF SPACES (SEE TABLE)

DETAIL Z

PLATING	NO OF SPACES	C	B	A	NO OF POSN	ASSEMBLY PART NUMBER
6 OBSOLETE	23	2.600	2.300	23	48	5-104319-9
5	5	.800	.500	5	12	5-104319-8
4	4	.700	.400	4	10	5-104319-7
6 OBSOLETE	16	1.900	1.600	16	34	5-104319-6
6	6	.900	.600	6	14	5-104319-5
5	19	2.200	1.900	19	40	5-104319-4
5	14	1.700	1.400	14	30	5-104319-3
5	9	1.200	.900	9	20	5-104319-2
5	7	1.000	.700	7	16	5-104319-1
6 OBSOLETE	23	2.600	2.300	23	48	104319-9
5	5	.800	.500	5	12	104319-8
4	4	.700	.400	4	10	104319-7
4	16	1.900	1.600	16	34	104319-6
4	6	.900	.600	6	14	104319-5
4	19	2.200	1.900	19	40	104319-4
4	14	1.700	1.400	14	30	104319-3
4	9	1.200	.900	9	20	104319-2
4	7	1.000	.700	7	16	104319-1

SUPERCEDED BY 5-104319-7

THIS DRAWING IS A CONTROLLED DOCUMENT. DIN H MOLL 19-10-87. CHK R FEJDT 19-10-87. APVD NAME

DIMENSIONS: INCHES. TOLERANCES UNLESS OTHERWISE SPECIFIED: 0 PLC ± -, 1 PLC ± -, 2 PLC ± -, 3 PLC ± .005, 4 PLC ± -. ANGLES ± -.

MATERIAL: HOUSING, FLAME RETARDANT THERMOPLASTIC; COLOR-BLACK; POSTS, PHOS BRONZE. FINISH: SEE TABLE. WEIGHT: -. SIZE: A1.00779. DRAWING NO: 104319. CUSTOMER DRAWING. SCALE: 4:1. SHEET 1 OF 1. REV H3.

STE TE Connectivity
HDR ASSY, MOD II, SHROUDED, 4 SIDES, DR, .100X.100 q, RT ANGLE, W/ .025 SQ POSTS

X-ON Electronics

Largest Supplier of Electrical and Electronic Components

Click to view similar products for [Headers & Wire Housings](#) category:

Click to view products by [TE Connectivity](#) manufacturer:

Other Similar products are found below :

[892-18-020-10-001101](#) [58102-G61-06LF](#) [582553-1](#) [0009485154](#) [009176003701906](#) [0050291907](#) [LY20-4P-DT1-P1E-BR](#) [02.125.8002.8](#)
[609-3404](#) [61062-3](#) [61082-181009](#) [622-3653LF](#) [63453-116](#) [636-1030](#) [636-1427](#) [636-3427](#) [636-4007](#) [641938-9](#) [641991-4](#) [644827-2](#) [65817-010LF](#) [65817-015LF](#) [65863-015LF](#) [66207-023LF](#) [67095-007LF](#) [67601157](#) [68645-018](#) [68648-049](#) [70.362.1628.0](#) [70-4210](#) [70-4226B](#) [70-4853B](#) [707-5020](#) [707-5028](#) [71.350.2428.0](#) [71918-208LF](#) [71961-016LF](#) [733-134](#) [733-162](#) [754199-000](#) [760-3052](#) [787-8014-00](#) [79531-3000](#)
[FCN-360C032-B](#) [FCN-367T-T012/H](#) [FCN-723D010/2](#) [80.063.4001.1](#) [800-90-001-10-001000](#) [800-90-010-10-002000](#) [801-43-002-10-013000](#)