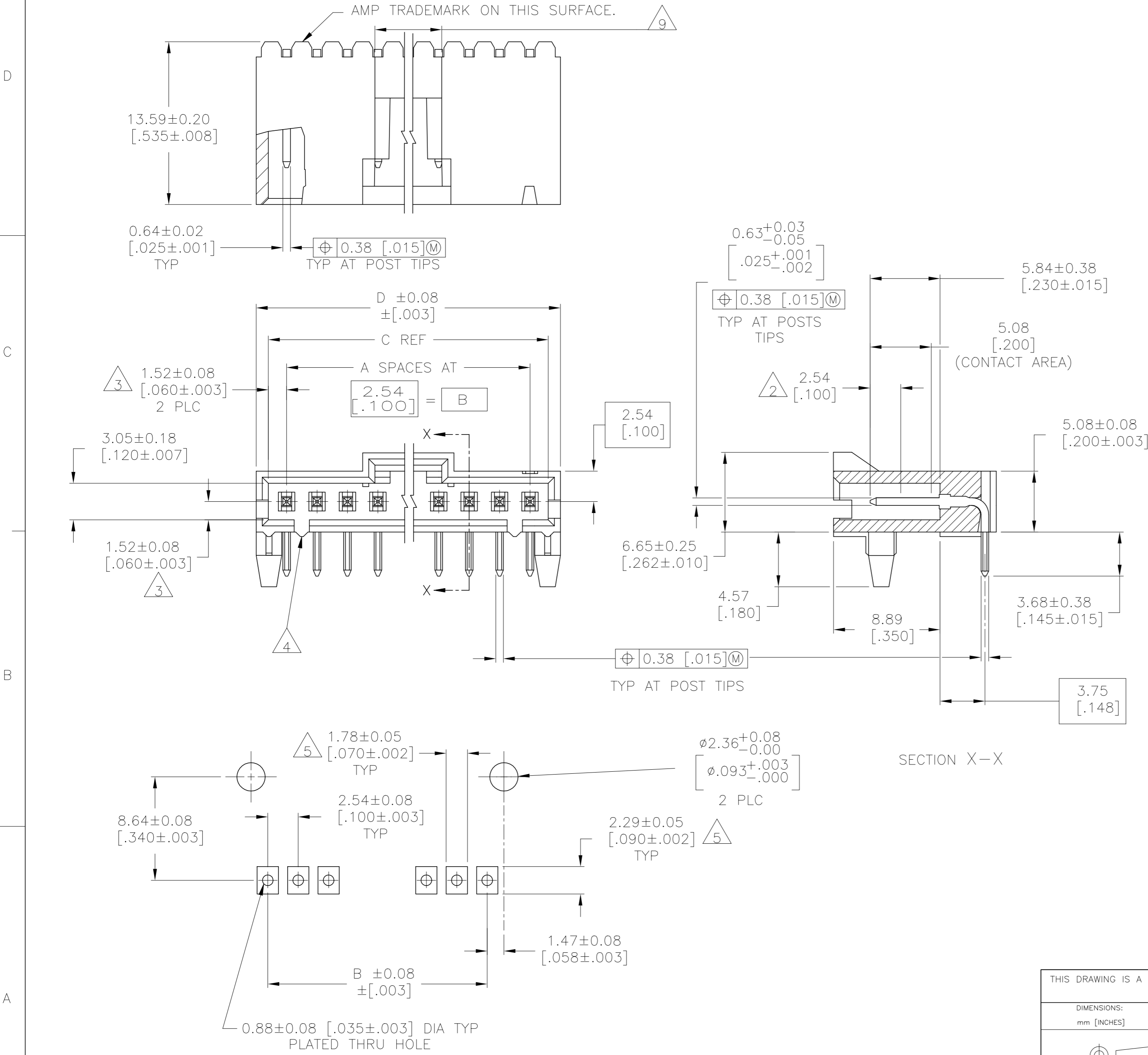


REVISIONS					
P	LTR	DESCRIPTION	DATE	DWN	APVD
R		REVISED PER ECO-17-002210	10APR2017	RS	MM
S		REVISED PER ECO-20-001323	19JUN2020	SM	JO



- 1 0.000381 [.000015] GOLD IN THE CONTACT AREA, 0.00254-0.00508 [.000100-.000200] MATTE TIN-LEAD ON THE SOLDER TAIL, ALL OVER 0.00127 [.000050] NICKEL.
- 2 POINT OF MEASUREMENT FOR PLATING THICKNESS
- 3 THE NOTED DIMENSIONS APPLY FROM THE BASIC DIMENSION LINE (NOT THE POST CENTERLINE) TO THE SURFACE INDICATED
- 4 ON ASSEMBLIES WITH FOUR OR MORE POSITIONS, TWO POLARIZATION SLOTS. ON ASSEMBLIES WITH TWO OR THREE POSITIONS, ONE POLARIZATION SLOT.
- 5 DIMENSIONS NOTED ARE FOR SOLDER STENCIL LAYOUT FOR USE WITH A 1.57±0.20 [.062±.008] THICK. PRINTED CIRCUIT BOARD
- 6 PARTS ARE PACKAGED IN GANG OF TUBES
- 7 0.000381 [.000015] GOLD IN THE CONTACT AREA, 0.00254-0.00508 [.000100-.000200] MATTE TIN ON THE SOLDER TAIL, ALL OVER 0.00127 [.000050] NICKEL.
- 8 OBSOLETE PARTS: OBSOLETE CIS STREAMLINING PER D.RENAUD/D.SINISI
- 9 0.25 [.010] RECESS PERMISSIBLE IN THIS AREA FOR MOLD SHUT OFF

RECOMMENDED PC BOARD MOUNTING DIMENSIONS
 RECOMMENDED STENCIL THICKNESS = 0.25 [.010]

SEE SHEET 2 FOR PART NUMBER TABLE


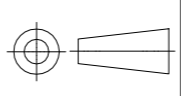
THIS DRAWING IS A CONTROLLED DOCUMENT.		DWN G. DOUITY 2-22-88			
DIMENSIONS: mm [INCHES]		CHK T. C. CLARK 2-22-88			
		APVD T. C. CLARK 2-22-88	NAME		
		PRODUCT SPEC			
MATERIAL HOUSING : LCP COLOR : BLACK POSTS : BRASS		APPLICATION SPEC		HEADER ASSY, AMPMODU MTE, RIGHT ANGLE, SINGLE ROW, .100 POSTS, WITH LATCH & HOLD DOWNS	
FINISH SEE TABLE		WEIGHT		SIZE A2	CAGE CODE 00779
		CUSTOMER DRAWING		DRAWING NO 104361	RESTRICTED TO
		SCALE 4:1		SHEET 1 of 2	REV S

THIS DRAWING IS UNPUBLISHED. RELEASED FOR PUBLICATION - , -
 © COPYRIGHT - By - ALL RIGHTS RESERVED.

REVISIONS					
P	LTR	DESCRIPTION	DATE	DWN	APVD
-	-	SEE SHEET 1	-	-	-

△		65.91 [2.595]	64.01 [2.520]	60.96 [2.400]	24	25	7-104361-4			
△		63.37 [2.495]	61.47 [2.420]	58.42 [2.300]	23	24	7-104361-3			
△		60.83 [2.395]	58.93 [2.320]	55.88 [2.200]	22	23	7-104361-2			
△		58.29 [2.295]	56.39 [2.220]	53.34 [2.100]	21	22	7-104361-1			
△		55.75 [2.195]	53.85 [2.120]	50.8 [2.000]	20	21	7-104361-0			
△		53.21 [2.095]	51.31 [2.020]	48.26 [1.900]	19	20	6-104361-9			
△		50.67 [1.995]	48.77 [1.920]	45.72 [1.800]	18	19	6-104361-8			
△		48.13 [1.895]	46.23 [1.820]	43.18 [1.700]	17	18	6-104361-7			
△		45.59 [1.795]	43.69 [1.720]	40.64 [1.600]	16	17	6-104361-6			
△		43.05 [1.695]	41.15 [1.620]	38.1 [1.500]	15	16	6-104361-5			
△		40.51 [1.595]	38.61 [1.520]	35.56 [1.400]	14	15	6-104361-4			
△		37.97 [1.495]	36.07 [1.420]	33.02 [1.300]	13	14	6-104361-3			
△		35.43 [1.395]	33.53 [1.320]	30.48 [1.200]	12	13	6-104361-2			
△		32.89 [1.295]	30.99 [1.220]	27.94 [1.100]	11	12	6-104361-1			
△		30.35 [1.195]	28.45 [1.120]	25.4 [1.000]	10	11	6-104361-0			
△		27.81 [1.095]	25.91 [1.020]	22.86 [.900]	9	10	5-104361-9			
△		25.27 [.995]	23.37 [.920]	20.32 [.800]	8	9	5-104361-8			
△		22.73 [.895]	20.83 [.820]	17.78 [.700]	7	8	5-104361-7			
△		20.19 [.795]	18.29 [.720]	15.24 [.600]	6	7	5-104361-6			
△		17.65 [.695]	15.75 [.620]	12.7 [.500]	5	6	5-104361-5			
△		15.11 [.595]	13.21 [.520]	10.16 [.400]	4	5	5-104361-4			
△		12.57 [.495]	10.67 [.420]	7.62 [.300]	3	4	5-104361-3			
△		10.03 [.395]	8.13 [.320]	5.08 [.200]	2	3	5-104361-2			
△		7.49 [.295]	5.59 [.220]	2.54 [.100]	1	2	5-104361-1			
△	8	SUPERSEDED BY 7-104361-4	△	1	65.91 [2.595]	64.01 [2.520]	60.96 [2.400]	24	25	2-104361-4
△	8	SUPERSEDED BY 7-104361-3	△	1	63.37 [2.495]	61.47 [2.420]	58.42 [2.300]	23	24	2-104361-3
△	8	SUPERSEDED BY 7-104361-2	△	1	60.83 [2.395]	58.93 [2.320]	55.88 [2.200]	22	23	2-104361-2
△	8	SUPERSEDED BY 7-104361-1	△	1	58.29 [2.295]	56.39 [2.220]	53.34 [2.100]	21	22	2-104361-1
△	8	SUPERSEDED BY 7-104361-0	△	1	55.75 [2.195]	53.85 [2.120]	50.8 [2.000]	20	21	2-104361-0
△	8	SUPERSEDED BY 6-104361-8	△	1	53.21 [2.095]	51.31 [2.020]	48.26 [1.900]	19	20	1-104361-9
△	8	SUPERSEDED BY 6-104361-7	△	1	50.67 [1.995]	48.77 [1.920]	45.72 [1.800]	18	19	1-104361-8
△	8	SUPERSEDED BY 6-104361-6	△	1	48.13 [1.895]	46.23 [1.820]	43.18 [1.700]	17	18	1-104361-7
△	8	SUPERSEDED BY 6-104361-5	△	1	45.59 [1.795]	43.69 [1.720]	40.64 [1.600]	16	17	1-104361-6
△	8	SUPERSEDED BY 6-104361-4	△	1	43.05 [1.695]	41.15 [1.620]	38.1 [1.500]	15	16	1-104361-5
△	8	SUPERSEDED BY 6-104361-3	△	1	40.51 [1.595]	38.61 [1.520]	35.56 [1.400]	14	15	1-104361-4
△	8	SUPERSEDED BY 6-104361-2	△	1	37.97 [1.495]	36.07 [1.420]	33.02 [1.300]	13	14	1-104361-3
△	8	SUPERSEDED BY 6-104361-1	△	1	35.43 [1.395]	33.53 [1.320]	30.48 [1.200]	12	13	1-104361-2
△	8	SUPERSEDED BY 6-104361-0	△	1	32.89 [1.295]	30.99 [1.220]	27.94 [1.100]	11	12	1-104361-1
△	8	SUPERSEDED BY 6-104361-0	△	1	30.35 [1.195]	28.45 [1.120]	25.4 [1.000]	10	11	1-104361-0
△	8		△	1	27.81 [1.095]	25.91 [1.020]	22.86 [.900]	9	10	104361-9
△	8		△	1	25.27 [.995]	23.37 [.920]	20.32 [.800]	8	9	104361-8
△	8		△	1	22.73 [.895]	20.83 [.820]	17.78 [.700]	7	8	104361-7
△	8		△	1	20.19 [.795]	18.29 [.720]	15.24 [.600]	6	7	104361-6
△	8		△	1	17.65 [.695]	15.75 [.620]	12.7 [.500]	5	6	104361-5
△	8		△	1	15.11 [.595]	13.21 [.520]	10.16 [.400]	4	5	104361-4
△	8		△	1	12.57 [.495]	10.67 [.420]	7.62 [.300]	3	4	104361-3
△	8		△	1	10.03 [.395]	8.13 [.320]	5.08 [.200]	2	3	104361-2
△	8		△	1	7.49 [.295]	5.59 [.220]	2.54 [.100]	1	2	104361-1
		PLATING		D	C	B	A	NO OF POSN	ASSEMBLY PART NUMBER	

△ 8 SUPERSEDED BY 7-104361-4
 △ 8 SUPERSEDED BY 7-104361-3
 △ 8 SUPERSEDED BY 7-104361-2
 △ 8 SUPERSEDED BY 7-104361-1
 △ 8 SUPERSEDED BY 7-104361-0
 △ 8 SUPERSEDED BY 6-104361-8
 △ 8 SUPERSEDED BY 6-104361-7
 △ 8 SUPERSEDED BY 6-104361-6
 △ 8 SUPERSEDED BY 6-104361-5
 △ 8 SUPERSEDED BY 6-104361-4
 △ 8 SUPERSEDED BY 6-104361-2
 △ 8 SUPERSEDED BY 6-104361-0

THIS DRAWING IS A CONTROLLED DOCUMENT.		DWN G. DOUTY 2-22-88	 TE Connectivity	
DIMENSIONS: mm [INCHES]		CHK T. C. CLARK 2-22-88		
		APVD T. C. CLARK 2-22-88	NAME HEADER ASSY, AMPMODU MTE, RIGHT ANGLE, SINGLE ROW, .100 POSTS, WITH LATCH & HOLD DOWNS	
TOLERANCES UNLESS OTHERWISE SPECIFIED: 0 PLC ± - 1 PLC ± - 2 PLC ± - 3 PLC ± - 4 PLC ± - ANGLES ± -		PRODUCT SPEC -	SIZE A2	
MATERIAL HOUSING : LCP COLOR : BLACK POSTS : BRASS		APPLICATION SPEC -	CAGE CODE 00779	DRAWING NO 104361
SEE TABLE		WEIGHT -	RESTRICTED TO -	SCALE 4:1
CUSTOMER DRAWING			SHEET 2 of 2	REV S

X-ON Electronics

Largest Supplier of Electrical and Electronic Components

Click to view similar products for [Headers & Wire Housings](#) category:

Click to view products by [TE Connectivity](#) manufacturer:

Other Similar products are found below :

[892-18-020-10-001101](#) [58102-G61-06LF](#) [582553-1](#) [0009485154](#) [009176003701906](#) [0050291907](#) [LY20-4P-DT1-P1E-BR](#) [02.125.8002.8](#)
[609-3404](#) [61062-3](#) [61082-181009](#) [622-3653LF](#) [63453-116](#) [636-1030](#) [636-1427](#) [636-3427](#) [636-4007](#) [641938-9](#) [641991-4](#) [644827-2](#) [65817-](#)
[010LF](#) [65817-015LF](#) [65863-015LF](#) [66207-023LF](#) [67095-007LF](#) [67601157](#) [68645-018](#) [68648-049](#) [70.362.1628.0](#) [70-4210](#) [70-4226B](#) [70-](#)
[4853B](#) [707-5020](#) [707-5028](#) [71.350.2428.0](#) [71918-208LF](#) [71961-016LF](#) [733-134](#) [733-162](#) [754199-000](#) [760-3052](#) [787-8014-00](#) [79531-3000](#)
[FCN-360C032-B](#) [FCN-367T-T012/H](#) [FCN-723D010/2](#) [80.063.4001.1](#) [800-90-001-10-001000](#) [800-90-010-10-002000](#) [801-43-002-10-013000](#)