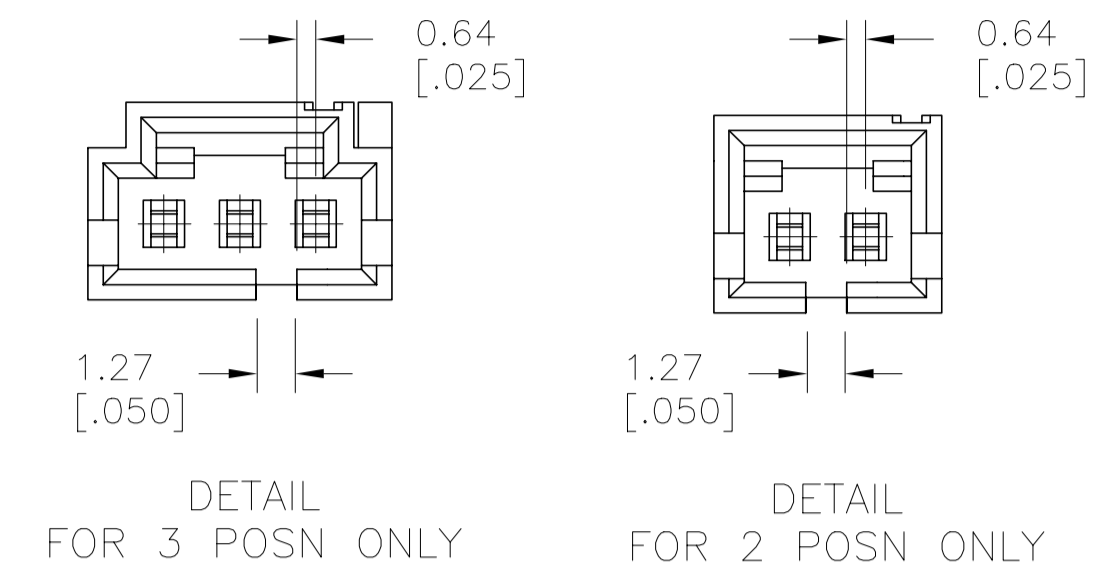
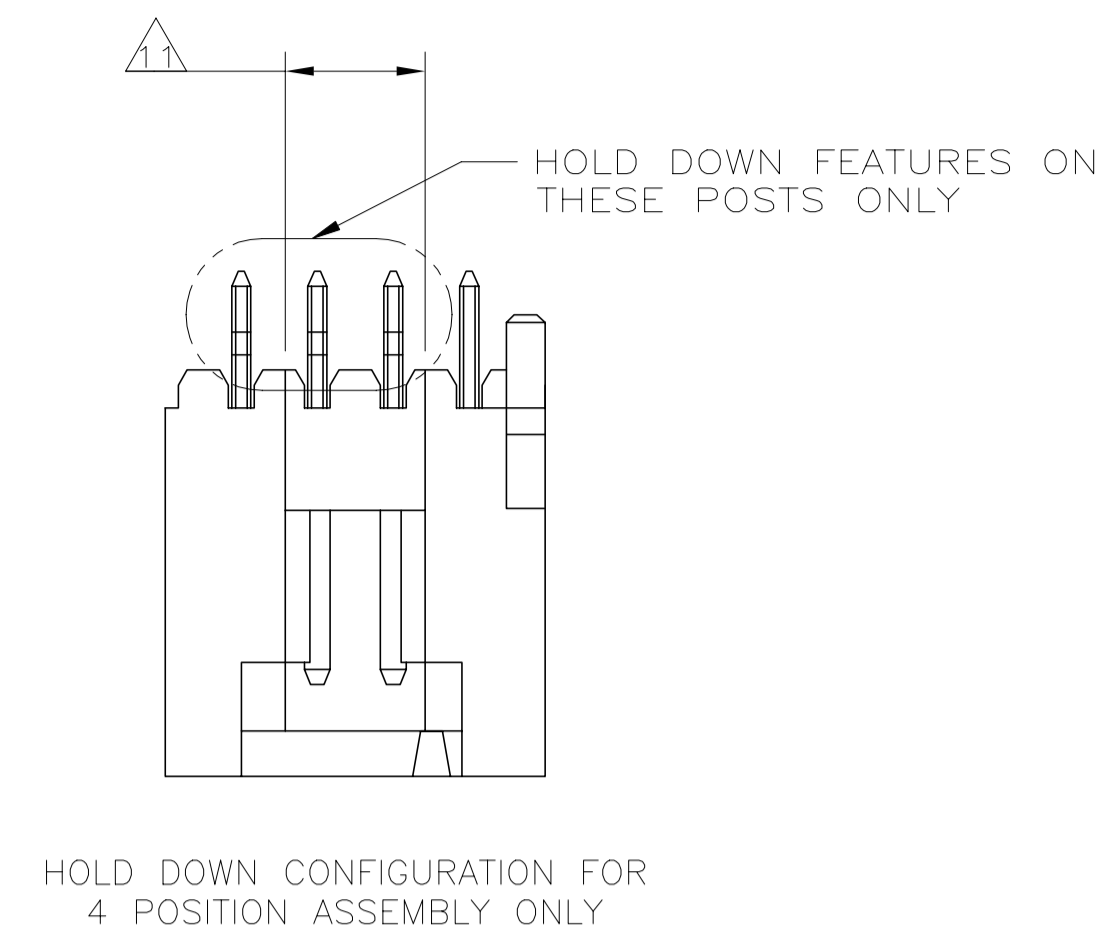
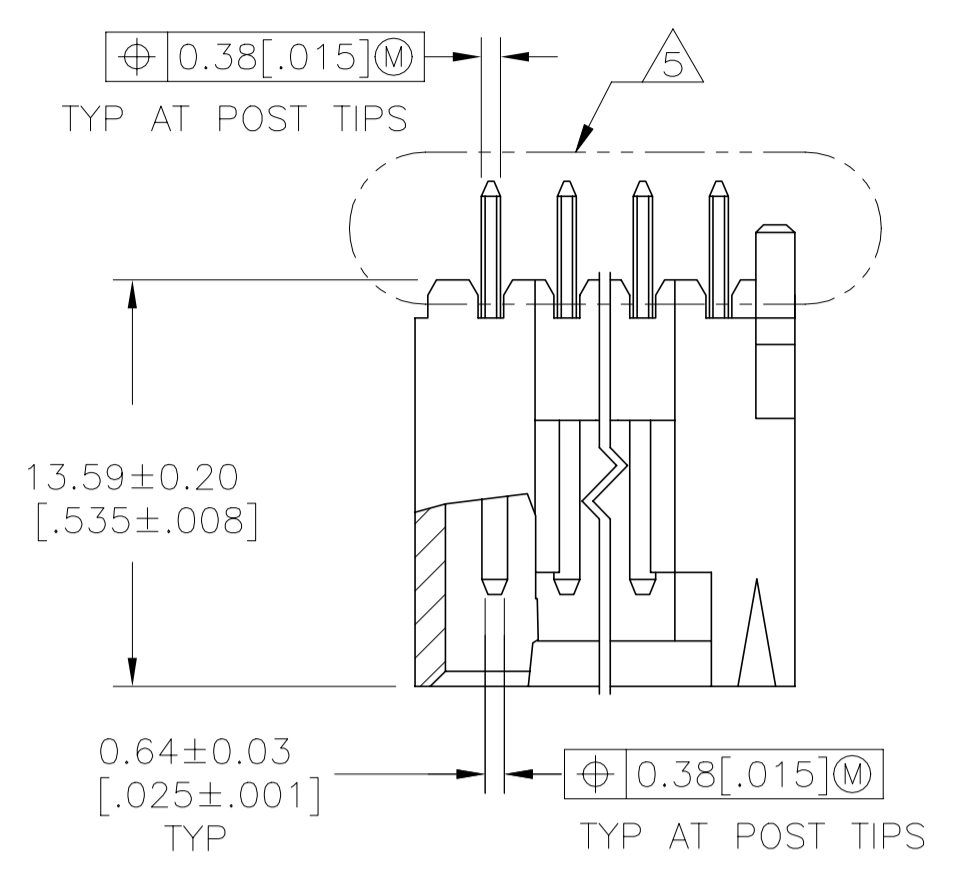
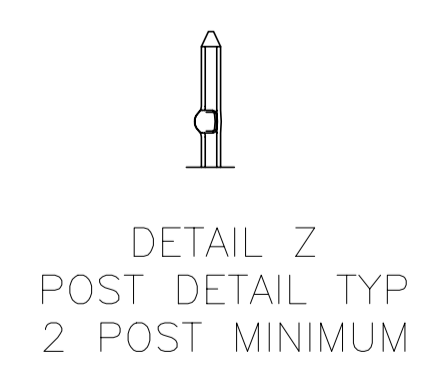
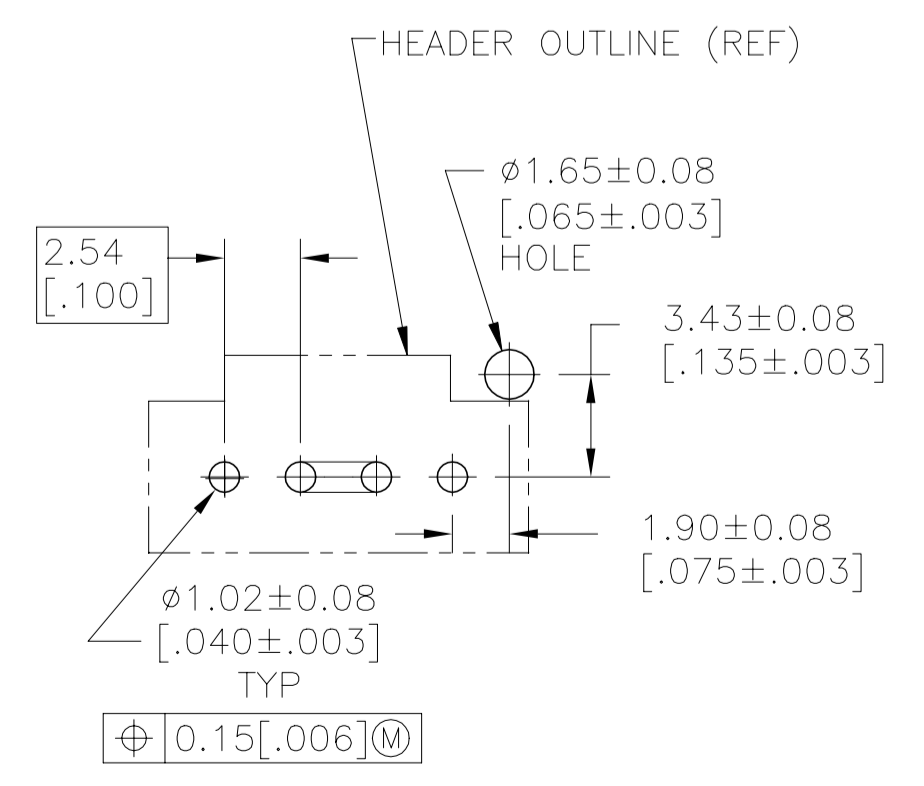
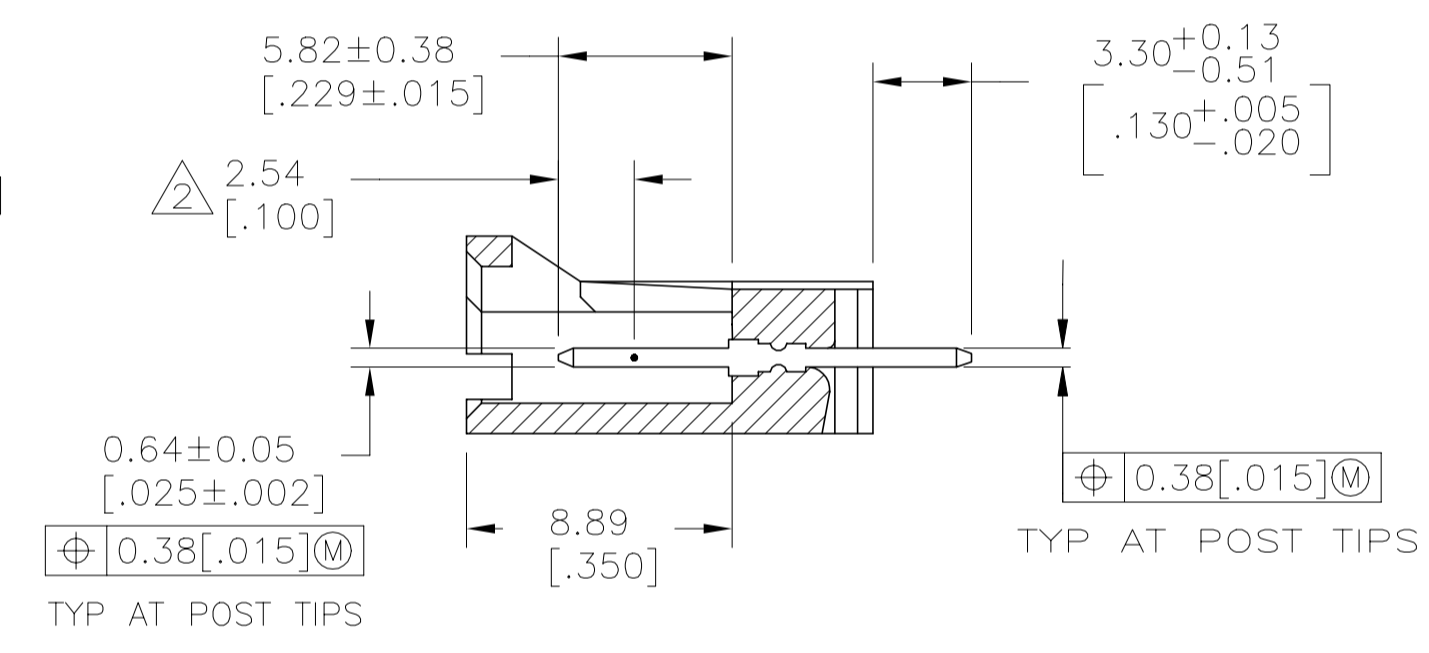
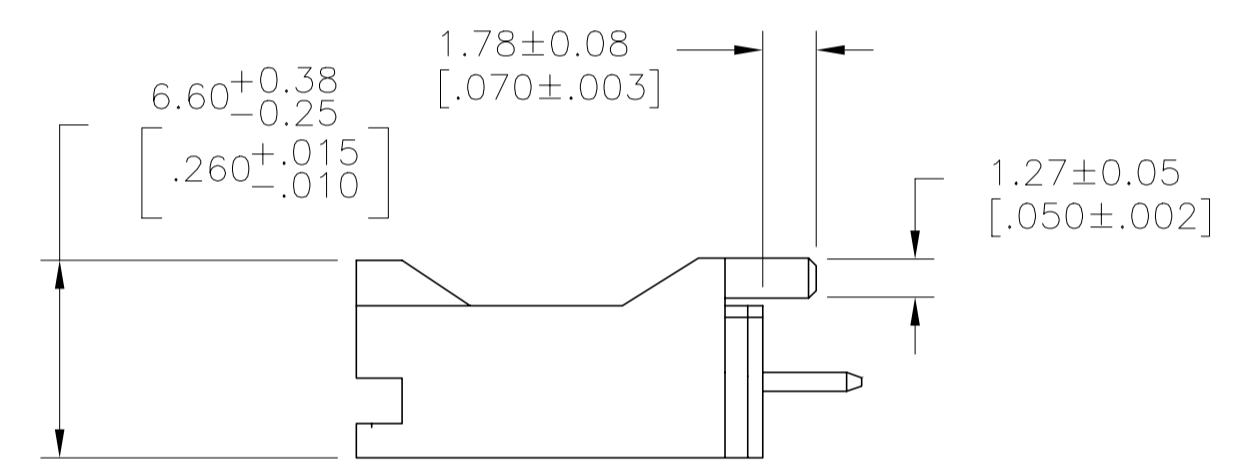
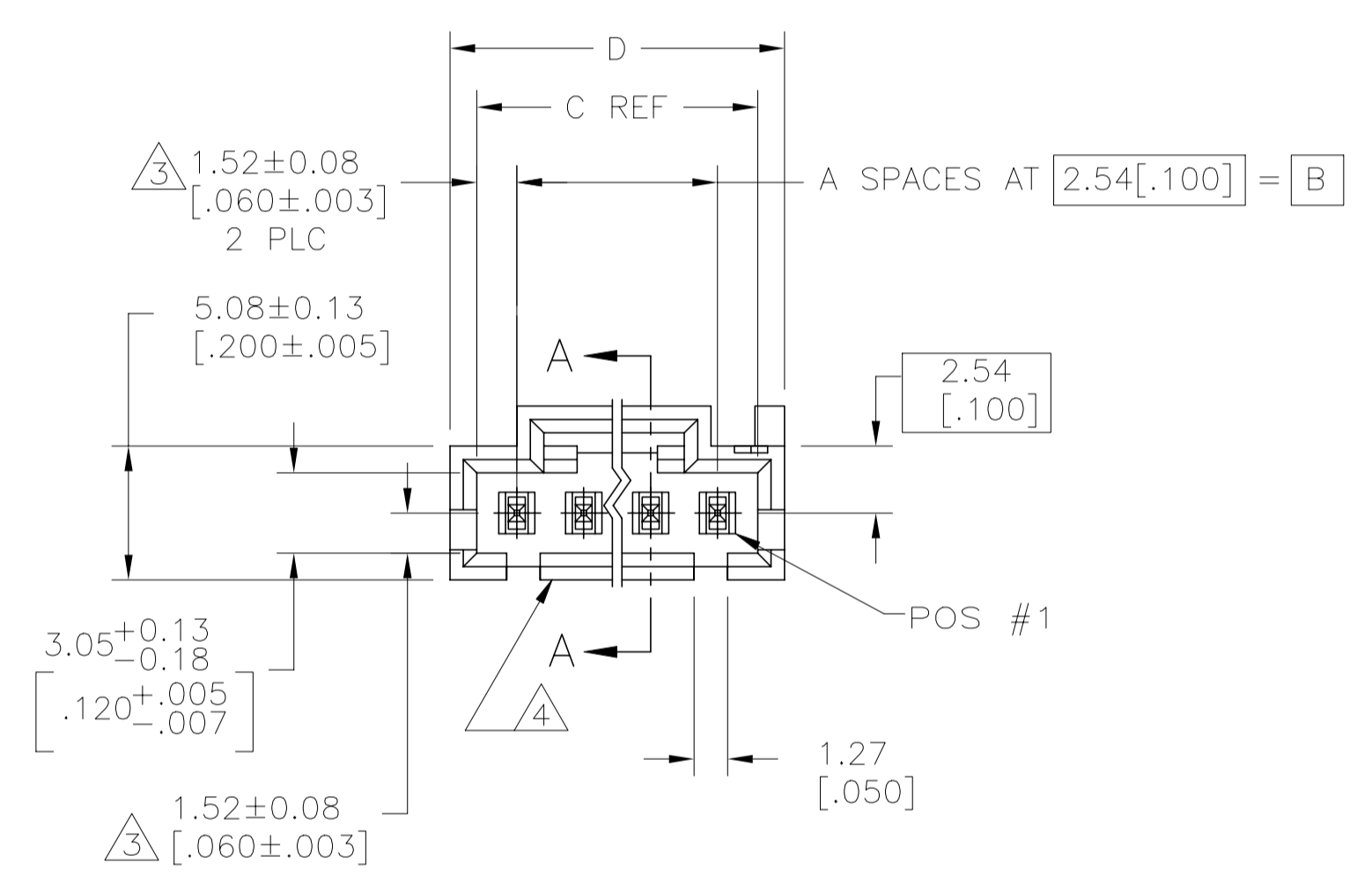


REVISIONS				
P	LTR	DESCRIPTION	DATE	APP'D
AF		REVISED PER ECO-20-001327	04JUN2020	SB JO



- 1 0.00254-0.00508 [.000100-.000200] BRIGHT TIN-LEAD OVER 0.00127 [.000050] NICKEL.
- 2 POINT OF MEASUREMENT FOR PLATING THICKNESS.
- 3 THESE DIMENSIONS APPLY WHERE THE POST INTERSECTS THE HOUSING.
- 4 ON ASSEMBLIES WITH FOUR OR MORE POSITIONS, TWO POLARIZATION SLOTS.
- 5 SELECT POST TAILS FORMED TO PROVIDE CONNECTOR HOLD DOWN UNTIL SOLDERED. CONFIGURATION ACCEPTS 0.69-2.03 [.027-.080] THICK PRINTED CIRCUIT BOARD. (SEE DETAIL Z).
- 6 MATERIAL: HOUSING- LCP, COLOR-BLACK. POSTS- BRASS.
- 7 0.00254-0.00508 [.000100-.000200] BRIGHT TIN OVER 0.00127 [.000050] NICKEL.
- 8 HIGH TEMPERATURE CONFIGURATION.
- 9 0.00254-0.00508 [.000100-.000200] MATTE TIN OVER 0.00127 [.000050] NICKEL.
- 10 OBSOLETE PARTS: OBSOLETE CIS STREAMLINING PER D.RENAUD/D.SINISI.
- 11 0.25 [.010] RECESS PERMISSIBLE IN THIS AREA FOR MOLD SHUT OFF



REMARKS	PLATING	D	C	B	A	NO OF POSN	ASSEMBLY PART NUMBER
10 OBSOLETE		27.81 [1.095]	25.91 [1.020]	22.86 [0.900]	9	10	5-104450-9
		25.27 [0.995]	23.37 [0.920]	20.32 [0.800]	8	9	5-104450-8
		22.73 [0.895]	20.83 [0.820]	17.78 [0.700]	7	8	5-104450-7
10 OBSOLETE		20.19 [0.795]	18.29 [0.720]	15.24 [0.600]	6	7	5-104450-6
		17.65 [0.695]	15.75 [0.620]	12.7 [0.500]	5	6	5-104450-5
		15.11 [0.595]	13.21 [0.520]	10.16 [0.400]	4	5	5-104450-4
		12.57 [0.495]	10.67 [0.420]	7.62 [0.300]	3	4	5-104450-3
		10.03 [0.395]	8.13 [0.320]	5.08 [0.200]	2	3	5-104450-2
10 OBSOLETE		7.49 [0.295]	5.59 [0.220]	2.54 [0.100]	1	2	5-104450-1
		20.19 [0.795]	18.29 [0.720]	15.24 [0.600]	6	7	1-104450-3
		15.11 [0.595]	13.21 [0.520]	10.16 [0.400]	4	5	1-104450-2
		10.03 [0.395]	8.13 [0.320]	5.08 [0.200]	2	3	1-104450-1
		12.57 [0.495]	10.67 [0.420]	7.62 [0.300]	3	4	1-104450-0
		27.81 [1.095]	25.91 [1.020]	22.86 [0.900]	9	10	104450-9
10 OBSOLETE		25.27 [0.995]	23.37 [0.920]	20.32 [0.800]	8	9	104450-8
		22.73 [0.895]	20.83 [0.820]	17.78 [0.700]	7	8	104450-7
		20.19 [0.795]	18.29 [0.720]	15.24 [0.600]	6	7	104450-6
		17.65 [0.695]	15.75 [0.620]	12.7 [0.500]	5	6	104450-5
		15.11 [0.595]	13.21 [0.520]	10.16 [0.400]	4	5	104450-4
		12.57 [0.495]	10.67 [0.420]	7.62 [0.300]	3	4	104450-3
		10.03 [0.395]	8.13 [0.320]	5.08 [0.200]	2	3	104450-2
		7.49 [0.295]	5.59 [0.220]	2.54 [0.100]	1	2	104450-1

THIS DRAWING IS A CONTROLLED DOCUMENT. OWN: R. BROWN, DWG: K. WRIGHT, APVD: K. WRIGHT, PRODUCT SPEC: 108-25034, APPLICATION SPEC: --, MATERIAL: SEE NOTE 6, FINISH: SEE TABLE, WEIGHT: --, CUSTOMER DRAWING: --, SCALE: 4:1, SHEET: 1 OF 1, REV: AF.

**STE** TE Connectivity

HEADER ASSY, AMPMODU MTE, VERTICAL, WITH LATCH, SINGLE ROW, .100 CL, .025 SQ POSTS, PCB ORIENTATION, AND RETENTIVE POSTS

SIZE: A1, CAGE CODE: 100779, DRAWING NO: 104450

## X-ON Electronics

Largest Supplier of Electrical and Electronic Components

*Click to view similar products for [Headers & Wire Housings](#) category:*

*Click to view products by [TE Connectivity](#) manufacturer:*

Other Similar products are found below :

[892-18-020-10-001101](#) [58102-G61-06LF](#) [582553-1](#) [0009485154](#) [009176003701906](#) [0050291907](#) [LY20-4P-DT1-P1E-BR](#) [02.125.8002.8](#)  
[609-3404](#) [61062-3](#) [61082-181009](#) [622-3653LF](#) [63453-116](#) [636-1030](#) [636-1427](#) [636-3427](#) [636-4007](#) [641938-9](#) [641991-4](#) [644827-2](#) [65817-010LF](#) [65817-015LF](#) [65863-015LF](#) [66207-023LF](#) [67095-007LF](#) [67601157](#) [68645-018](#) [68648-049](#) [70.362.1628.0](#) [70-4210](#) [70-4226B](#) [70-4853B](#) [707-5020](#) [707-5028](#) [71.350.2428.0](#) [71918-208LF](#) [71961-016LF](#) [733-134](#) [733-162](#) [754199-000](#) [760-3052](#) [787-8014-00](#) [79531-3000](#)  
[FCN-360C032-B](#) [FCN-367T-T012/H](#) [FCN-723D010/2](#) [80.063.4001.1](#) [800-90-001-10-001000](#) [800-90-010-10-002000](#) [801-43-002-10-013000](#)