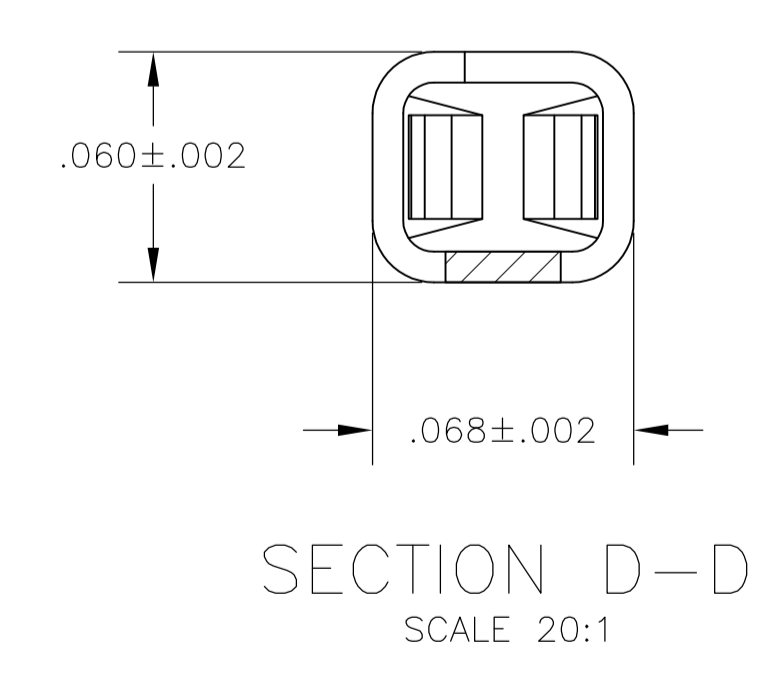
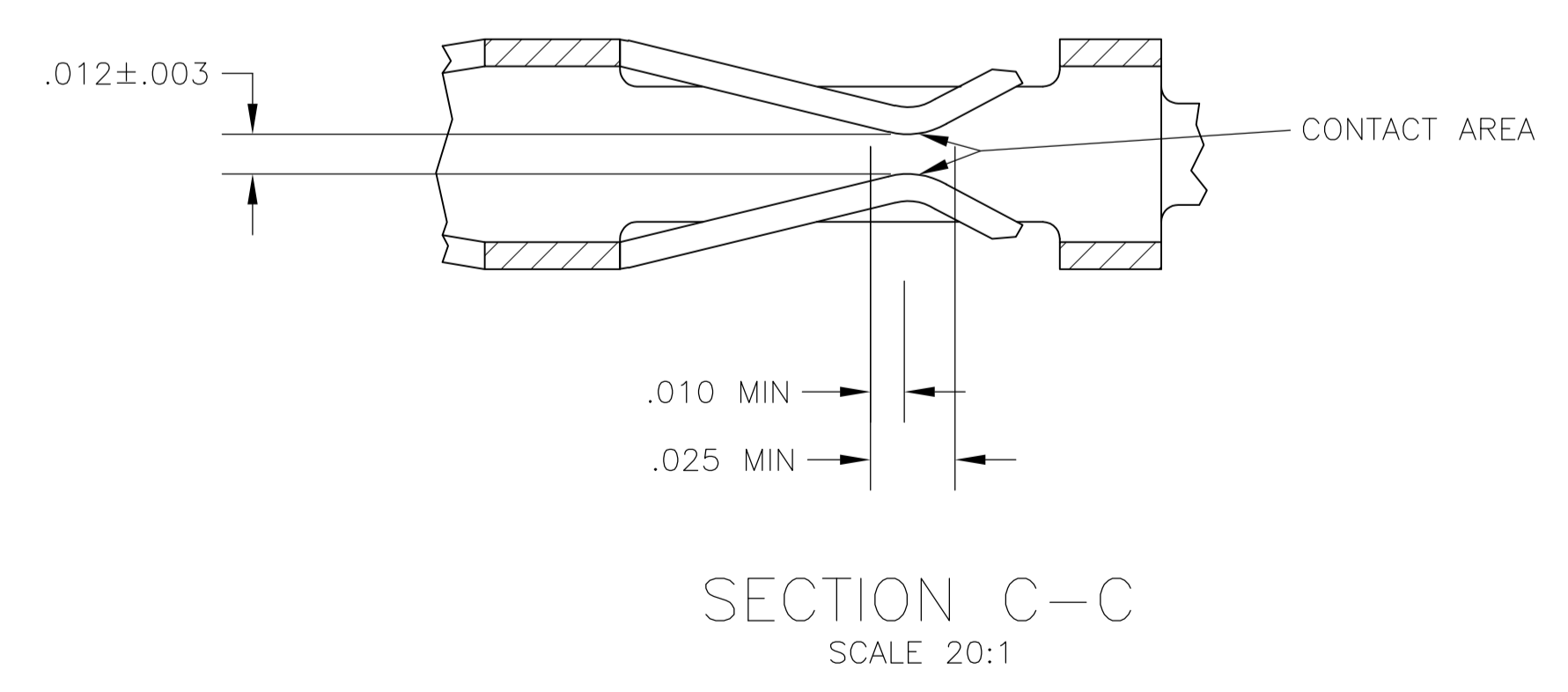
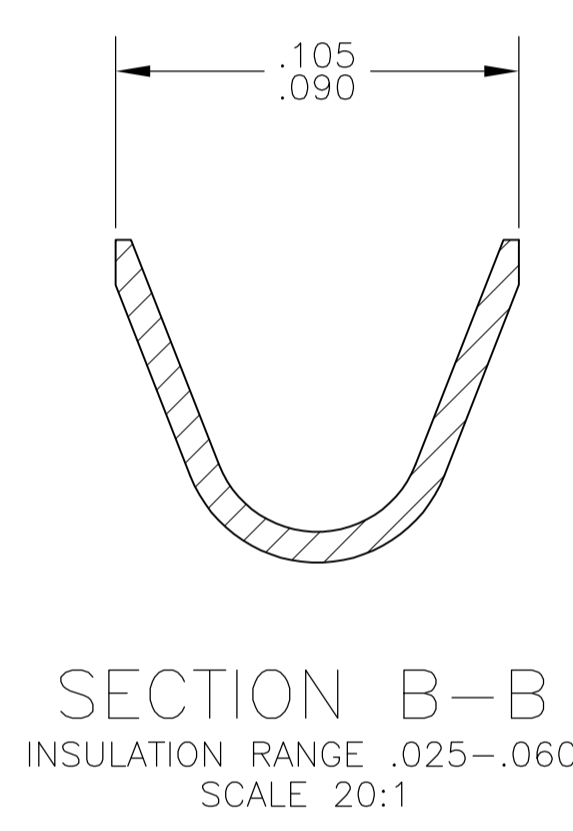
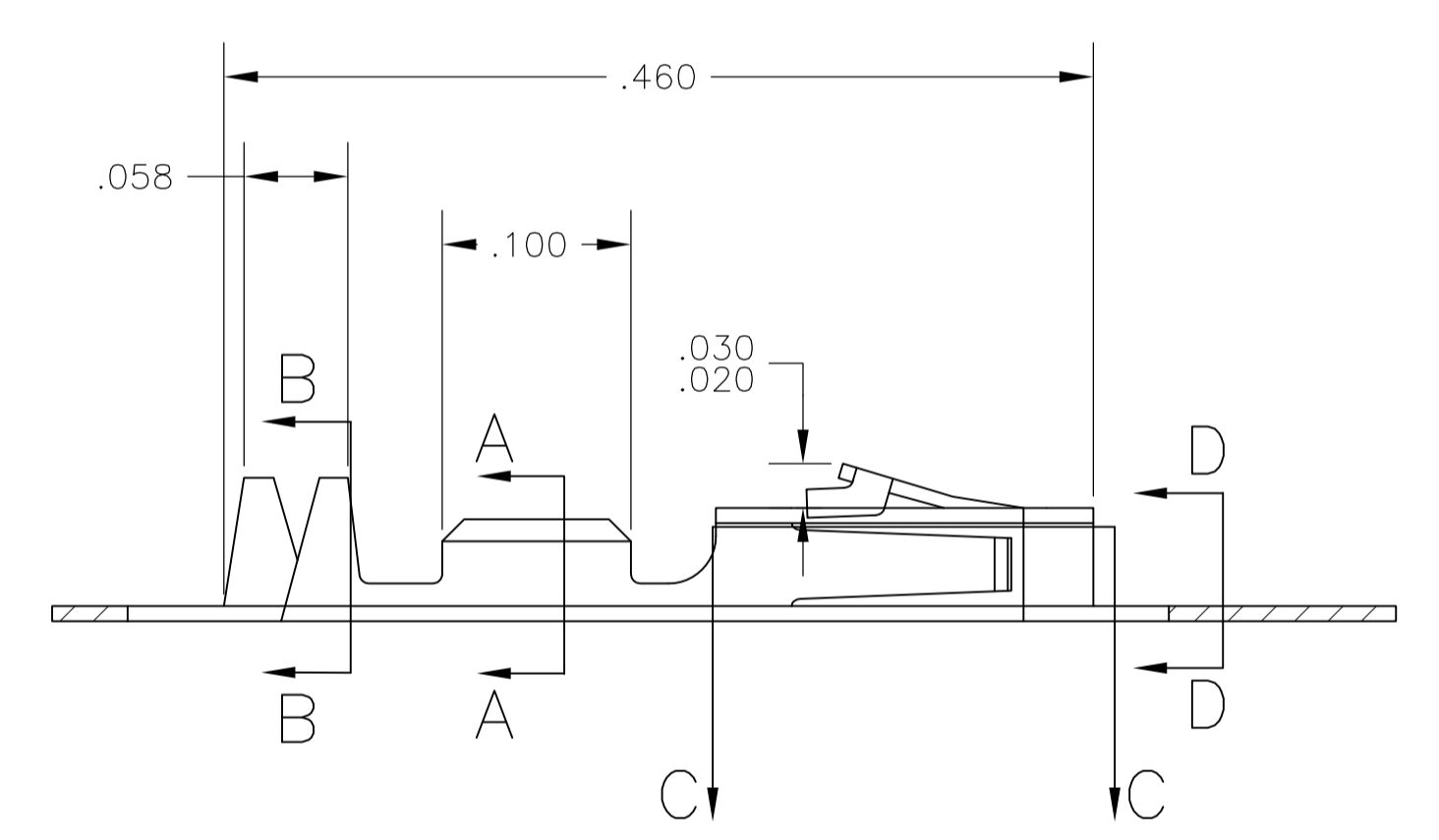


- ① .000100 MIN BRIGHT TIN-LEAD OVER .000050 MIN NICKEL ON ENTIRE CONTACT
- ② .000050 MIN NICKEL ON ENTIRE CONTACT; .000015 MIN GOLD ON CONTACT AREA; .000050 MIN BRIGHT TIN-LEAD ON AREA M.
- ③ .000050 MIN NICKEL ON ENTIRE CONTACT; .000030 MIN GOLD ON CONTACT AREA; .000050 MIN BRIGHT TIN-LEAD ON AREA M.
- ④ LOOSE PIECE CUT-OFF DIMENSION.
- ⑤ .000015 MIN GOLD ON CONTACT AREA, .000050 MIN TIN ON AREA M, ALL OVER .000050 MIN NICKEL ON ENTIRE CONTACT.
- ⑥ .000030 MIN GOLD ON CONTACT AREA, .000050 MIN TIN ON AREA M, ALL OVER .000050 MIN NICKEL ON ENTIRE CONTACT.
- ⑧ .000100 MIN TIN OVER .000050 MIN NICKEL ON ENTIRE CONTACT



REMARKS	FINISH	PART NO
LOOSE PIECE STRIP	⑧ REF	5-104481-6
LOOSE PIECE STRIP	⑥ REF	5-104481-2
LOOSE PIECE STRIP	⑥ REF	1-104481-3
LOOSE PIECE STRIP	⑤ REF	1-104481-2
LOOSE PIECE STRIP	⑥ REF	1-104481-1
LOOSE PIECE STRIP	⑤ REF	1-104481-0
OBsolete LOOSE PIECE		104481-9
OBsolete LOOSE PIECE	③ REF	104481-8
OBsolete LOOSE PIECE	② REF	104481-7
OBsolete LOOSE PIECE	① REF	104481-6
OBsolete STRIP		104481-5
OBsolete STRIP	③	104481-4
OBsolete STRIP	②	104481-3
OBsolete STRIP	①	104481-2

THIS DRAWING IS A CONTROLLED DOCUMENT.

DIMENSIONS: INCHES	TOLERANCES UNLESS OTHERWISE SPECIFIED:	DIN C. OBERMAN 5-10-89	APVD K. HELM 5-12-89	NAME	CONTACT, CRIMP SNAP-IN AMPMODU SHORT POINT, 28-32 AWG
0 PLC ± -	1 PLC ± -	2 PLC ± -	3 PLC ± .005	4 PLC ± -	ANGLES ± -
MATERIAL PHOSPHOR BRONZE	FINISH SEE TABLE	WEIGHT	SIZE 114-25038	SCALE 10:1	SHEET 1 OF 1
CUSTOMER DRAWING		DRAWING NO 00779		PART NO 104481	

STE TE Connectivity

X-ON Electronics

Largest Supplier of Electrical and Electronic Components

Click to view similar products for [Headers & Wire Housings](#) category:

Click to view products by [TE Connectivity](#) manufacturer:

Other Similar products are found below :

[892-18-020-10-001101](#) [58102-G61-06LF](#) [582553-1](#) [0009485154](#) [009176003701906](#) [0050291907](#) [LY20-4P-DT1-P1E-BR](#) [02.125.8002.8](#)
[609-3404](#) [61062-3](#) [61082-181009](#) [622-3653LF](#) [63453-116](#) [636-1030](#) [636-1427](#) [636-3427](#) [636-4007](#) [641938-9](#) [641991-4](#) [644827-2](#) [65817-010LF](#) [65817-015LF](#) [65863-015LF](#) [66207-023LF](#) [67095-007LF](#) [67601157](#) [68645-018](#) [68648-049](#) [70.362.1628.0](#) [70-4210](#) [70-4226B](#) [70-4853B](#) [707-5020](#) [707-5028](#) [71.350.2428.0](#) [71918-208LF](#) [71961-016LF](#) [733-134](#) [733-162](#) [754199-000](#) [760-3052](#) [787-8014-00](#) [79531-3000](#)
[FCN-360C032-B](#) [FCN-367T-T012/H](#) [FCN-723D010/2](#) [80.063.4001.1](#) [800-90-001-10-001000](#) [800-90-010-10-002000](#) [801-43-002-10-013000](#)