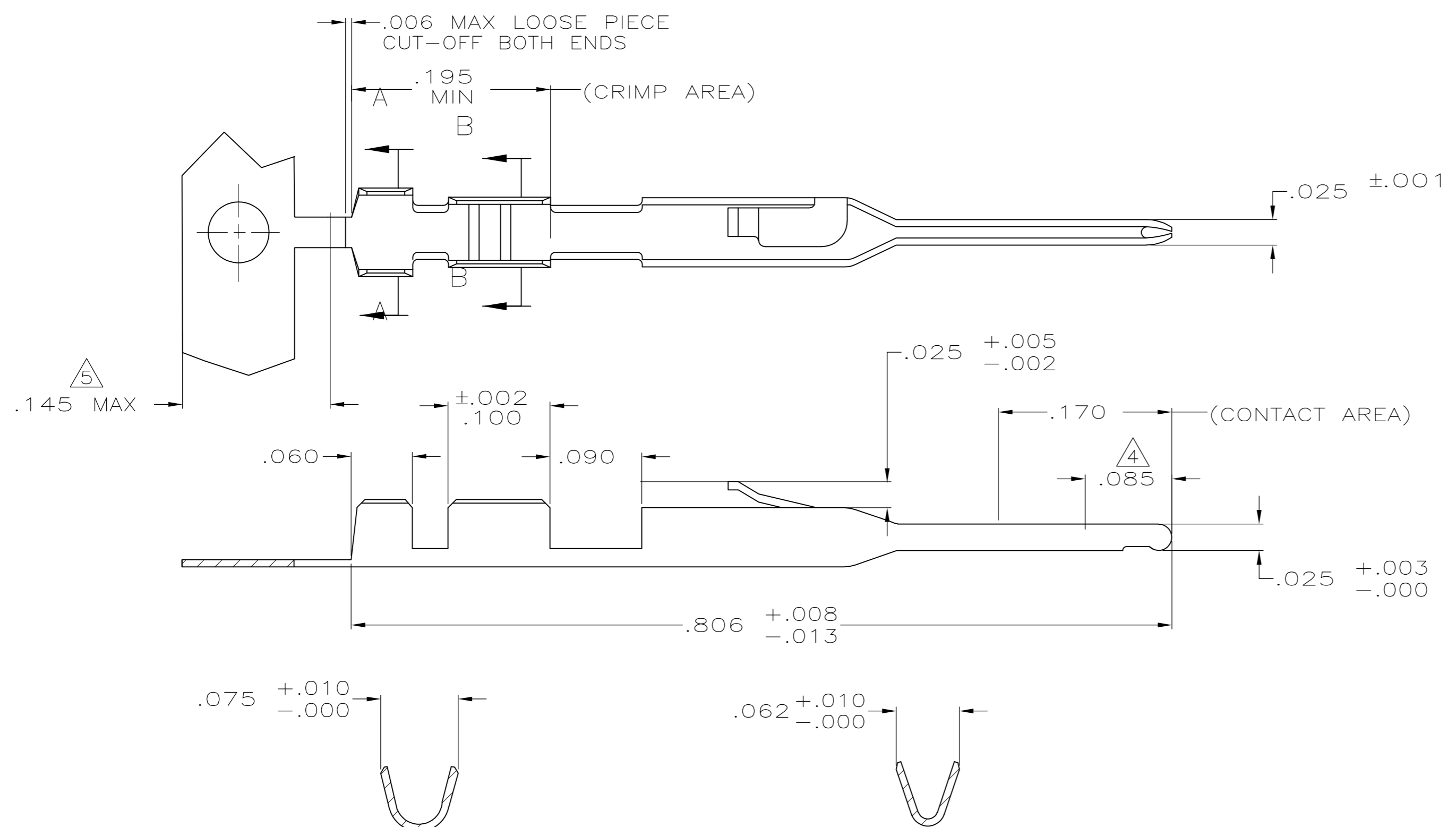


THIS DRAWING IS UNPUBLISHED. RELEASED FOR PUBLICATION
 © COPYRIGHT - By - ALL RIGHTS RESERVED.

LOC	DIST	REVISIONS			
P	LTR	DESCRIPTION	DATE	DWN	APVD
AD	00	F1	REVISED PER ECO-11-004587	11MAR11	RK HMR



SECTION A-A
 ROTATED 90° CW
 INSULATION RANGE .054 MAX

SECTION B-B
 ROTATED 90° CW
 WIRE RANGE #22-#26

- 1 .000100-.000200 BRIGHT TIN-LEAD OVER .000030 NICKEL ENTIRE CONTACT
- 2 .000015 GOLD IN CONTACT AREA, .000050-.000100 BRIGHT TIN-LEAD IN CRIMP AREA, ALL OVER .000030 NICKEL ENTIRE CONTACT
- 3 .000030 GOLD IN CONTACT AREA, .000050-.000100 BRIGHT TIN-LEAD IN CRIMP AREA, ALL OVER .000030 NICKEL ENTIRE CONTACT
- 4 POINT OF MEASUREMENT FOR PLATING THICKNESS
- 5 GOLD PLATING NOT REQUIRED IN THIS AREA
- 6 .000100-.000200 BRIGHT TIN OVER .000030 NICKEL ENTIRE CONTACT.
- 7 .000015 GOLD IN CONTACT AREA, .000050-.000100 BRIGHT TIN IN CRIMP AREA, ALL OVER .000030 NICKEL ENTIRE CONTACT.
- 8 .000030 GOLD IN CONTACT AREA, .000050-.000100 BRIGHT TIN IN CRIMP AREA, ALL OVER .000030 NICKEL ENTIRE CONTACT.
- 9 .000100-.000200 MATTE TIN OVER .000030 NICKEL ENTIRE CONTACT.
- 10 .000015 GOLD IN CONTACT AREA, .000050-.000100 MATTE TIN IN CRIMP AREA, ALL OVER .000030 NICKEL ENTIRE CONTACT.
- 11 .000030 GOLD IN CONTACT AREA, .000050-.000100 MATTE TIN IN CRIMP AREA, ALL OVER .000030 NICKEL ENTIRE CONTACT.

11	5-104505-7	5-104505-6
10	5-104505-5	5-104505-4
9	5-104505-3	5-104505-2
8	1-104505-3	1-104505-2
7	1-104505-1	1-104505-0
6	104505-9	104505-8
3	104505-7	104505-6
2	104505-5	104505-4
1	104505-3	104505-2
FINISH	LOOSE PIECE PART NUMBER	PART NUMBER

THIS DRAWING IS A CONTROLLED DOCUMENT.

DWN	D KEITZER	12-14-88
CHK	S. SHUEY	12-15-88
APVD	C.SINISI	12-16-88
PRODUCT SPEC	-	
APPLICATION SPEC	-	
WEIGHT	-	-
MATERIAL	PHOS BRONZE	FINISH SEE TABLE

TE Connectivity

PIN CONTACT, AMPMODU, MTE

SIZE	A2	CAGE CODE	00779	DRAWING NO	C=104505	RESTRICTED TO	-
SCALE	10:1	SHEET	1 of 1	REV	F1		

CUSTOMER DRAWING

X-ON Electronics

Largest Supplier of Electrical and Electronic Components

Click to view similar products for [Headers & Wire Housings](#) category:

Click to view products by [TE Connectivity](#) manufacturer:

Other Similar products are found below :

[892-18-020-10-001101](#) [58102-G61-06LF](#) [582553-1](#) [0009485154](#) [009176003701906](#) [0050291907](#) [LY20-4P-DT1-P1E-BR](#) [02.125.8002.8](#)
[609-3404](#) [61062-3](#) [61082-181009](#) [622-3653LF](#) [63453-116](#) [636-1030](#) [636-1427](#) [636-3427](#) [636-4007](#) [641938-9](#) [641991-4](#) [644827-2](#) [65817-010LF](#) [65817-015LF](#) [65863-015LF](#) [66207-023LF](#) [67095-007LF](#) [67601157](#) [68645-018](#) [68648-049](#) [70.362.1628.0](#) [70-4210](#) [70-4226B](#) [70-4853B](#) [707-5020](#) [707-5028](#) [71.350.2428.0](#) [71918-208LF](#) [71961-016LF](#) [733-134](#) [733-162](#) [754199-000](#) [760-3052](#) [787-8014-00](#) [79531-3000](#)
[FCN-360C032-B](#) [FCN-367T-T012/H](#) [FCN-723D010/2](#) [80.063.4001.1](#) [800-90-001-10-001000](#) [800-90-010-10-002000](#) [801-43-002-10-013000](#)