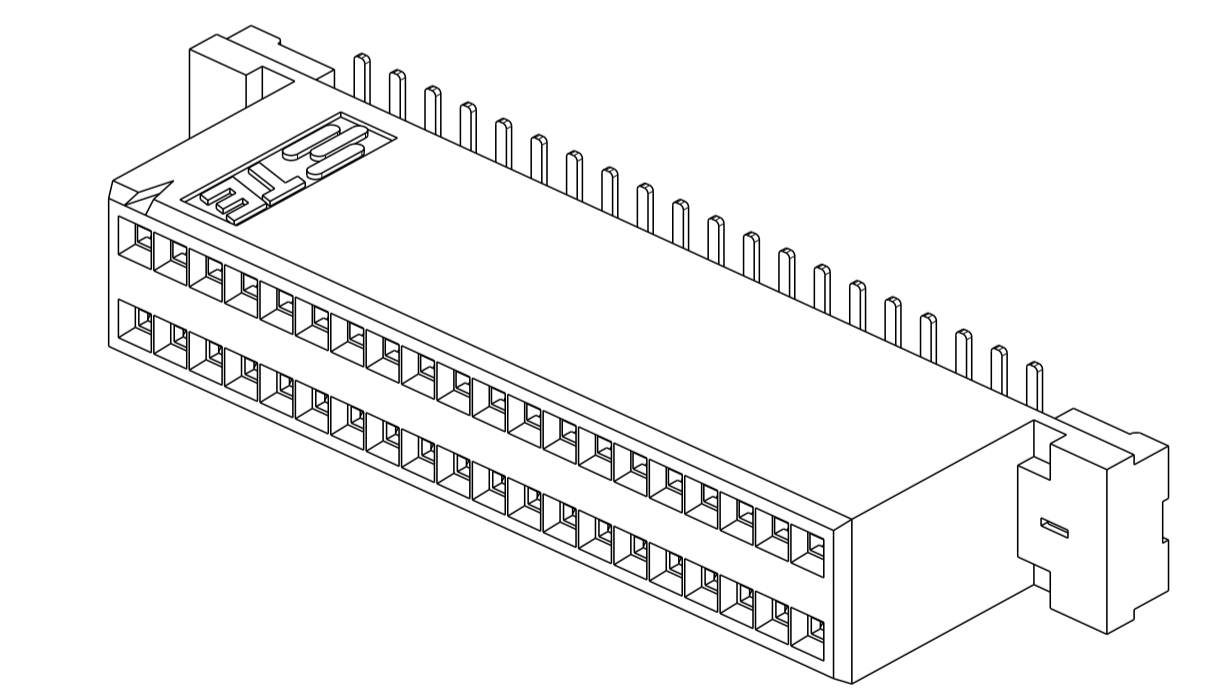
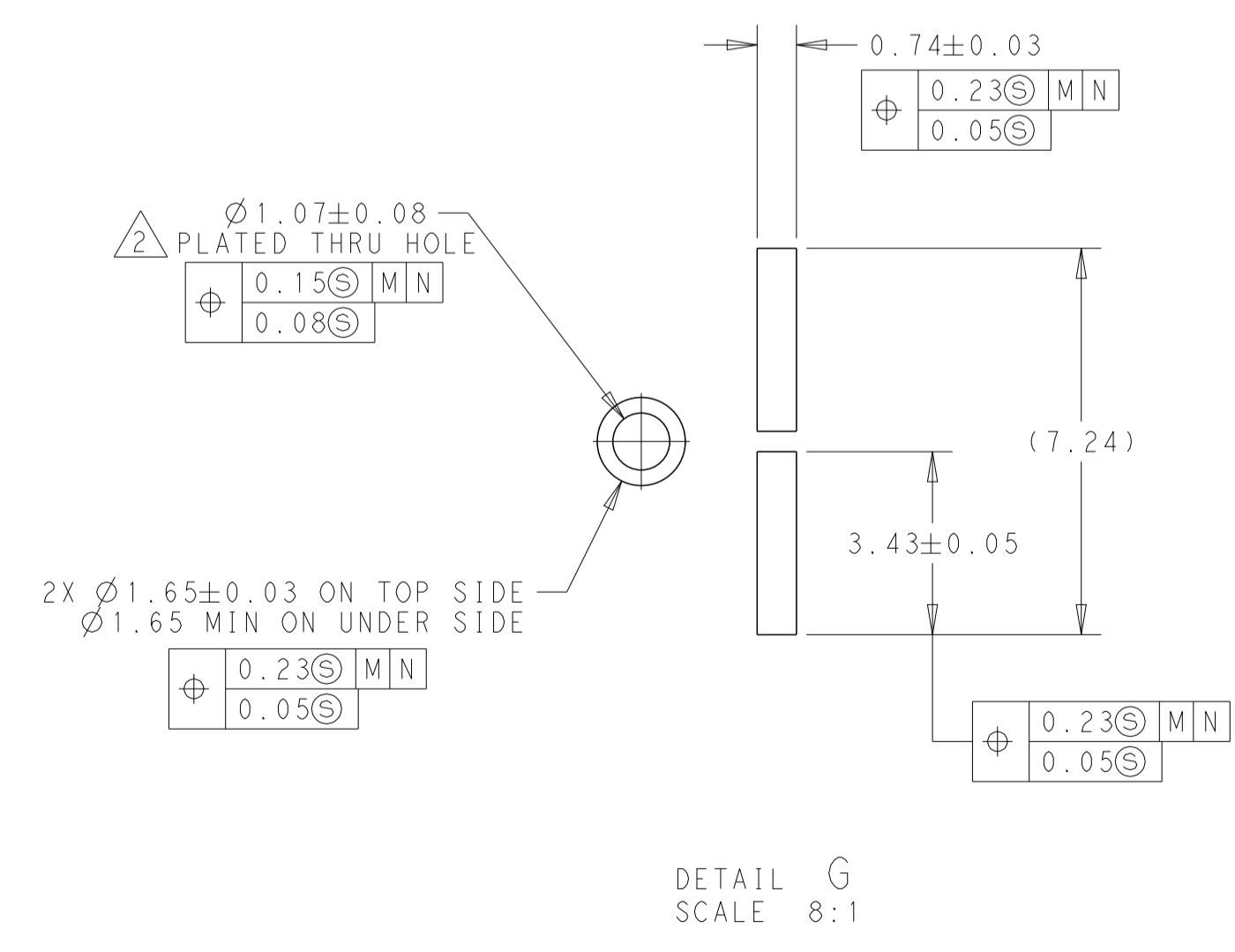
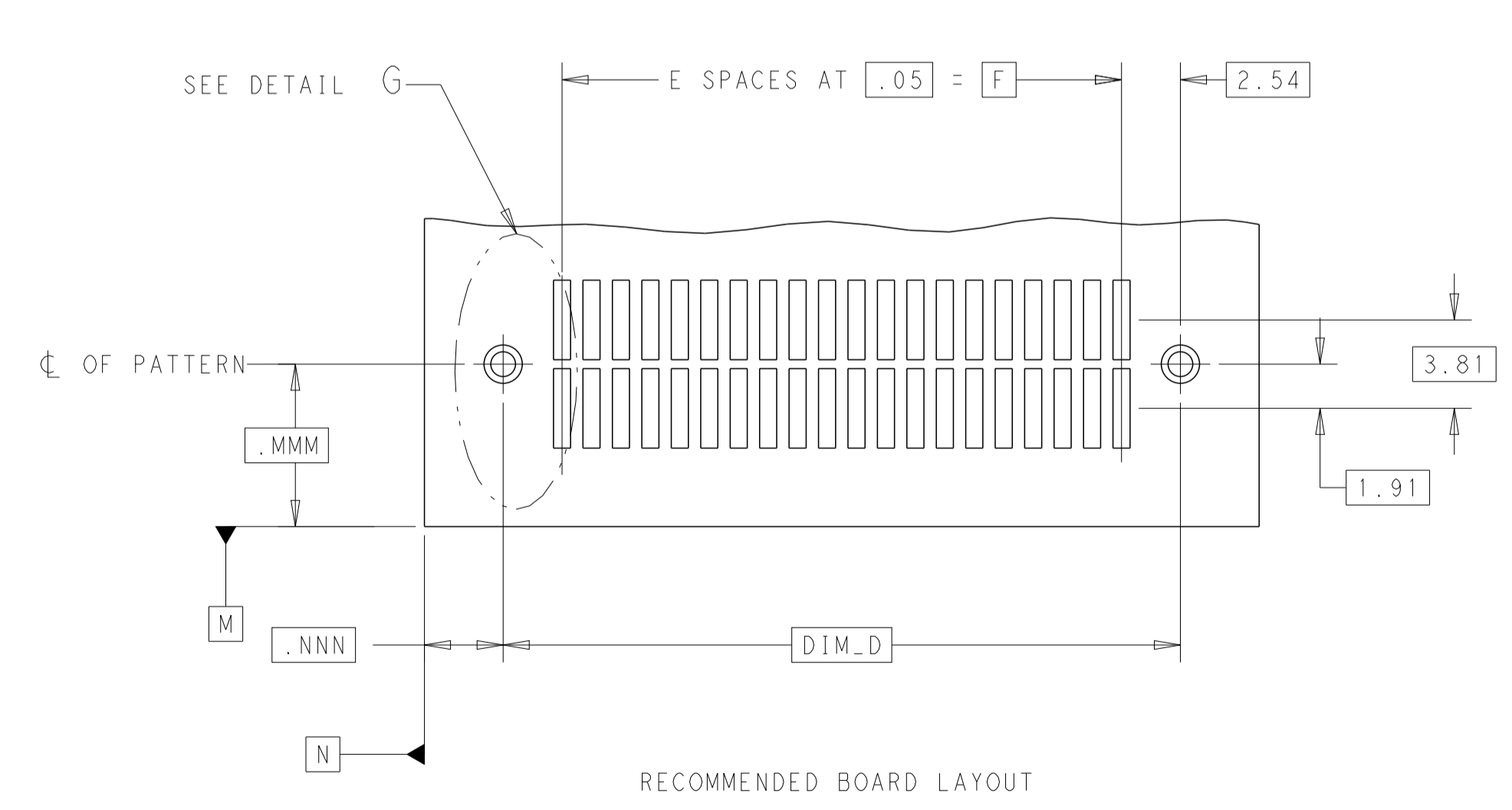
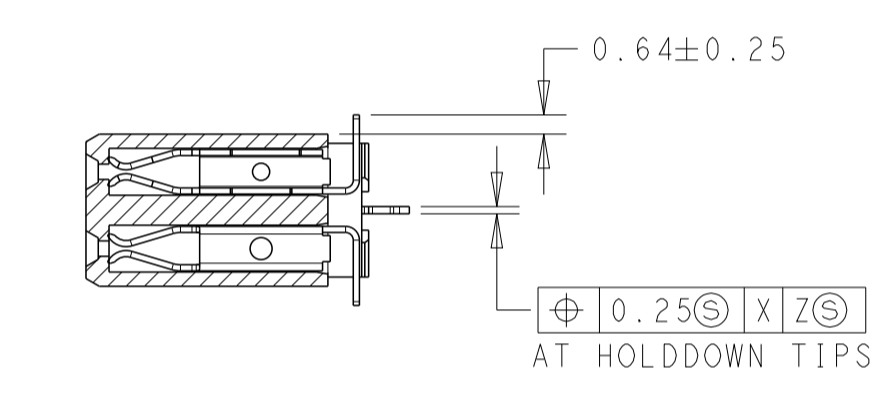
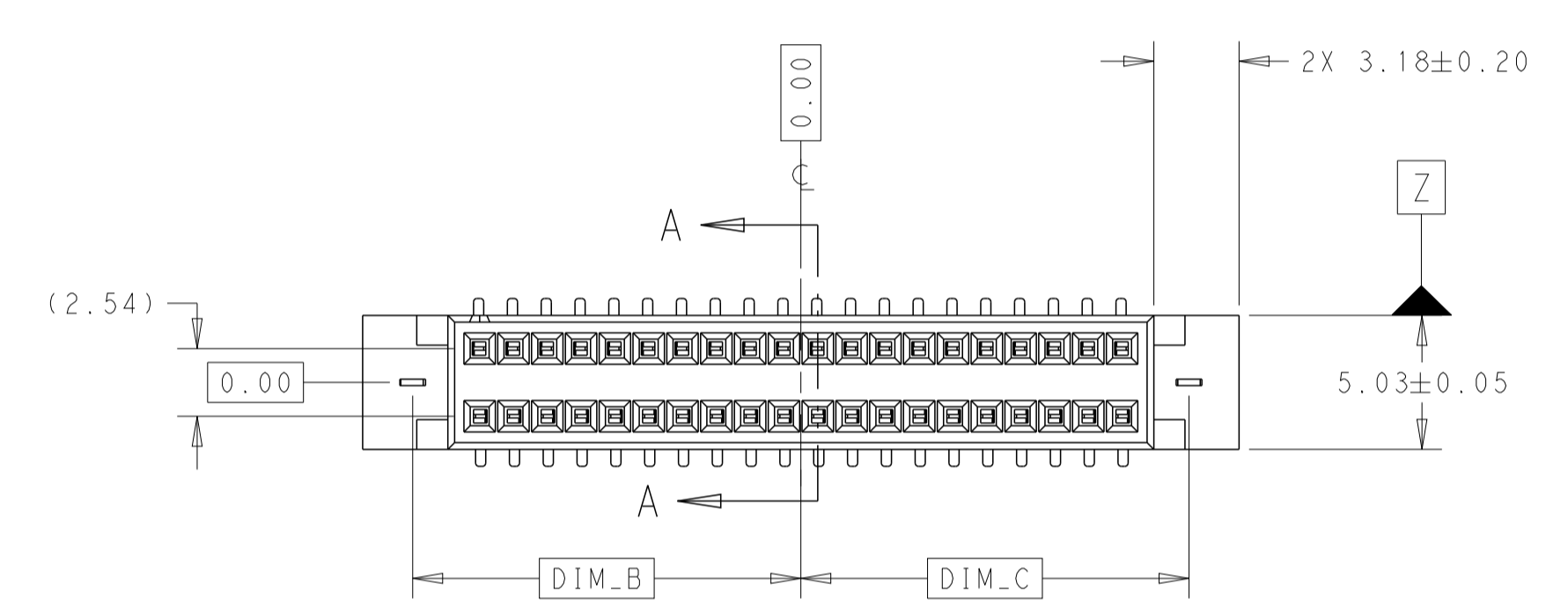
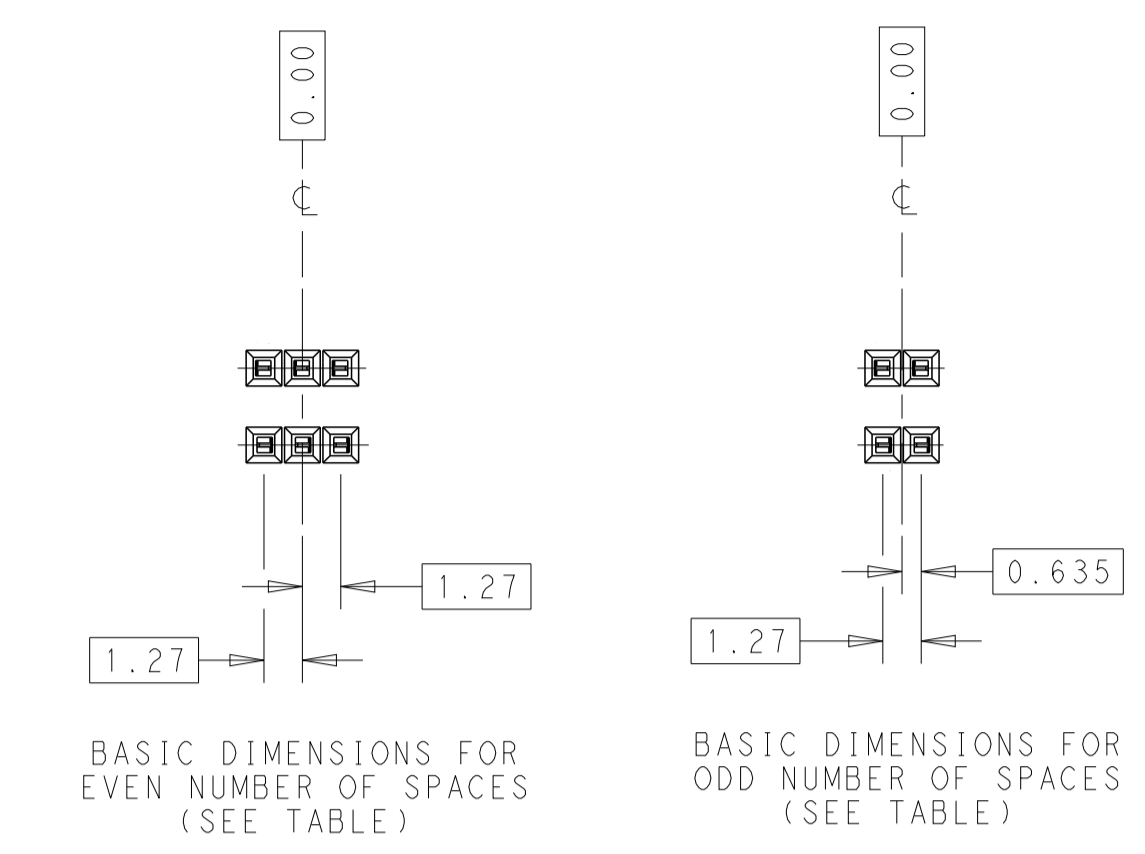
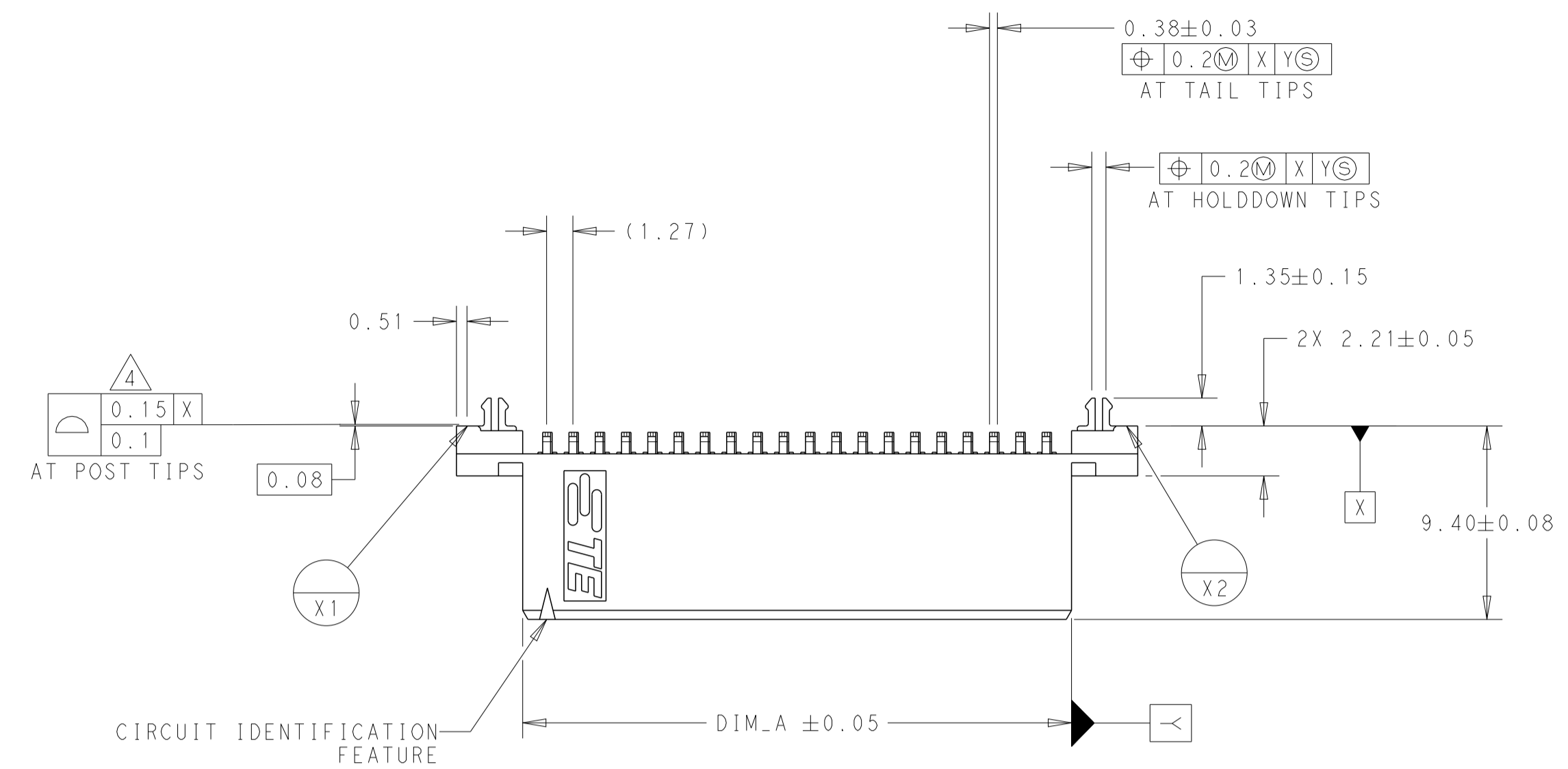


| REVISIONS |     |                                   |           |       |
|-----------|-----|-----------------------------------|-----------|-------|
| P         | LTN | DESCRIPTION                       | DATE      | APVD  |
| V         |     | REDRAWN/REVISED PER ECO-17-001757 | 09NOV2017 | GR JO |
|           |     |                                   |           |       |
|           |     |                                   |           |       |



SCALE 5:1

|  |   |                          |  |
|--|---|--------------------------|--|
| THIS DRAWING IS A CONTROLLED DOCUMENT. |   | DWN: G. RAMESH 08NOV2017 | TE Connectivity  |
| DIMENSIONS:                            |   | CHK: J. OLSON 08NOV2017  |  |
| mm                                     | TOLERANCES UNLESS OTHERWISE SPECIFIED:                                    | APVD: J. OLSON 08NOV2017 | NAME: RECEPTACLE ASSEMBLY, VERTICAL, DOUBLE ROW SURFACE MOUNT, AMPMODU System 50 |
|  | 0 PLC ±<br>1 PLC ±0.3<br>2 PLC ±0.13<br>3 PLC ±<br>4 PLC ±<br>ANGLES ±0.5 | PRODUCT SPEC             | RESTRICTED TO  |
| MATERIAL                               | FINISH  | APPLICATION SPEC         | SIZE: A1   |
|  |   | WEIGHT                   | CAGE CODE: C=104550  |
| CUSTOMER DRAWING                       |   | SCALE: 4:1               | SHEET 1 OF 2 REV V   |

| REVISIONS |     |             |      |      |
|-----------|-----|-------------|------|------|
| P         | LTN | DESCRIPTION | DATE | APPD |
| -         |     | SEE SHEET 1 | -    | -    |
|           |     |             |      |      |
|           |     |             |      |      |

- 1 0.76µm GOLD IN LOCALIZED PLATE AREA, 3.81µm TIN-LEAD ON SOLDER TAILS ALL OVER 1.27µm NICKEL.
- 2 USE 1.18 ±0.025 DRILLED HOLE (#56 DRILL) FINISH TO BE TIN-LEAD OVER 0.025 MINIMUM COPPER.
- 3 NOTE DELETED.
- 4 REFER TO NO. OF POSN. IN CHART FOR NUMBER OF SURFACES WHICH ARE COPLANAR.
- 5 NOTE DELETED.
- 6 0.76µm GOLD IN LOCALIZED PLATE AREA, 3.81µm TIN ON SOLDER TAILS ALL OVER 1.27µm NICKEL.
- 7 NOTE DELETED.
- 8 NOTE DELETED.
- 9 FINISH: 0.03µm MIN GOLD ON GOLD PLATED AREA, 3.81µm MATTE IN TIN-LEAD ON TIN PLATED AREA UNDER PLATING: 1.27µm NICKEL ON ENTIRE CONTACT.
- 10 FINISH: 0.03µm MIN GOLD ON GOLD PLATED AREA, 3.81µm MATTE IN TIN ON TIN PLATED AREA UNDER PLATING: 1.27µm NICKEL ON ENTIRE CONTACT.
- 11 MATERIAL: HOUSING:LCP  
 COLOR:BLACK  
 CONTACT:PHOS BRONZE

|        |       |       |          |       |       |       |       |            |
|--------|-------|-------|----------|-------|-------|-------|-------|------------|
| 10     | 62.23 | 49    | 67.31    | 33.66 | 33.66 | 64.62 | 100   | 7-104550-9 |
|        | 49.53 | 39    | 54.61    | 27.30 | 27.30 | 51.92 | 80    | 7-104550-8 |
|        | 36.83 | 29    | 41.91    | 20.96 | 20.96 | 39.22 | 60    | 7-104550-7 |
|        | 30.48 | 24    | 35.56    | 17.78 | 17.78 | 32.87 | 50    | 7-104550-6 |
|        | 24.13 | 19    | 29.21    | 14.60 | 14.60 | 26.52 | 40    | 7-104550-5 |
|        | 17.78 | 14    | 22.86    | 11.43 | 11.43 | 20.17 | 30    | 7-104550-4 |
|        | 13.97 | 44    | 19.05    | 9.53  | 9.53  | 16.36 | 24    | 7-104550-3 |
|        | 11.43 | 9     | 16.51    | 8.26  | 8.26  | 13.82 | 20    | 7-104550-2 |
|        | 5.08  | 4     | 10.16    | 5.08  | 5.08  | 7.47  | 10    | 7-104550-1 |
|        | 6     | 62.23 | 49       | 67.31 | 33.66 | 33.66 | 64.62 | 100        |
| 49.53  |       | 39    | 54.61    | 27.30 | 27.30 | 51.92 | 80    | 5-104550-8 |
| 36.83  |       | 29    | 41.91    | 20.96 | 20.96 | 39.22 | 60    | 5-104550-7 |
| 30.48  |       | 24    | 35.56    | 17.78 | 17.78 | 32.87 | 50    | 5-104550-6 |
| 24.13  |       | 19    | 29.21    | 14.60 | 14.60 | 26.52 | 40    | 5-104550-5 |
| 17.78  |       | 14    | 22.86    | 11.43 | 11.43 | 20.17 | 30    | 5-104550-4 |
| 13.97  |       | 44    | 19.05    | 9.53  | 9.53  | 16.36 | 24    | 5-104550-3 |
| 11.43  |       | 9     | 16.51    | 8.26  | 8.26  | 13.82 | 20    | 5-104550-2 |
| 5.08   |       | 4     | 10.16    | 5.08  | 5.08  | 7.47  | 10    | 5-104550-1 |
| FINISH |       | DIM_F | E SPACES | DIM_D | DIM_C | DIM_B | DIM_A | NO OF POSN |

|        |       |       |          |       |       |       |       |            |
|--------|-------|-------|----------|-------|-------|-------|-------|------------|
| 9      | 62.23 | 49    | 67.31    | 33.66 | 33.66 | 64.62 | 100   | 2-104550-9 |
|        | 49.53 | 39    | 54.61    | 27.30 | 27.30 | 51.92 | 80    | 2-104550-8 |
|        | 36.83 | 29    | 41.91    | 20.96 | 20.96 | 39.22 | 60    | 2-104550-7 |
|        | 30.48 | 24    | 35.56    | 17.78 | 17.78 | 32.87 | 50    | 2-104550-6 |
|        | 24.13 | 19    | 29.21    | 14.60 | 14.60 | 26.52 | 40    | 2-104550-5 |
|        | 17.78 | 14    | 22.86    | 11.43 | 11.43 | 20.17 | 30    | 2-104550-4 |
|        | 13.97 | 44    | 19.05    | 9.53  | 9.53  | 16.36 | 24    | 2-104550-3 |
|        | 11.43 | 9     | 16.51    | 8.26  | 8.26  | 13.82 | 20    | 2-104550-2 |
|        | 5.08  | 4     | 10.16    | 5.08  | 5.08  | 7.47  | 10    | 2-104550-1 |
|        | 1     | 62.23 | 49       | 67.31 | 33.66 | 33.66 | 64.62 | 100        |
| 49.53  |       | 39    | 54.61    | 27.30 | 27.30 | 51.92 | 80    | 104550-8   |
| 36.83  |       | 29    | 41.91    | 20.96 | 20.96 | 39.22 | 60    | 104550-7   |
| 30.48  |       | 24    | 35.56    | 17.78 | 17.78 | 32.87 | 50    | 104550-6   |
| 24.13  |       | 19    | 29.21    | 14.60 | 14.60 | 26.52 | 40    | 104550-5   |
| 17.78  |       | 14    | 22.86    | 11.43 | 11.43 | 20.17 | 30    | 104550-4   |
| 13.97  |       | 44    | 19.05    | 9.53  | 9.53  | 16.36 | 24    | 104550-3   |
| 11.43  |       | 9     | 16.51    | 8.26  | 8.26  | 13.82 | 20    | 104550-2   |
| 5.08   |       | 4     | 10.16    | 5.08  | 5.08  | 7.47  | 10    | 104550-1   |
| FINISH |       | DIM_F | E SPACES | DIM_D | DIM_C | DIM_B | DIM_A | NO OF POSN |

THIS DRAWING IS A CONTROLLED DOCUMENT.

|             |  |   |                 |
|-------------|--|---|-----------------|
| DIMENSIONS: | TOLERANCES UNLESS OTHERWISE SPECIFIED: | DWN G. RAMESH 08NOV2017   | TE Connectivity |
| mm          | 0 PLC ±                                | CHK J. OLSON 08NOV2017  |                 |
|             | 1 PLC ±0.3                             | APPD J. OLSON 08NOV2017   |                 |
| MATERIAL    | 2 PLC ±0.13                            | NAME RECEPTACLE ASSEMBLY, VERTICAL, DOUBLE ROW SURFACE MOUNT, AMPMODU System 50 | RESTRICTED TO   |
|             | 3 PLC ±                                | SIZE A1   |                 |
|             | 4 PLC ±                                | CAGE CODE   |                 |
|             | ANGLES ±0.5                            | DRAWING NO  |                 |
|             | FINISH                                 | SCALE 5:1   |                 |
|             |  | SHEET 2 OF 2  |                 |
|             |  | REV V   |                 |

CUSTOMER DRAWING

## X-ON Electronics

Largest Supplier of Electrical and Electronic Components

*Click to view similar products for [Board to Board & Mezzanine Connectors](#) category:*

*Click to view products by [TE Connectivity](#) manufacturer:*

Other Similar products are found below :

[589158040000018](#) [MDF7C-18P-2.54DSA\(55\)](#) [FCN-230C068-11](#) [FCN-268F012-G/BD](#) [FCN-268F036-G/BD](#) [FCN-268M012-G/0D](#) [FCN-268M024-G/1D](#) [FCN-723J004/1](#) [MIS-048-01-F-D-DP-K](#) [832-10-034-10-001000](#) [FX4C-80S-1.27DSA](#) [FCN-214Q030-G/0](#) [FCN-234P048-G/0](#) [FCN-235D050-G/C](#) [210-93-314-41-105000](#) [2-22603-0](#) [MDF7-40DP-2.54DSA\(55\)](#) [AXG720047](#) [5031084030](#) [MIT-114-03-F-D-K](#) [55323-1519](#) [DF33-2P-3.3DSA\(24\)](#) [YFT-20-05-H-03-SB-K](#) [503308-3040](#) [026-6203-PDB](#) [027-6203-PDB](#) [069159702701000](#) [10123981-102LF](#) [101A10019X](#) [55650-0588-C](#) [68682-310LF](#) [68684-306](#) [75140-7012](#) [87471-650](#) [YTW-30-07-H-Q-410-140](#) [194261-1](#) [FCN-268F024-G0D](#) [10124054-515LF](#) [68685-603](#) [8-1616154-3](#) [MIS-019-01-F-D](#) [FCN-268M024-G/3D](#) [20021832-06016C1LF](#) [KX15-20KLDL-E1000E](#) [MDF7-16DP-2.54DSA\(55\)](#) [AXE810124](#) [FCN-214J100-G/0](#) [FCN-230C068-E/S](#) [AXE812124](#) [AXE816124](#)