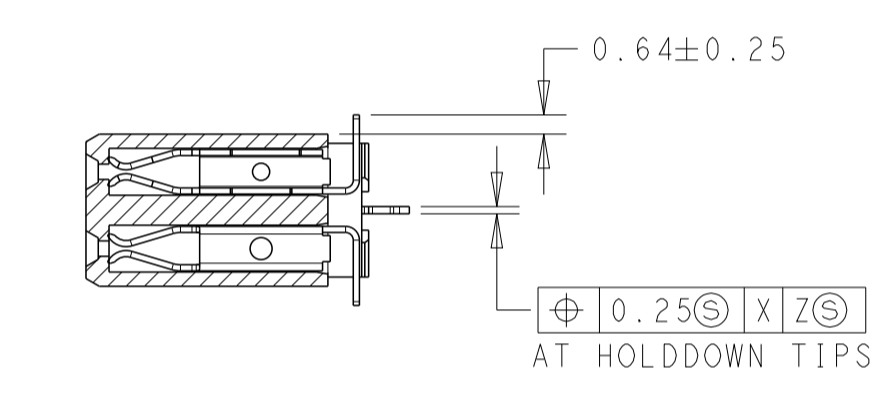
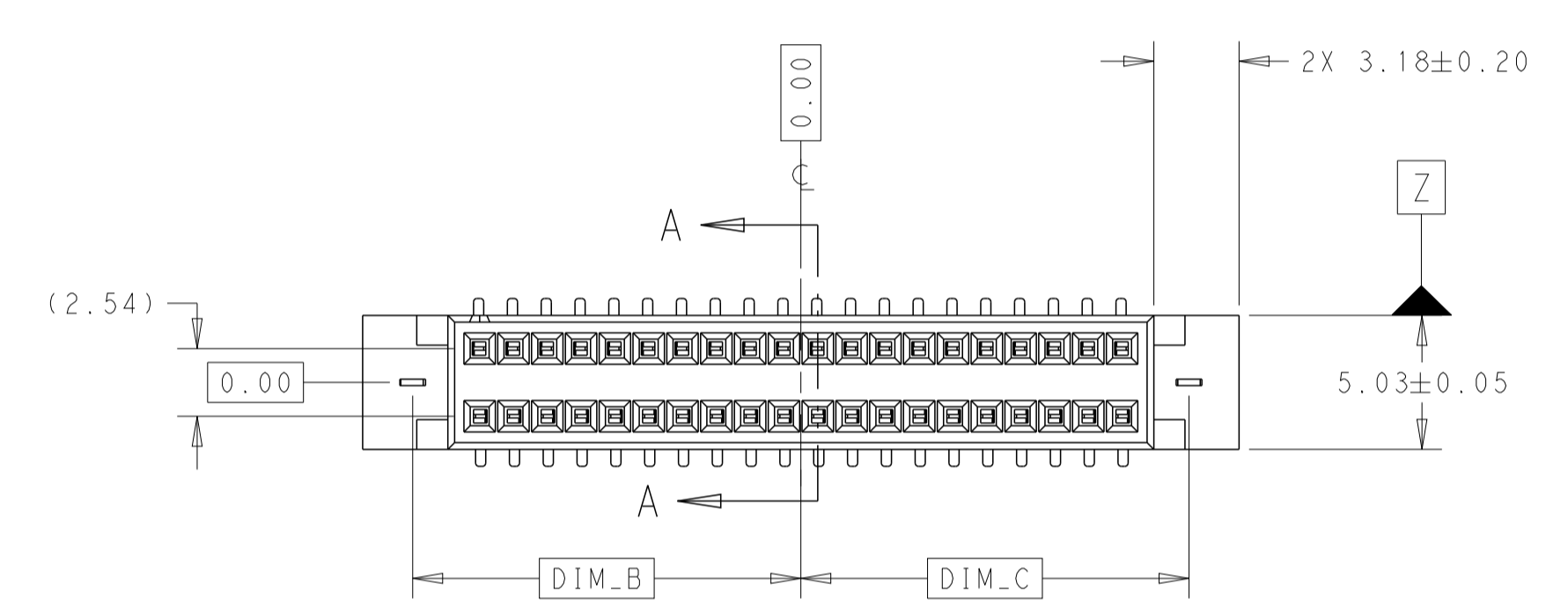
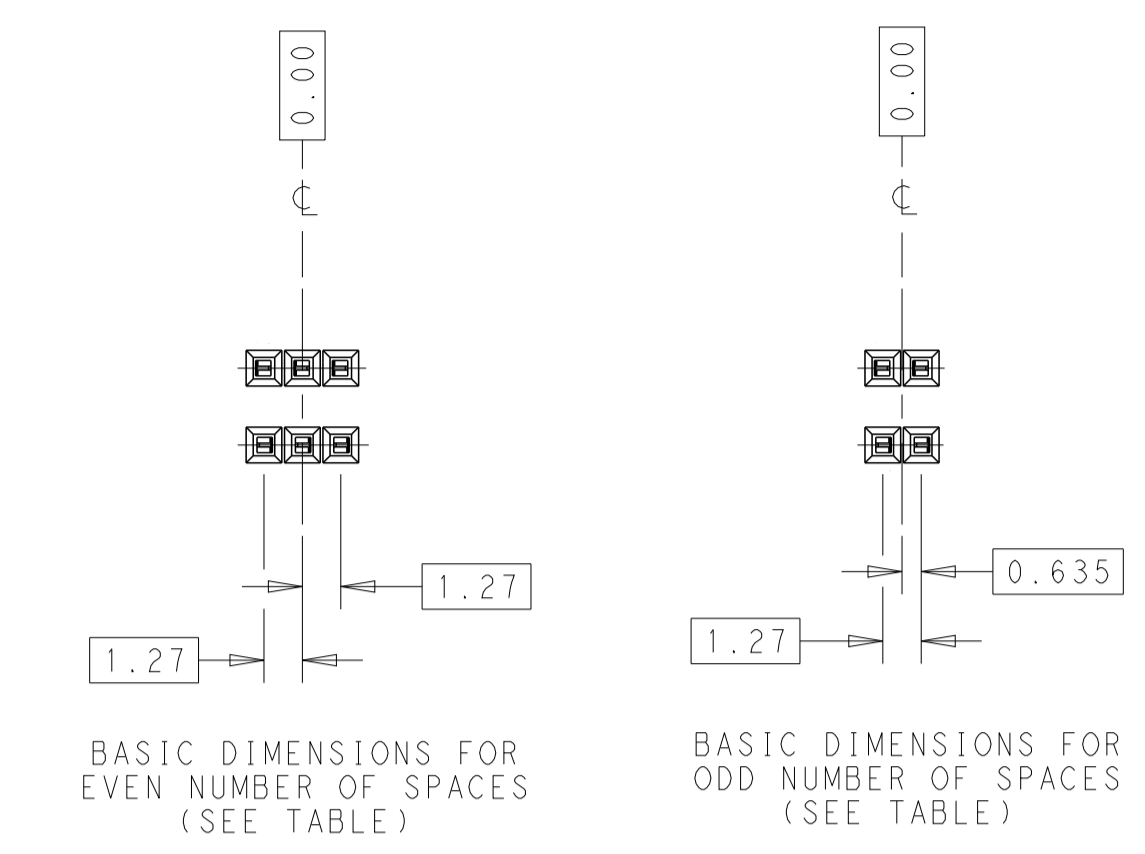
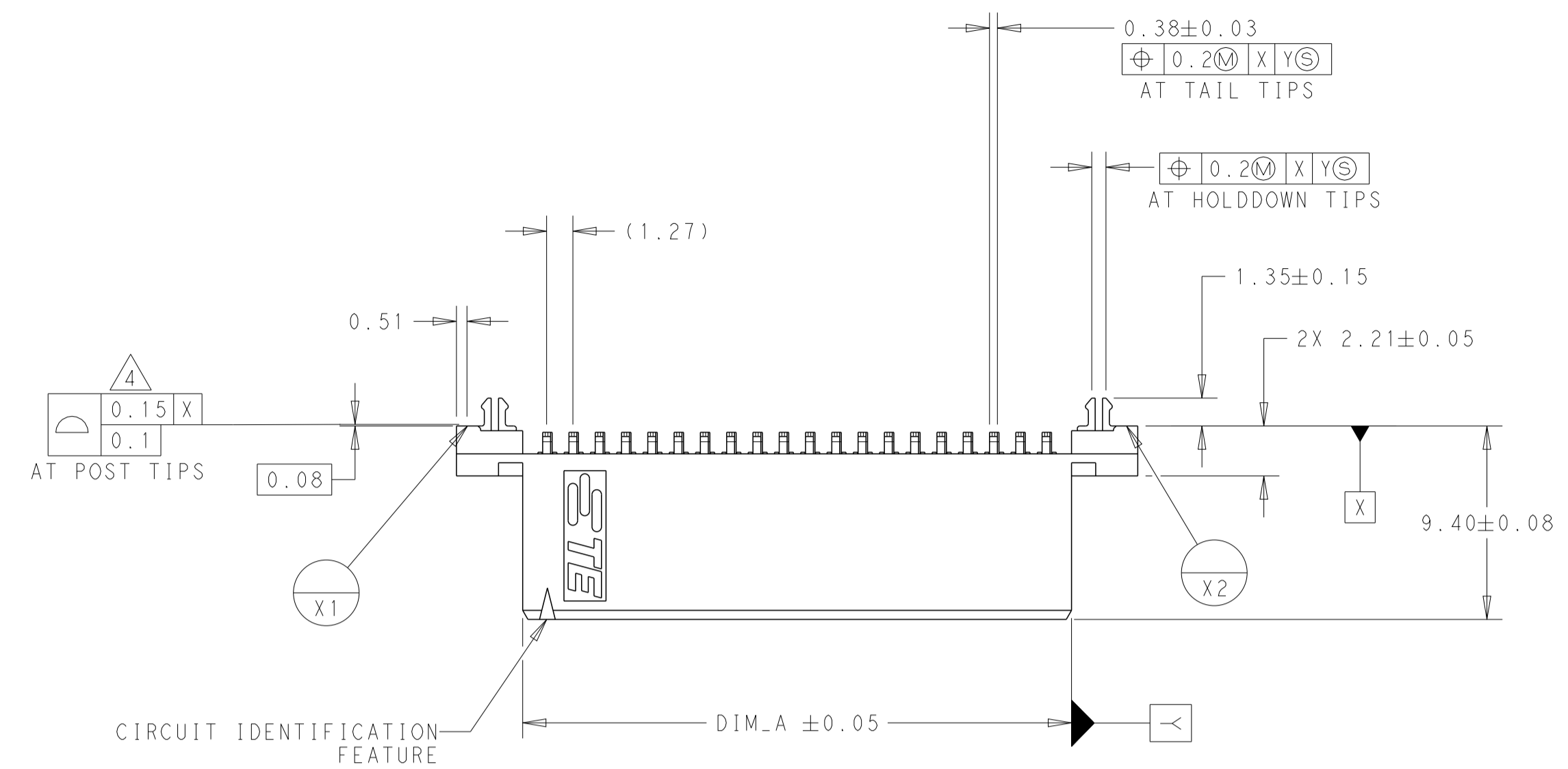
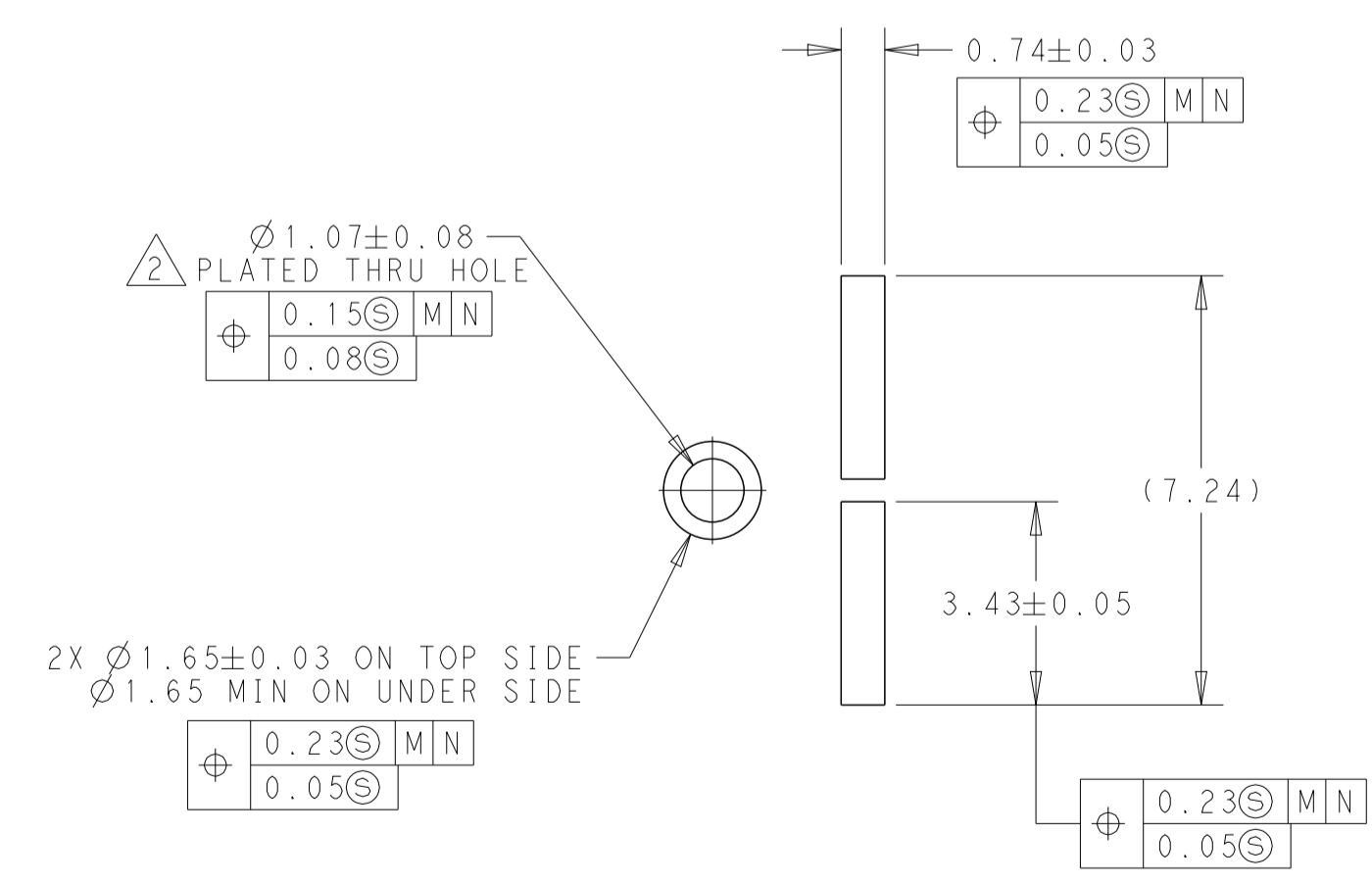
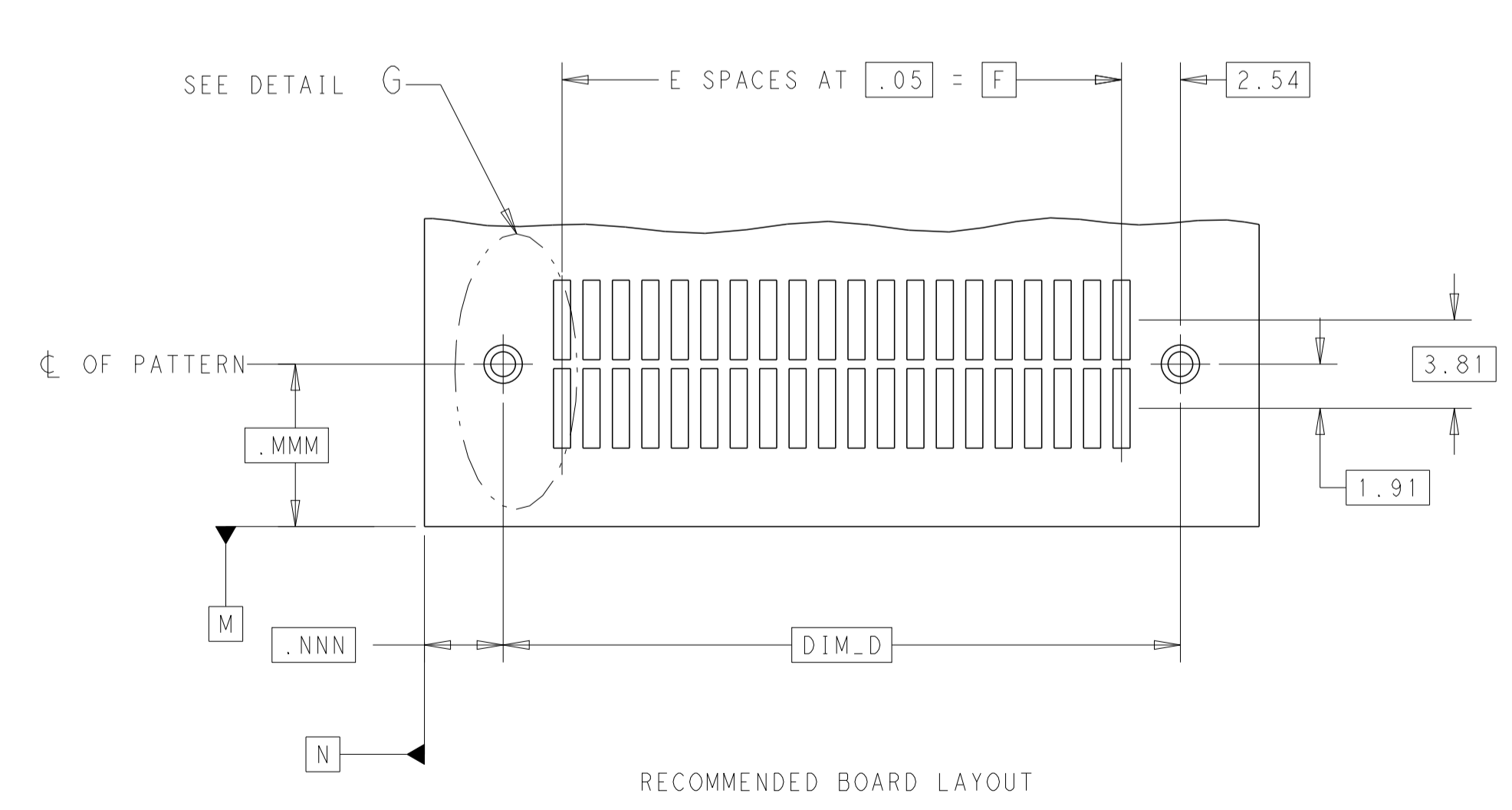


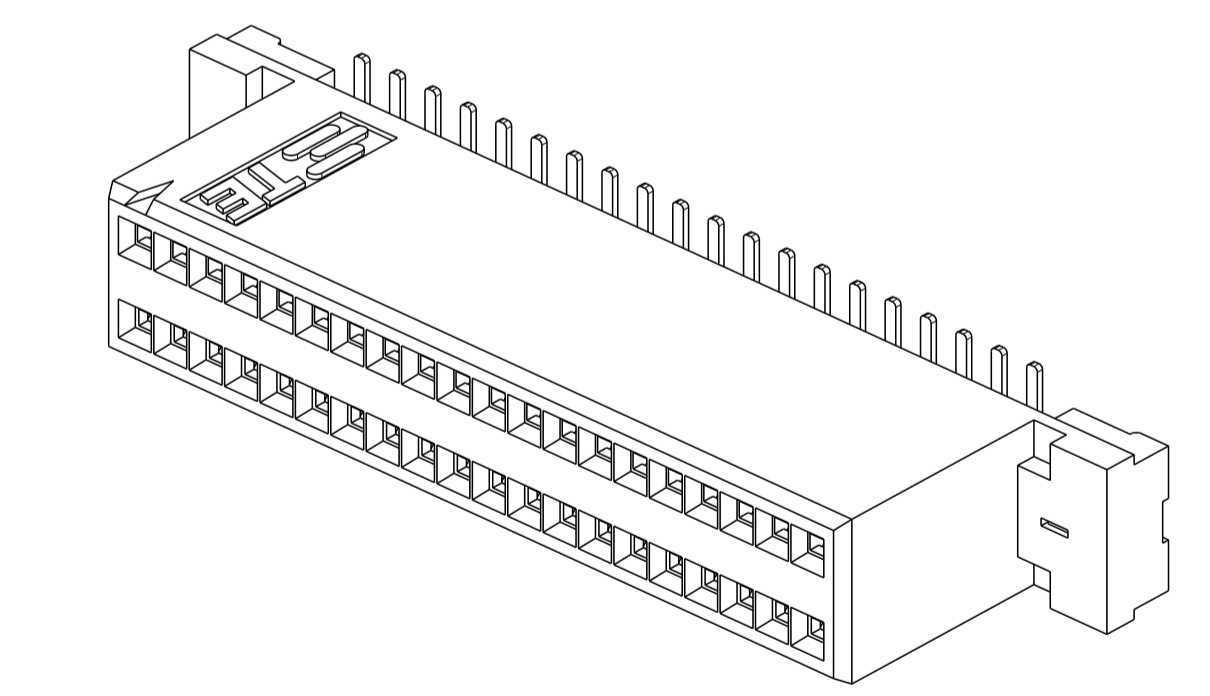
REVISIONS				
P	LTN	DESCRIPTION	DATE	APVD
V		REDRAWN/REVISED PER ECO-17-001757	09NOV2017	GR JO



SECTION A-A



DETAIL G SCALE 8:1



SCALE 5:1

THIS DRAWING IS A CONTROLLED DOCUMENT.		DWN: G. RAMESH 08NOV2017	TE Connectivity
DIMENSIONS: mm		CHK: J. OLSON 08NOV2017	
TOLERANCES UNLESS OTHERWISE SPECIFIED:		APVD: J. OLSON 08NOV2017	NAME: RECEPTACLE ASSEMBLY, VERTICAL, DOUBLE ROW SURFACE MOUNT, AMPMODU System 50
0 PLC ±0.3	1 PLC ±0.3	PRODUCT SPEC	SIZE: A1
2 PLC ±0.13	3 PLC ±0.13	APPLICATION SPEC	CAGE CODE: -
4 PLC ±0.13	ANGLES ±0.5	WEIGHT: -	DRAWING NO: C=104550
MATERIAL: 11	FINISH: -	CUSTOMER DRAWING	RESTRICTED TO: -
SCALE: 4:1			SHEET: 1 OF 2
REV: V			


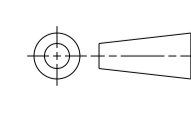
REVISIONS				
P	LTN	DESCRIPTION	DATE	APPD
-		SEE SHEET 1	-	-

- 1 0.76µm GOLD IN LOCALIZED PLATE AREA, 3.81µm TIN-LEAD ON SOLDER TAILS ALL OVER 1.27µm NICKEL.
- 2 USE 1.18 ±0.025 DRILLED HOLE (#56 DRILL) FINISH TO BE TIN-LEAD OVER 0.025 MINIMUM COPPER.
- 3 NOTE DELETED.
- 4 REFER TO NO. OF POSN. IN CHART FOR NUMBER OF SURFACES WHICH ARE COPLANAR.
- 5 NOTE DELETED.
- 6 0.76µm GOLD IN LOCALIZED PLATE AREA, 3.81µm TIN ON SOLDER TAILS ALL OVER 1.27µm NICKEL.
- 7 NOTE DELETED.
- 8 NOTE DELETED.
- 9 FINISH: 0.03µm MIN GOLD ON GOLD PLATED AREA, 3.81µm MATTE IN TIN-LEAD ON TIN PLATED AREA UNDER PLATING: 1.27µm NICKEL ON ENTIRE CONTACT.
- 10 FINISH: 0.03µm MIN GOLD ON GOLD PLATED AREA, 3.81µm MATTE IN TIN ON TIN PLATED AREA UNDER PLATING: 1.27µm NICKEL ON ENTIRE CONTACT.
- 11 MATERIAL: HOUSING:LCP
 COLOR:BLACK
 CONTACT:PHOS BRONZE

10	62.23	49	67.31	33.66	33.66	64.62	100	7-104550-9
	49.53	39	54.61	27.30	27.30	51.92	80	7-104550-8
	36.83	29	41.91	20.96	20.96	39.22	60	7-104550-7
	30.48	24	35.56	17.78	17.78	32.87	50	7-104550-6
	24.13	19	29.21	14.60	14.60	26.52	40	7-104550-5
	17.78	14	22.86	11.43	11.43	20.17	30	7-104550-4
	13.97	44	19.05	9.53	9.53	16.36	24	7-104550-3
	11.43	9	16.51	8.26	8.26	13.82	20	7-104550-2
	5.08	4	10.16	5.08	5.08	7.47	10	7-104550-1
	62.23	49	67.31	33.66	33.66	64.62	100	5-104550-9
49.53	39	54.61	27.30	27.30	51.92	80	5-104550-8	
36.83	29	41.91	20.96	20.96	39.22	60	5-104550-7	
30.48	24	35.56	17.78	17.78	32.87	50	5-104550-6	
24.13	19	29.21	14.60	14.60	26.52	40	5-104550-5	
17.78	14	22.86	11.43	11.43	20.17	30	5-104550-4	
13.97	44	19.05	9.53	9.53	16.36	24	5-104550-3	
11.43	9	16.51	8.26	8.26	13.82	20	5-104550-2	
5.08	4	10.16	5.08	5.08	7.47	10	5-104550-1	
FINISH	DIM_F	E SPACES	DIM_D	DIM_C	DIM_B	DIM_A	NO OF POSN	PART NUMBER

9	62.23	49	67.31	33.66	33.66	64.62	100	2-104550-9
	49.53	39	54.61	27.30	27.30	51.92	80	2-104550-8
	36.83	29	41.91	20.96	20.96	39.22	60	2-104550-7
	30.48	24	35.56	17.78	17.78	32.87	50	2-104550-6
	24.13	19	29.21	14.60	14.60	26.52	40	2-104550-5
	17.78	14	22.86	11.43	11.43	20.17	30	2-104550-4
	13.97	44	19.05	9.53	9.53	16.36	24	2-104550-3
	11.43	9	16.51	8.26	8.26	13.82	20	2-104550-2
	5.08	4	10.16	5.08	5.08	7.47	10	2-104550-1
	62.23	49	67.31	33.66	33.66	64.62	100	104550-9
49.53	39	54.61	27.30	27.30	51.92	80	104550-8	
36.83	29	41.91	20.96	20.96	39.22	60	104550-7	
30.48	24	35.56	17.78	17.78	32.87	50	104550-6	
24.13	19	29.21	14.60	14.60	26.52	40	104550-5	
17.78	14	22.86	11.43	11.43	20.17	30	104550-4	
13.97	44	19.05	9.53	9.53	16.36	24	104550-3	
11.43	9	16.51	8.26	8.26	13.82	20	104550-2	
5.08	4	10.16	5.08	5.08	7.47	10	104550-1	
FINISH	DIM_F	E SPACES	DIM_D	DIM_C	DIM_B	DIM_A	NO OF POSN	PART NUMBER

THIS DRAWING IS A CONTROLLED DOCUMENT.

DIMENSIONS:	TOLERANCES UNLESS OTHERWISE SPECIFIED:	OWN G. RAMESH 08NOV2017	 TE Connectivity NAME RECEPTACLE ASSEMBLY, VERTICAL, DOUBLE ROW SURFACE MOUNT, AMPMODU System 50
mm	0 PLC ±	CHK J. OLSON 08NOV2017	
 1 PLC ±0.3 2 PLC ±0.13 3 PLC ± 4 PLC ± ANGLES ±0.5 FINISH		APPD J. OLSON 08NOV2017	
MATERIAL		PRODUCT SPEC	RESTRICTED TO
		APPLICATION SPEC	SIZE A1
		WEIGHT	CAGE CODE
		CUSTOMER DRAWING	DRAWING NO C=104550
			SCALE 5:1 SHEET 2 OF 2 REV V

X-ON Electronics

Largest Supplier of Electrical and Electronic Components

Click to view similar products for [Board to Board & Mezzanine Connectors](#) category:

Click to view products by [TE Connectivity](#) manufacturer:

Other Similar products are found below :

[589158040000018](#) [FCN-230C068-11](#) [FCN-268F012-G/BD](#) [FCN-268F036-G/BD](#) [FCN-268M012-G/0D](#) [FCN-268M024-G/1D](#) [FCN-723J004/1](#) [MIS-048-01-F-D-DP-K](#) [832-10-034-10-001000](#) [FX4C-80S-1.27DSA](#) [FCN-214Q030-G/0](#) [FCN-234P048-G/0](#) [FCN-235D050-G/C](#) [210-93-314-41-105000](#) [2-22603-0](#) [MDF7-40DP-2.54DSA\(55\)](#) [AXG720047](#) [5031084030](#) [MIT-114-03-F-D-K](#) [55323-1519](#) [DF33-2P-3.3DSA\(24\)](#) [YFT-20-05-H-03-SB-K](#) [503308-3040](#) [026-6203-PDB](#) [027-6203-PDB](#) [069159702701000](#) [10123981-102LF](#) [101A10019X](#) [55650-0588-C](#) [68684-306](#) [75140-7012](#) [589159005003045](#) [194261-1](#) [FCN-268F024-G0D](#) [10124054-515LF](#) [68685-603](#) [8-1616154-3](#) [MIS-019-01-F-D](#) [589159005002045](#) [541371078](#) [IL-WX-10PB-HF-B-E1000E](#) [FCN-268M024-G/3D](#) [20021832-06016C1LF](#) [KX15-20KLDL-E1000E](#) [MDF7-16DP-2.54DSA\(55\)](#) [AXE810124](#) [FCN-214J100-G/0](#) [FCN-230C068-E/S](#) [AXE812124](#) [AXE816124](#)