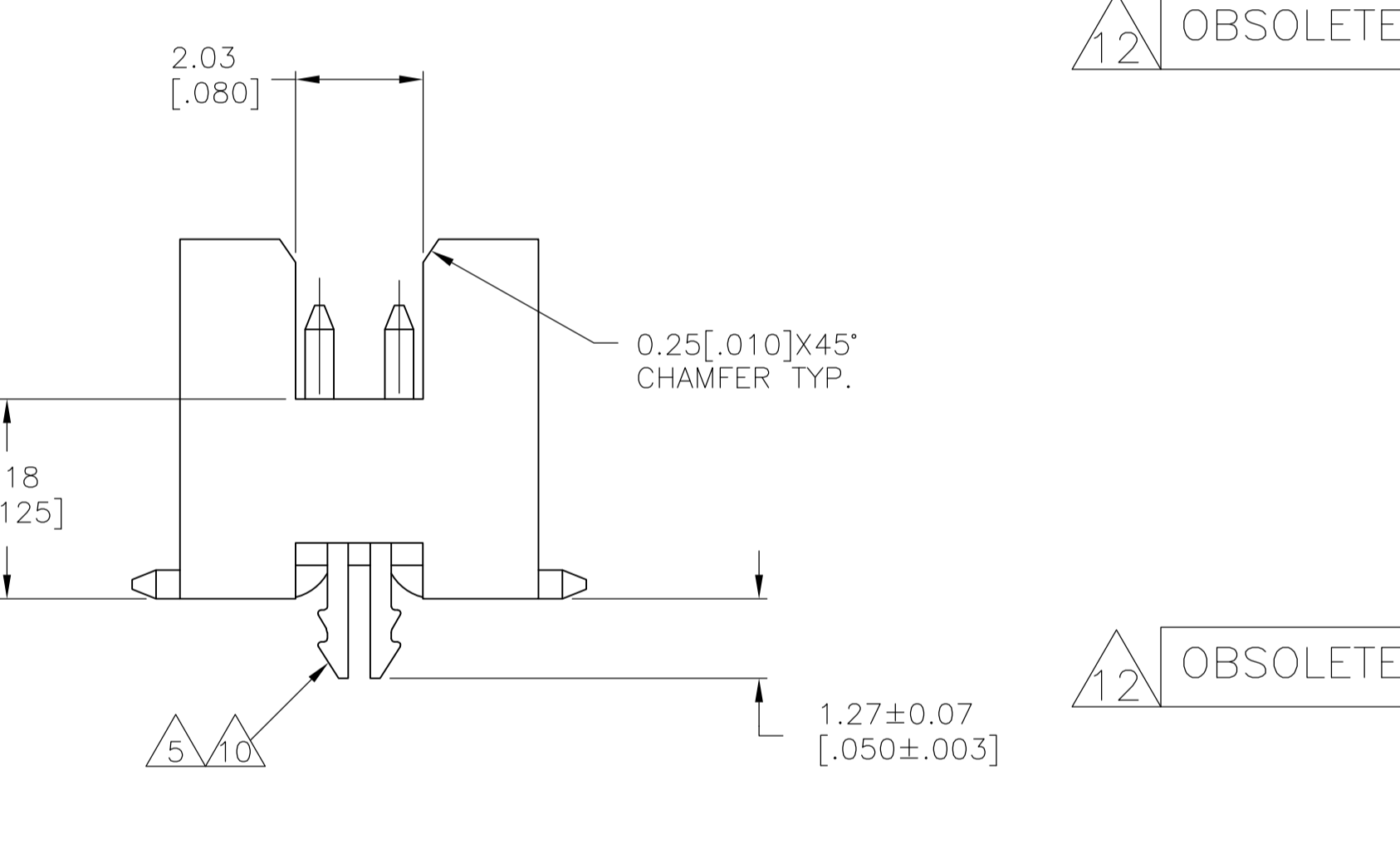
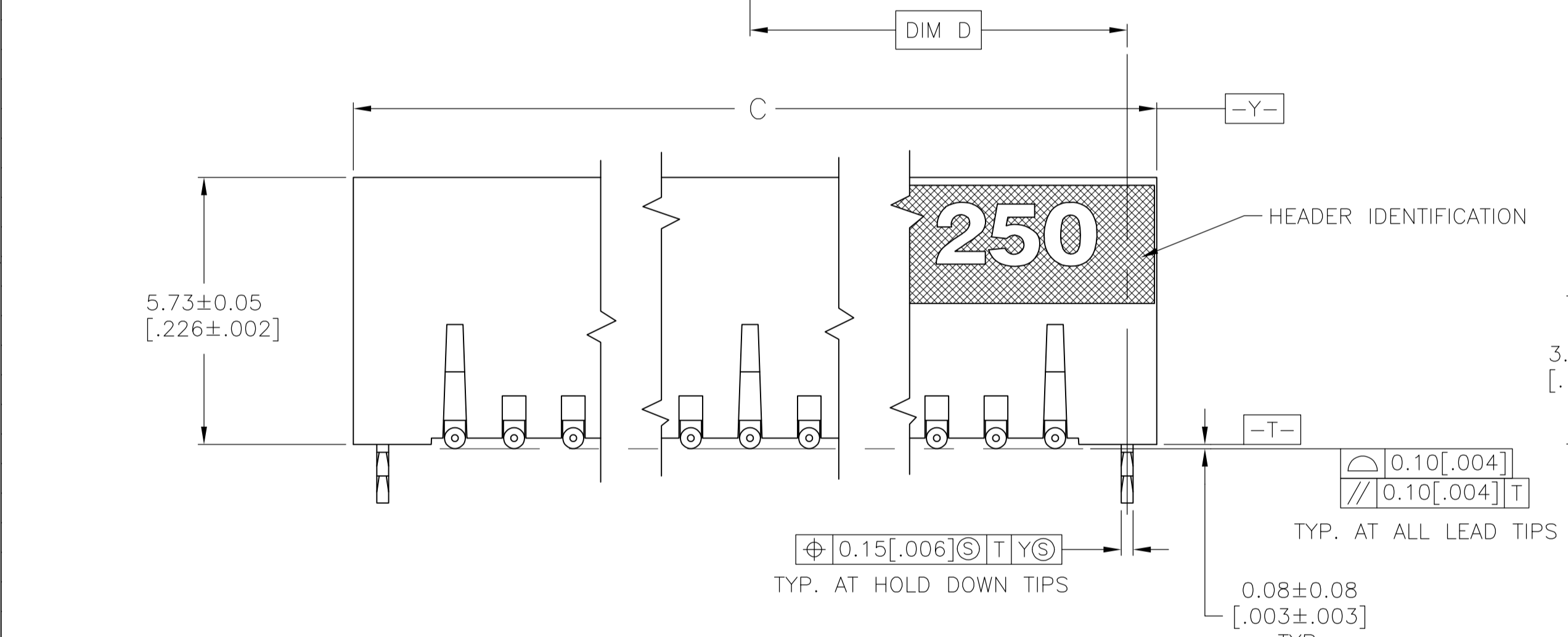
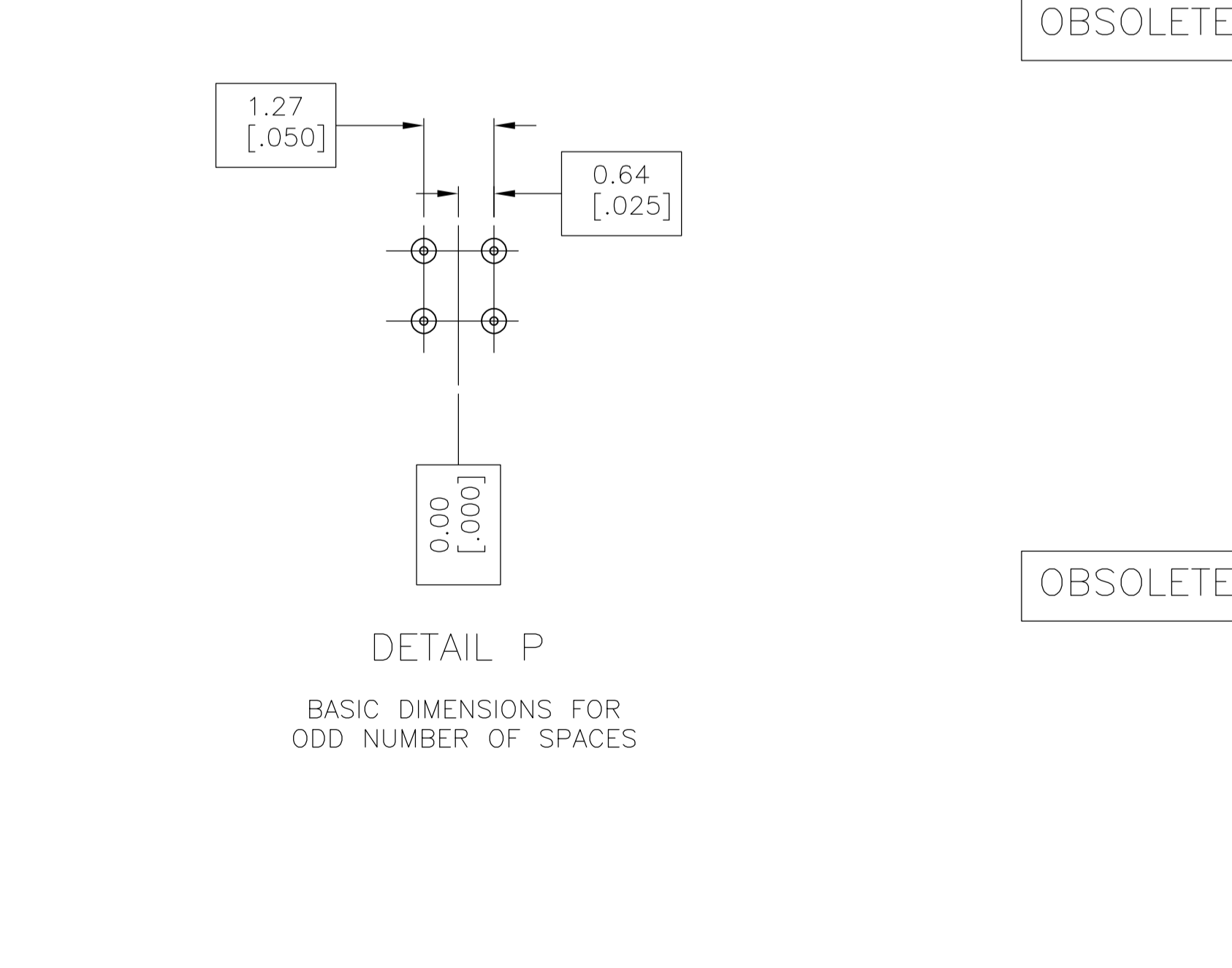
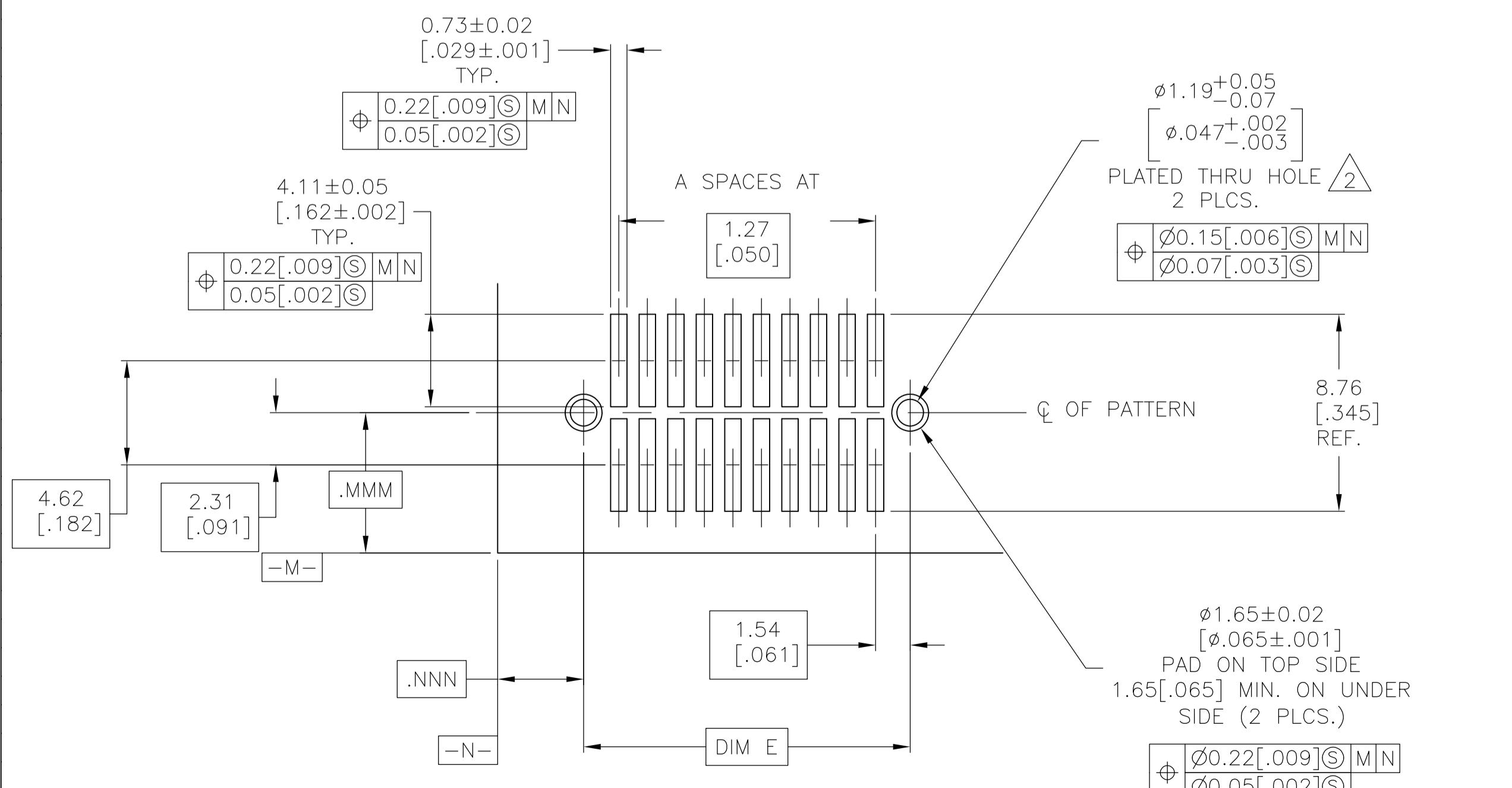


- 1 0.00076[.000030] GOLD AT POINT OF MEASUREMENT, 0.00051[.000020] MIN AT THE END POINTS OF AREA G, (LOCALIZED GOLD PLATE AREA), 0.0038[.000150] TIN-LEAD ON LOCALIZED TIN PLATED AREA, ALL OVER 0.0013[.000050] NICKEL
- 2 USE 1.32±0.02 [.052±.001] DRILLED HOLE (#55 DRILL). FINISH TO BE TIN OVER 0.02 [.001] MIN COPPER.
- 3 DIMENSION APPLIES AT BASE OF SHROUD.
- 4 THE NOTED DIMENSIONS APPLY AT THE MATING FACE OF THE HOUSING.
- 5 0.0038 [.000150] TIN-LEAD ON HOLD DOWN, ALL OVER 0.0013 [.000050] NICKEL.
- 6 IF PLANNING TO USE MORE THAN ONE MATING PAIR OF CONNECTORS TO INTERCONNECT 2 BOARDS, PLEASE REFER TO THE SPACING PARAGRAPH IN APPLICATION SPEC, #114-7010
- 7 POINT OF MEASUREMENT
- 8 DIMENSIONS NOTED APPLY FROM THE BASIC DIMENSION LINE (NOT THE CIRCUIT CAVITY CENTER LINE) TO THE SURFACE INDICATED.
- 9 0.00076[.000030] GOLD AT POINT OF MEASUREMENT, 0.00051[.000020] MIN AT THE END POINTS OF AREA G, (LOCALIZED GOLD PLATE AREA), 0.0038[.000150] TIN ON LOCALIZED TIN PLATED AREA, ALL OVER 0.0013[.000050] NICKEL.
- 10 0.0035[.000150] TIN ON HOLDDOWN, ALL OVER 0.0013[.000050] NICKEL
- 11 ROHS 2002/95/EC COMPLIANT.
- 12 OBSOLETE PARTS: OBSOLETE CIS STREAMLINING PER D.RENAUD/D.SINISI



FINISH	E	D	C	B	A	NUMBER OF POSITIONS	PART NUMBER
15	65.33	32.66	66.59	64.05	49	100	6-104655-1
15	58.97	29.48	60.24	57.70	44	90	6-104655-0
15	52.63	26.31	53.89	51.35	39	80	5-104655-9
15	46.28	23.13	47.54	45.00	34	70	5-104655-8
15	39.93	19.96	41.19	38.65	29	60	5-104655-7
15	33.58	16.78	34.84	32.30	24	50	5-104655-6
15	27.23	13.61	28.49	25.95	19	40	5-104655-5
15	20.88	10.43	22.14	19.60	14	30	5-104655-4
15	14.53	7.26	15.79	13.25	9	20	5-104655-3
15	11.98	5.99	13.25	10.72	7	16	5-104655-2
15	8.18	4.08	9.44	6.90	4	10	5-104655-1
15	65.33	32.66	66.59	64.05	49	100	1-104655-1
15	58.97	29.48	60.24	57.70	44	90	1-104655-0
15	52.63	26.31	53.89	51.35	39	80	104655-9
15	46.28	23.13	47.54	45.00	34	70	104655-8
15	39.93	19.96	41.19	38.65	29	60	104655-7
15	33.58	16.78	34.84	32.30	24	50	104655-6
15	27.23	13.61	28.49	25.95	19	40	104655-5
15	20.88	10.43	22.14	19.60	14	30	104655-4
15	14.53	7.26	15.79	13.25	9	20	104655-3
15	11.98	5.99	13.25	10.72	7	16	104655-2
15	8.18	4.08	9.44	6.90	4	10	104655-1



RECOMMENDED BOARD LAYOUT SCALE-5:1

THIS DRAWING IS A CONTROLLED DOCUMENT. DATE: 08/07/91. KATE HELM. 8/12/91. D. GORENC. 8/12/91. D. FORKER. NAME: HEADER ASSEMBLY, SURFACE MOUNT, AMPMODU 50/50 GRID (6.35[.250] MATED HEIGHT). DIMENSIONS: mm [INCHES]. TOLERANCES UNLESS OTHERWISE SPECIFIED: 0 PLC ±, 1 PLC ±, 2 PLC ±, 3 PLC ±, 4 PLC ±. MATERIAL: HOUSING: LCP, COLOR-BLACK; POST: PHOS BRONZE; HOLD: W/ING. COPPER ALLOY. FINISH: SEE TABLE. WEIGHT: -. SIZE: A1. CUSTOMER DRAWING. SCALE: 10:1. SHEET: 1 OF 1. REV: L3.

## X-ON Electronics

Largest Supplier of Electrical and Electronic Components

*Click to view similar products for [Headers & Wire Housings](#) category:*

*Click to view products by [TE Connectivity](#) manufacturer:*

Other Similar products are found below :

[892-18-020-10-001101](#) [58102-G61-06LF](#) [582553-1](#) [0009485154](#) [009176003701906](#) [0050291907](#) [LY20-4P-DT1-P1E-BR](#) [02.125.8002.8](#)  
[609-3404](#) [61062-3](#) [61082-181009](#) [622-3653LF](#) [63453-116](#) [636-1030](#) [636-1427](#) [636-3427](#) [636-4007](#) [641938-9](#) [641991-4](#) [644827-2](#) [65817-](#)  
[010LF](#) [65817-015LF](#) [65863-015LF](#) [66207-023LF](#) [67095-007LF](#) [67601157](#) [68645-018](#) [68648-049](#) [70.362.1628.0](#) [70-4210](#) [70-4226B](#) [70-](#)  
[4853B](#) [707-5020](#) [707-5028](#) [71.350.2428.0](#) [71918-208LF](#) [71961-016LF](#) [733-134](#) [733-162](#) [754199-000](#) [760-3052](#) [787-8014-00](#) [79531-3000](#)  
[FCN-360C032-B](#) [FCN-367T-T012/H](#) [FCN-723D010/2](#) [80.063.4001.1](#) [800-90-001-10-001000](#) [800-90-010-10-002000](#) [801-43-002-10-013000](#)