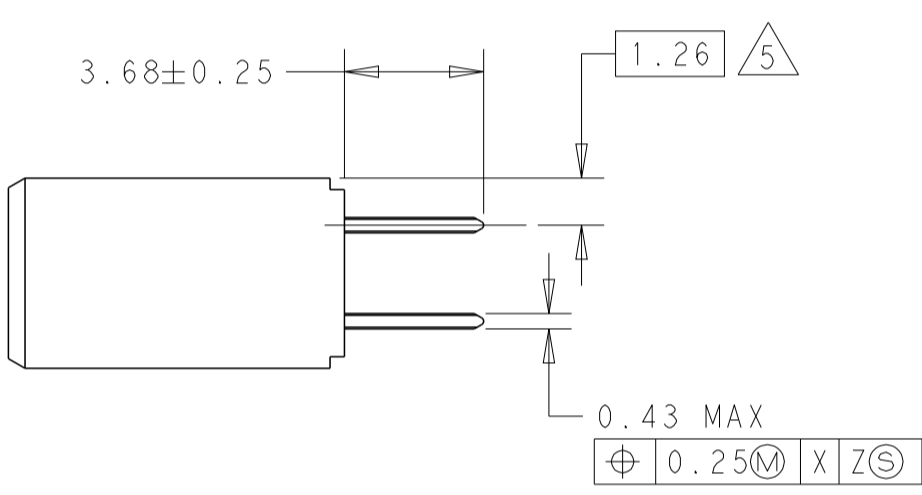
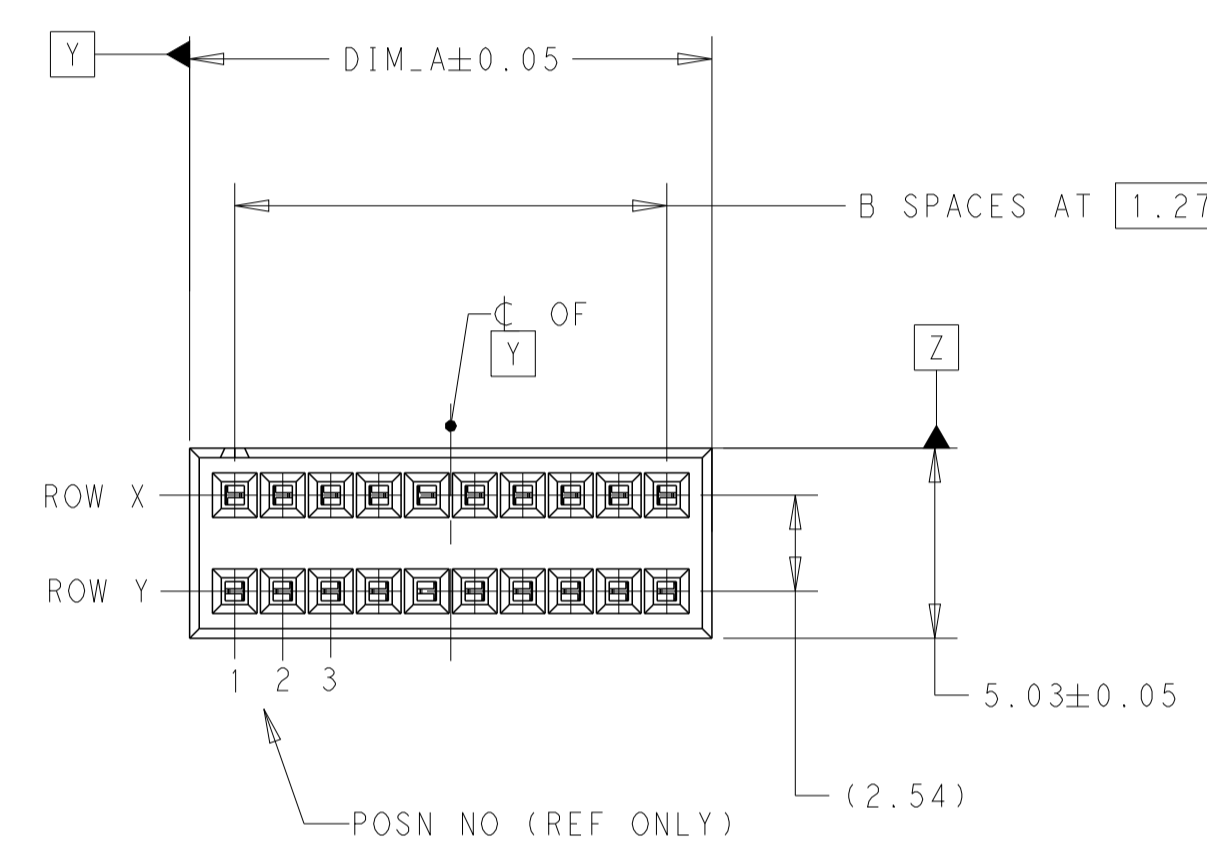
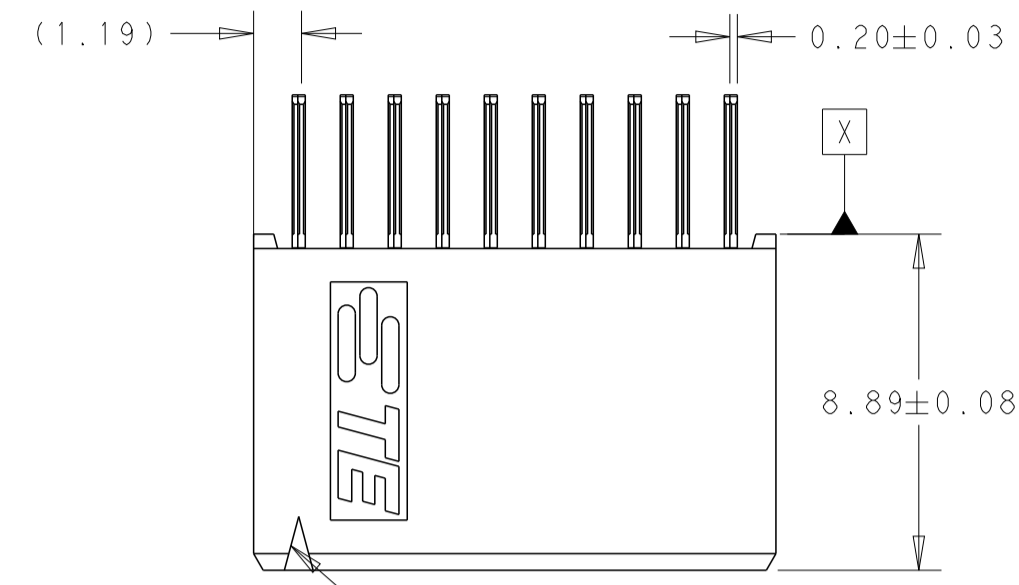
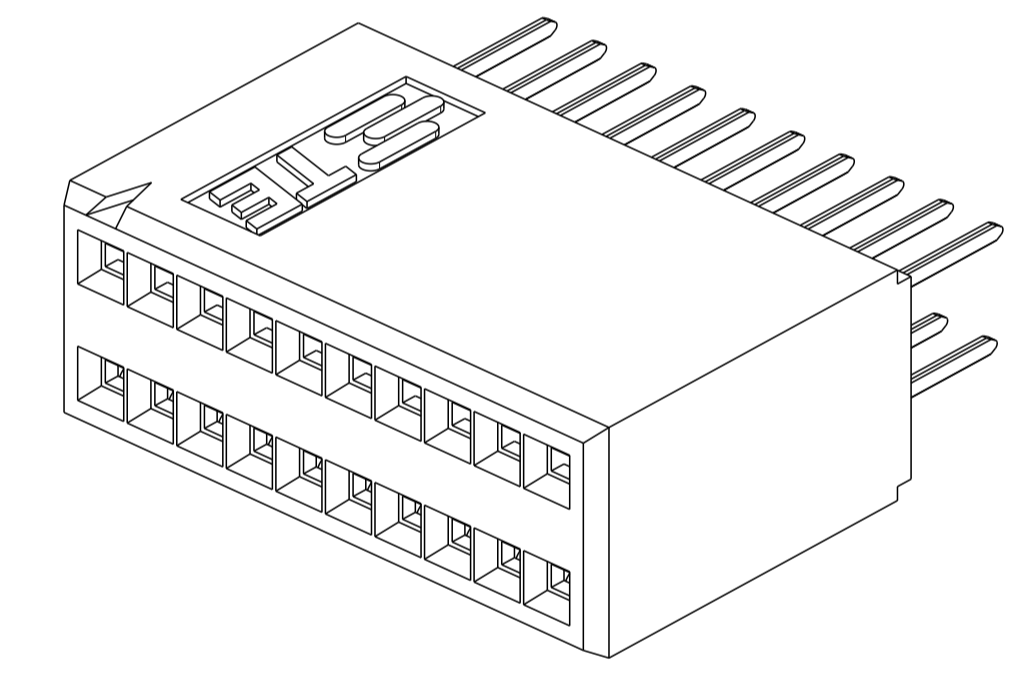


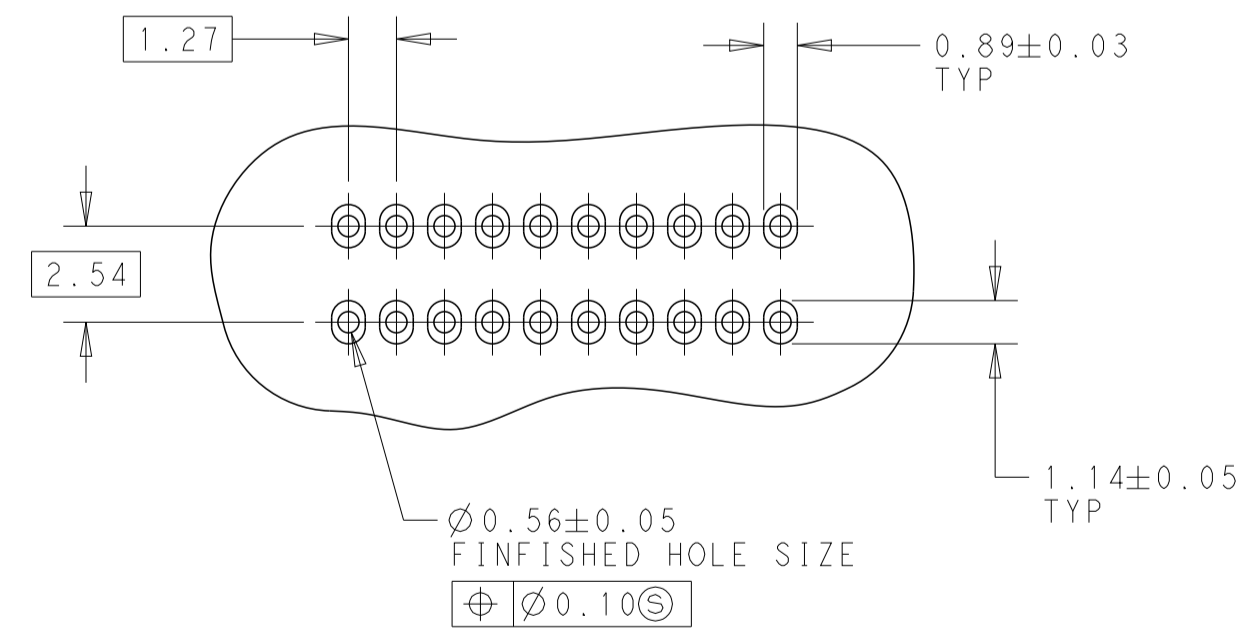
REVISIONS				
P	LTN	DESCRIPTION	DATE	APVD
P		REDRAWN/REVISED PER ECO-17-001757	10NOV2017	GR JO



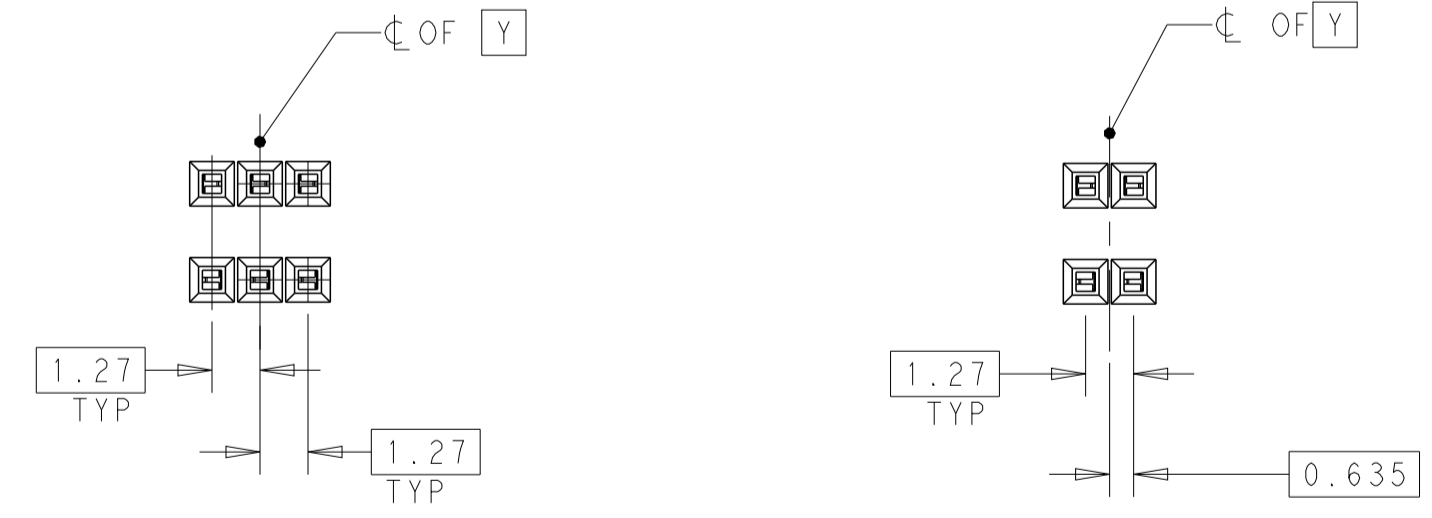
- △ CONTACT AREAS PLATED WITH 0.76µm GOLD, SOLDER TAILS PLATED WITH 3.81µm TIN-LEAD, ALL OVER 1.27µm NICKEL
- 2 NOTE DELETED.
- △ MATERIAL: HOUSING- LCP, COLOR-BLACK CONTACT- COPPER ALLOY
- 4 NOTE DELETED.
- △ THE NOTED DIMENSIONS APPLY AT THE INTERSECTION OF POST AND HOUSING
- 6 NOTE DELETED.
- △ CONTACT AREA PLATED WITH 0.76µm GOLD, SOLDER TAILS PLATED WITH 3.81µm TIN, ALL OVER 1.27µm NICKEL.
- 8 NOTE DELETED.
- △ FINISH: 0.03µm MIN GOLD ON GOLD PLATED AREA, 3.81µm MATTE IN TIN-LEAD ON TIN PLATED AREA. UNDER PLATING: 1.27µm NICKEL ON ENTIRE CONTACT
- △ FINISH: 0.03µm MIN GOLD ON GOLD PLATED AREA, 3.81µm MATTE IN TIN ON TIN PLATED AREA. UNDER PLATING: 1.27µm NICKEL ON ENTIRE CONTACT
- 11 NOTE DELETED.
- 12 NOTE DELETED.
- 13 NOTE DELETED.



SCALE 7:1



RECOMMENDED HOLE PATTERN



BASIC DIMENSIONS FOR EVEN NO OF SPACES (SEE TABLE)

BASIC DIMENSIONS FOR ODD NO OF SPACES (SEE TABLE)

△10	24	32.87	50	7-104744-7	
	19	26.52	40	7-104744-6	
	49	64.62	100	7-104744-5	
	39	51.92	80	7-104744-4	
	4	7.47	10	7-104744-3	
	14	20.17	30	7-104744-2	
	9	13.82	20	7-104744-1	
	△11	24	32.87	50	5-104744-7
		19	26.52	40	5-104744-6
		49	64.62	100	5-104744-5
39		51.92	80	5-104744-4	
4		7.47	10	5-104744-3	
14		20.17	30	5-104744-2	
9	13.82	20	5-104744-1		
FINISH	B SPACES	DIM_A	NO OF POSN	PART NO.	

△9	24	32.87	50	2-104744-7	
	19	26.52	40	2-104744-6	
	49	64.62	100	2-104744-5	
	39	51.92	80	2-104744-4	
	4	7.47	10	2-104744-3	
	14	20.17	30	2-104744-2	
	9	13.82	20	2-104744-1	
	△12	24	32.87	50	104744-7
		19	26.52	40	104744-6
		49	64.62	100	104744-5
39		51.92	80	104744-4	
4		7.47	10	104744-3	
14		20.17	30	104744-2	
9	13.82	20	104744-1		
FINISH	B SPACES	DIM_A	NO OF POSN	PART NO.	

THIS DRAWING IS A CONTROLLED DOCUMENT. DIMENSIONS: mm. TOLERANCES UNLESS OTHERWISE SPECIFIED: 0 PLC ±, 1 PLC ±0.3, 2 PLC ±0.13, 3 PLC ±, 4 PLC ±, ANGLES ±, FINISH ±. MATERIAL: TBD. THIS DRAWING IS A CONTROLLED DOCUMENT. DWN: G. RAMESH 10NOV2017, CH: J. OLSON 10NOV2017, APVD: J. OLSON 10NOV2017. NAME: RECEPTACLE ASSEMBLY, VERTICAL, DOUBLE ROW, AMPMODU System 50. SIZE: A100779, CAGE CODE: 104744, DRAWING NO: 104744. RESTRICTED TO: -. WEIGHT: -. CUSTOMER DRAWING. SCALE: 5:1. SHEET: 1 OF 1. REV: P.

## X-ON Electronics

Largest Supplier of Electrical and Electronic Components

*Click to view similar products for [Board to Board & Mezzanine Connectors](#) category:*

*Click to view products by [TE Connectivity](#) manufacturer:*

Other Similar products are found below :

[589158040000018](#) [MDF7C-18P-2.54DSA\(55\)](#) [FCN-230C068-11](#) [FCN-268F012-G/BD](#) [FCN-268F036-G/BD](#) [FCN-268M012-G/0D](#) [FCN-268M024-G/1D](#) [FCN-723J004/1](#) [MIS-048-01-F-D-DP-K](#) [832-10-034-10-001000](#) [FX4C-80S-1.27DSA](#) [FCN-214Q030-G/0](#) [FCN-234P048-G/0](#) [FCN-235D050-G/C](#) [210-93-314-41-105000](#) [2-22603-0](#) [MDF7-40DP-2.54DSA\(55\)](#) [AXG720047](#) [5031084030](#) [MIT-114-03-F-D-K](#) [55323-1519](#) [DF33-2P-3.3DSA\(24\)](#) [YFT-20-05-H-03-SB-K](#) [503308-3040](#) [026-6203-PDB](#) [027-6203-PDB](#) [069159702701000](#) [10123981-102LF](#) [101A10019X](#) [55650-0588-C](#) [68682-310LF](#) [68684-306](#) [75140-7012](#) [87471-650](#) [YTW-30-07-H-Q-410-140](#) [194261-1](#) [FCN-268F024-G0D](#) [10124054-515LF](#) [68685-603](#) [8-1616154-3](#) [MIS-019-01-F-D](#) [FCN-268M024-G/3D](#) [20021832-06016C1LF](#) [KX15-20KLDL-E1000E](#) [MDF7-16DP-2.54DSA\(55\)](#) [AXE810124](#) [FCN-214J100-G/0](#) [FCN-230C068-E/S](#) [AXE812124](#) [AXE816124](#)