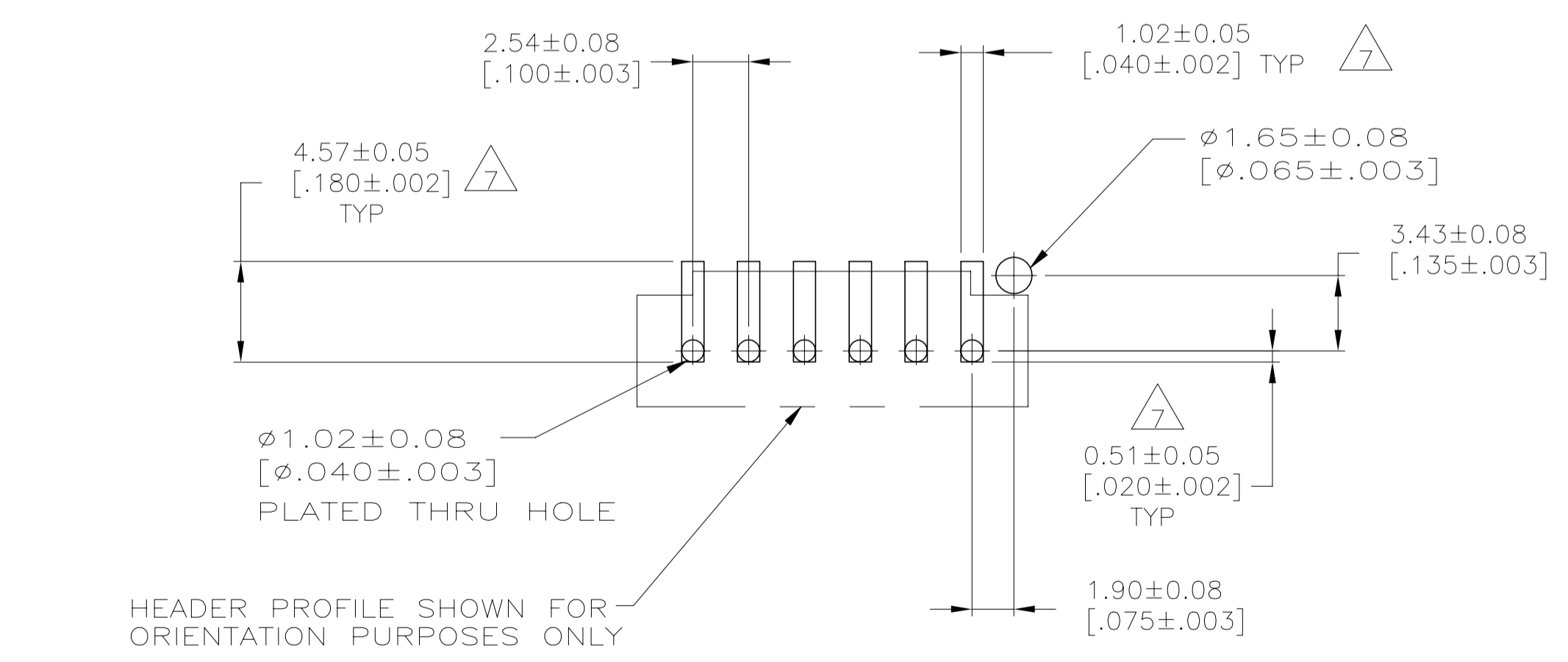
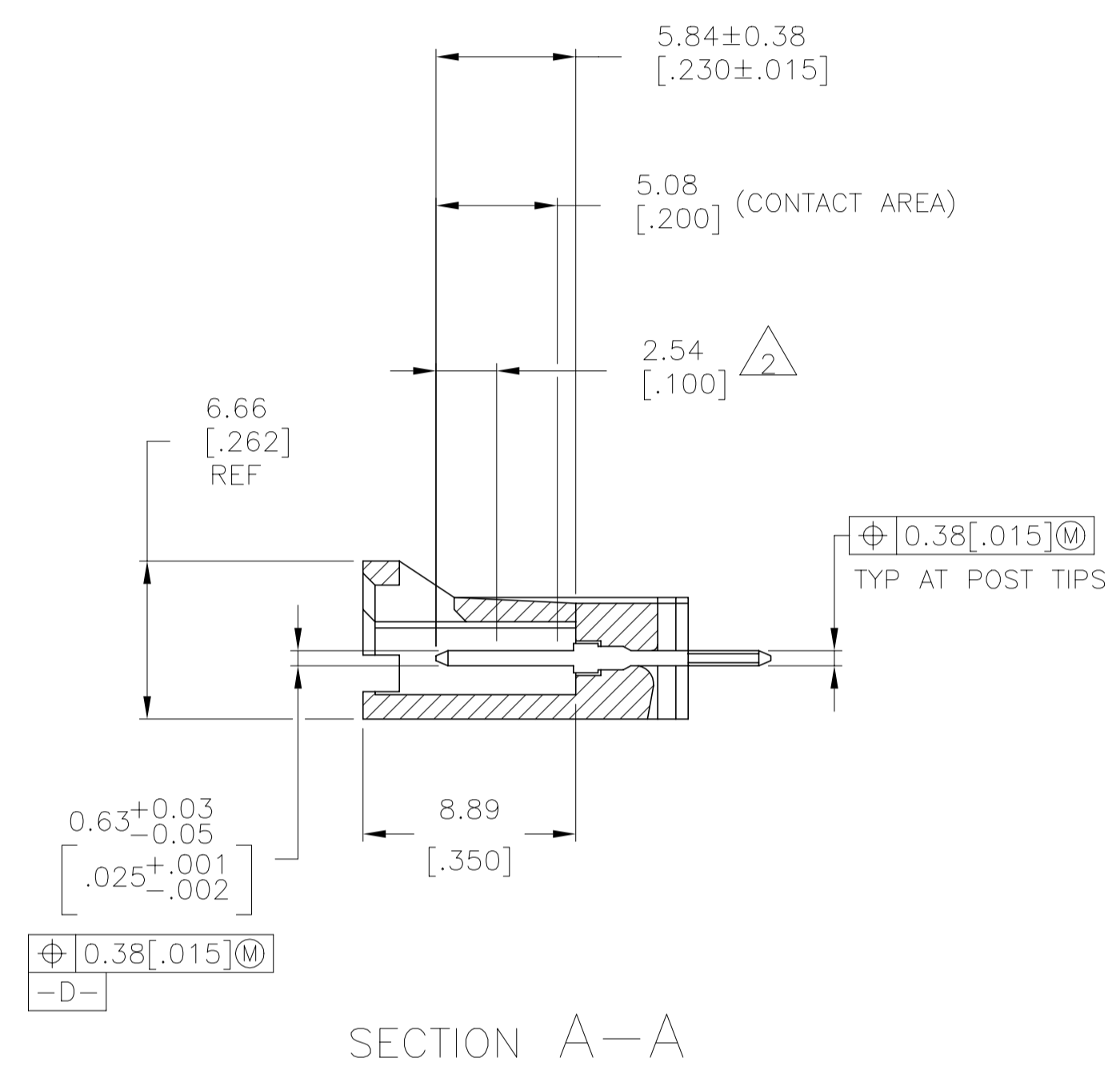
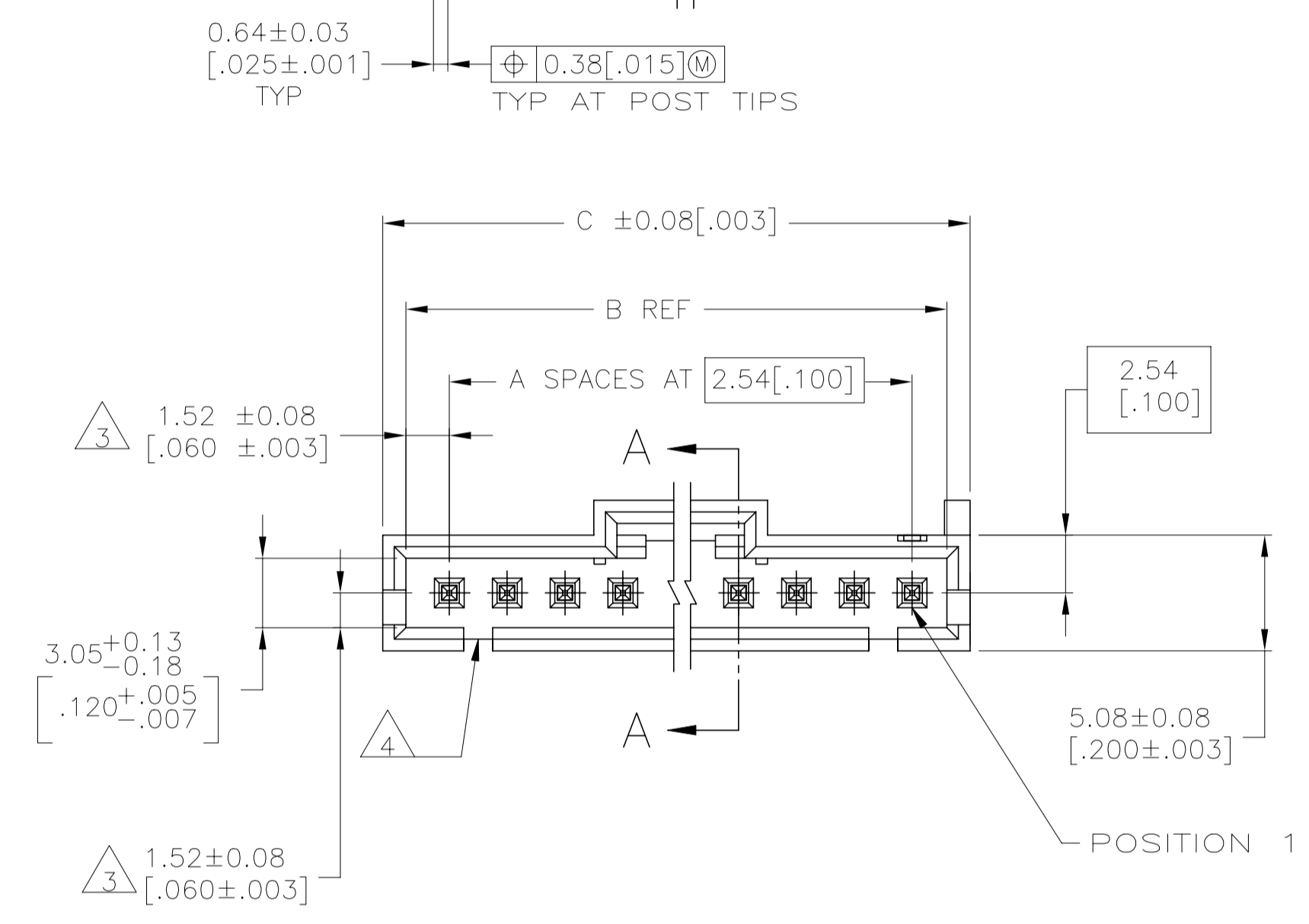
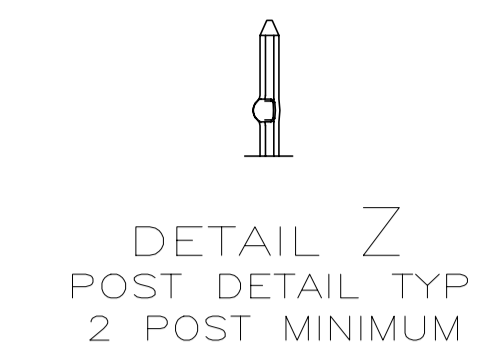
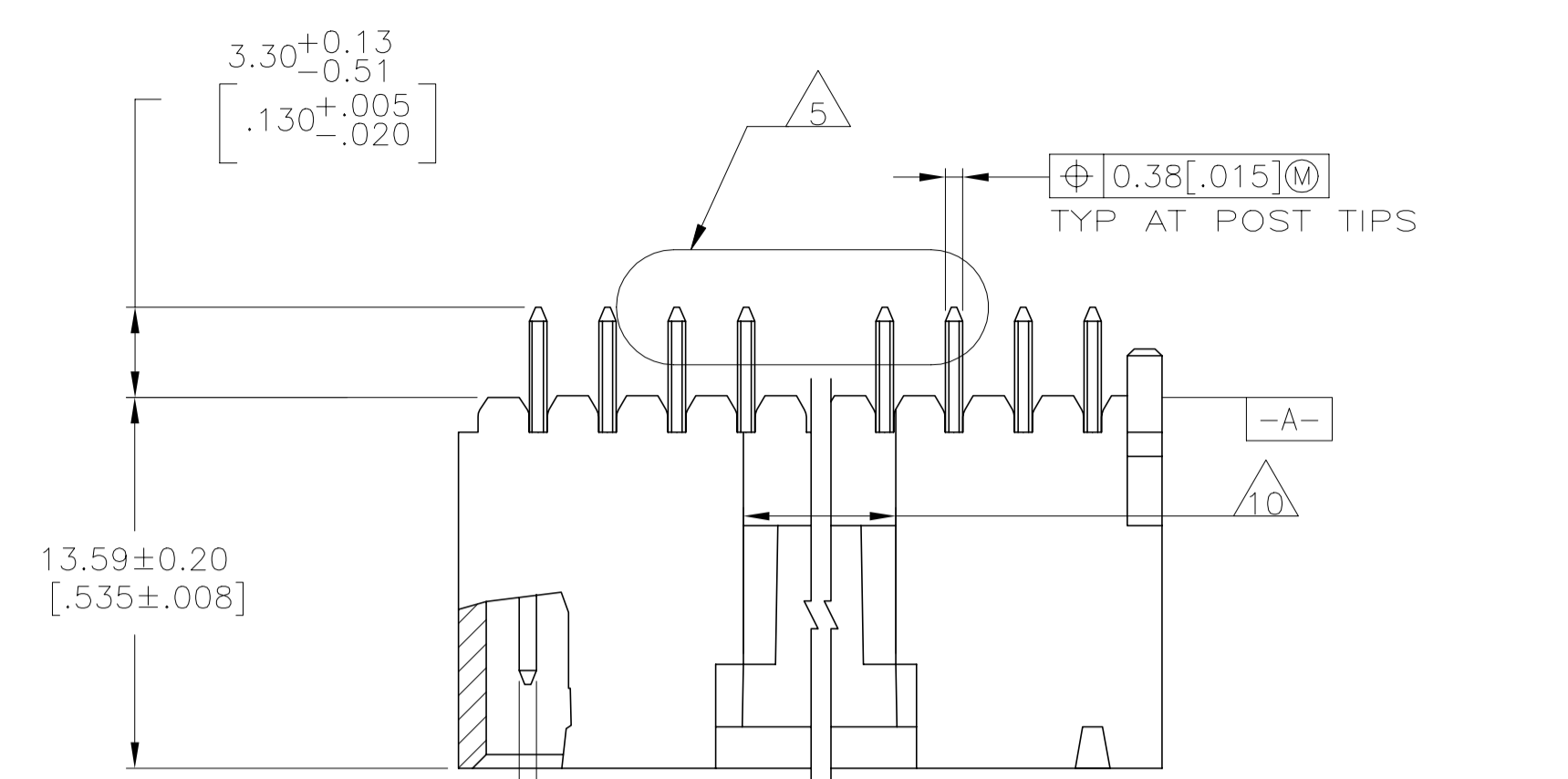


| REVISIONS | | | | | |
|-----------|-----|---------------------------|-----------|-----|------|
| P | LTR | DESCRIPTION | DATE | DRN | APVD |
| N | | REVISED PER ECO-20-001327 | 05JUN2020 | SB | JO |



RECOMMENDED PC BOARD MOUNTING DIMENSIONS
RECOMMENDED STENCIL THICKNESS = 0.25[.010]

- 1 FINISH: .00038[.000015] GOLD IN THE CONTACT AREA, .00254[.000100] MATTE TIN-LEAD ON REMAINDER OF CONTACT, ALL OVER .00127[.000050] NICKEL.
- 2 POINT OF MEASUREMENT FOR PLATING THICKNESS.
- 3 THE NOTED DIMENSIONS APPLY FROM THE BASIC DIMENSION CENTER LINE (NOT THE POST CENTER LINE) TO THE SURFACE INDICATED.
- 4 ONE POLARIZATION SLOT FOR 2 AND 3 POSITION ASSEMBLIES ONLY.
- 5 SELECT POST TAILS FORMED TO PROVIDE CONNECTOR HOLD DOWN UNTIL SOLDERED, CONFIGURATION ACCEPTS 0.69[.027]-2.03[.080] THICK PRINTED CIRCUIT BOARD. (SEE DETAIL Z).
- 6 PARTS ARE PACKAGED IN GANG OF TUBES.
- 7 DIMENSIONS NOTED ARE FOR SOLDER STENCIL LAYOUT FOR USE WITH 1.58±0.20[.062±.008] THICK PRINTED CIRCUIT BOARDS.
- 8 MATERIAL- HOUSING: LCP, COLOR-BLACK. POSTS: BRASS.
- 9 FINISH: .00038[.000015] GOLD IN THE CONTACT AREA, .00254[.000100] MATTE TIN ON REMAINDER OF CONTACT, ALL OVER .00127[.000050] NICKEL.
- 10 0.25 [.010] RECESS PERMISSIBLE IN THIS AREA FOR MOLD SHUT OFF

| | | | | | |
|---------|------------------|------------------|-----|-------------|------------|
| 9 | 32.89 [1.295] | 30.99 [1.220] | 1 1 | 12 | 6-104809-1 |
| 9 | 30.35 [1.195] | 28.45 [1.120] | 10 | 1 1 | 6-104809-0 |
| 9 | 27.81 [1.095] | 25.91 [1.020] | 9 | 10 | 5-104809-9 |
| 9 | 25.27 [.995] | 23.37 [.920] | 8 | 9 | 5-104809-8 |
| 9 | 22.73 [.895] | 20.83 [.820] | 7 | 8 | 5-104809-7 |
| 9 | 20.19 [.795] | 18.29 [.720] | 6 | 7 | 5-104809-6 |
| 9 | 17.65 [.695] | 15.75 [.620] | 5 | 6 | 5-104809-5 |
| 9 | 15.11 [.595] | 13.21 [.520] | 4 | 5 | 5-104809-4 |
| 9 | 12.57 [.495] | 10.67 [.420] | 3 | 4 | 5-104809-3 |
| 9 | 10.03 [.395] | 8.13 [.320] | 2 | 3 | 5-104809-2 |
| 9 | 7.49 [.295] | 5.59 [.220] | 1 | 2 | 5-104809-1 |
| 1 | 32.89 [1.295] | 30.99 [1.220] | 1 1 | 12 | 1-104809-1 |
| 1 | 30.35 [1.195] | 28.45 [1.120] | 10 | 1 1 | 1-104809-0 |
| 1 | 27.81 [1.095] | 25.91 [1.020] | 9 | 10 | 104809-9 |
| 1 | 25.27 [.995] | 23.37 [.920] | 8 | 9 | 104809-8 |
| 1 | 22.73 [.895] | 20.83 [.820] | 7 | 8 | 104809-7 |
| 1 | 20.19 [.795] | 18.29 [.720] | 6 | 7 | 104809-6 |
| 1 | 17.65 [.695] | 15.75 [.620] | 5 | 6 | 104809-5 |
| 1 | 15.11 [.595] | 13.21 [.520] | 4 | 5 | 104809-4 |
| 1 | 12.57 [.495] | 10.67 [.420] | 3 | 4 | 104809-3 |
| 1 | 10.03 [.395] | 8.13 [.320] | 2 | 3 | 104809-2 |
| 1 | 7.49 [.295] | 5.59 [.220] | 1 | 2 | 104809-1 |
| PLATING | C | B | A | NO. OF POSN | PART NO. |

THIS DRAWING IS A CONTROLLED DOCUMENT. DWN R BROWN 09FEB01
DK K WRIGHT 09FEB01

TE Connectivity

STE

PLZD HDR ASSY, AMPMODU MTE, VERTICAL SINGLE ROW, 2.54[.100] CL, 0.64[.025] SQ POSTS, WITH LATCHING & HOLD DOWN

APVD K WRIGHT 09FEB01

PRODUCT SPEC

APPLICATION SPEC

SIZE CAGE CODE DRAWING NO RESTRICTED TO

A1 00779 C=104809

MATERIAL SEE NOTE 8 FINISH SEE TABLE WEIGHT - SCALE 4:1 SHEET 1 OF 1 REV N

CUSTOMER DRAWING

X-ON Electronics

Largest Supplier of Electrical and Electronic Components

Click to view similar products for [Headers & Wire Housings](#) category:

Click to view products by [TE Connectivity](#) manufacturer:

Other Similar products are found below :

[892-18-020-10-001101](#) [58102-G61-06LF](#) [582553-1](#) [0009485154](#) [009176003701906](#) [0050291907](#) [LY20-4P-DT1-P1E-BR](#) [02.125.8002.8](#)
[609-3404](#) [61062-3](#) [61082-181009](#) [622-3653LF](#) [63453-116](#) [636-1030](#) [636-1427](#) [636-3427](#) [636-4007](#) [641938-9](#) [641991-4](#) [644827-2](#) [65817-010LF](#) [65817-015LF](#) [65863-015LF](#) [66207-023LF](#) [67095-007LF](#) [67601157](#) [68645-018](#) [68648-049](#) [70.362.1628.0](#) [70-4210](#) [70-4226B](#) [70-4853B](#) [707-5020](#) [707-5028](#) [71.350.2428.0](#) [71918-208LF](#) [71961-016LF](#) [733-134](#) [733-162](#) [754199-000](#) [760-3052](#) [787-8014-00](#) [79531-3000](#)
[FCN-360C032-B](#) [FCN-367T-T012/H](#) [FCN-723D010/2](#) [80.063.4001.1](#) [800-90-001-10-001000](#) [800-90-010-10-002000](#) [801-43-002-10-013000](#)