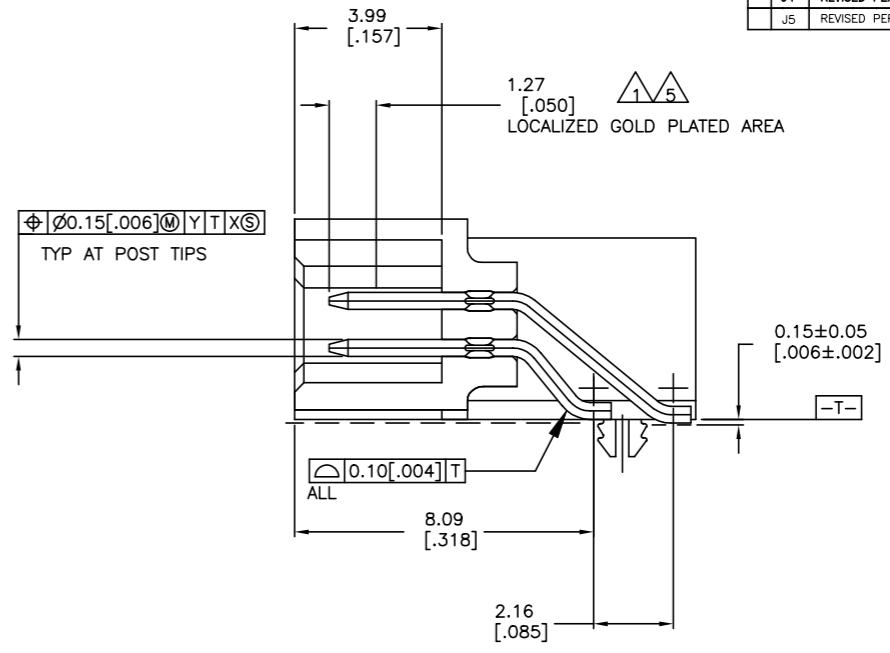
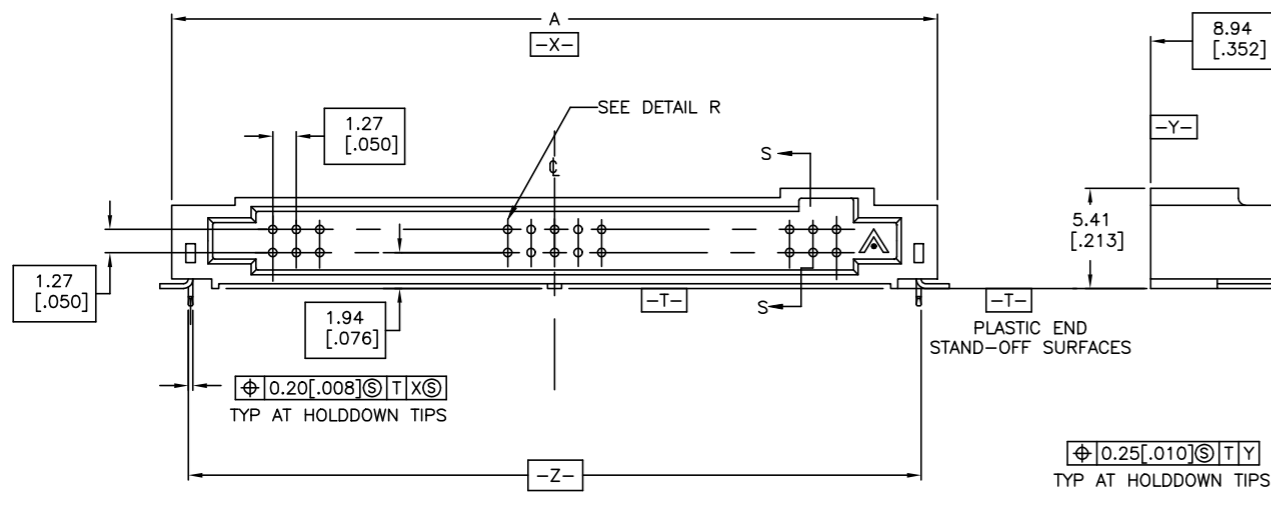
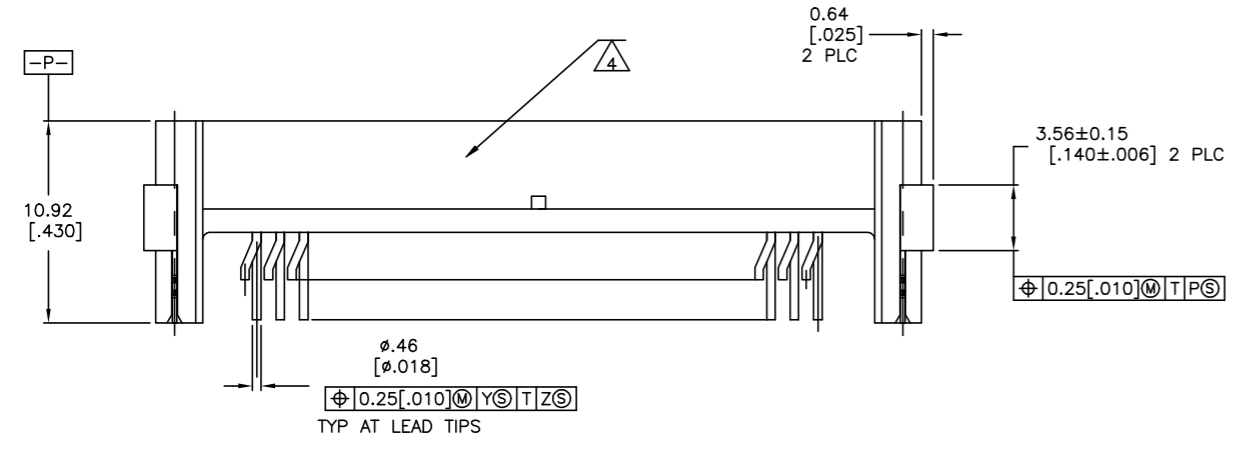


| REVISIONS | | | | |
|-----------|----|---------------------------|-----------|--------|
| P | LR | DESCRIPTION | DATE | APPV |
| J4 | | REVISED PER ECO-11-004820 | 11MAR11 | RK HMR |
| J5 | | REVISED PER ECO-19-015225 | 16OCT2019 | RS JO |

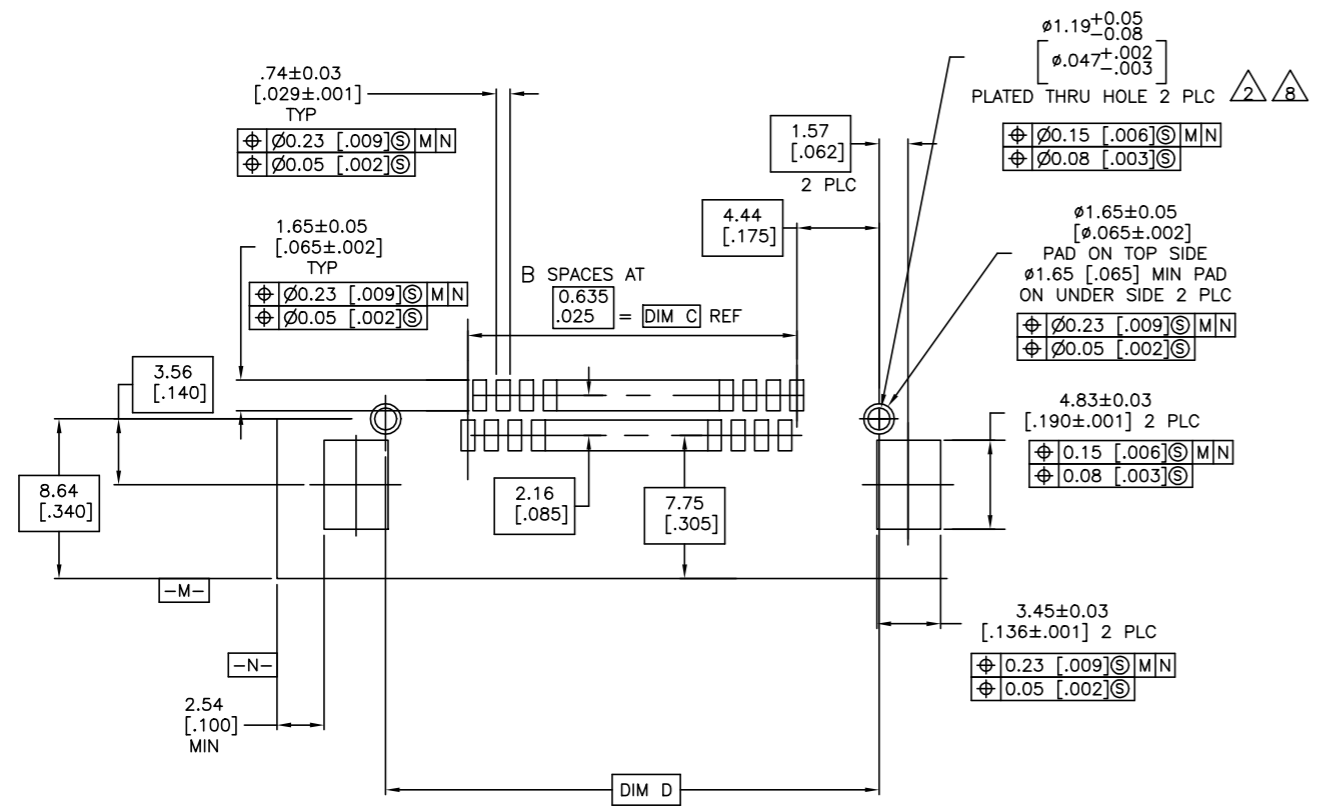


SECTION S-S



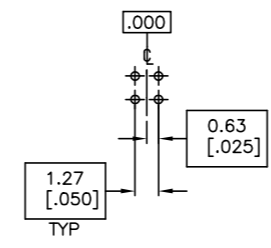
- 1 0.00076 [.000030] GOLD IN LOCALIZED PLATE AREA 0.00381 [.000150] TIN-LEAD ON SOLDER LEADS ALL OVER 0.00127 [.000050] NICKEL
- 2 USE 1.32±0.02 [.0520±.0010] DRILLED HOLE (#55 DRILL) FINISH TO BE TIN-LEAD OVER 0.02 [.001] MIN COPPER
- 3 PLATING: 0.0038 [.000150] TIN-LEAD OVER 0.00127 [.000050] NICKEL
- 4 SERRATIONS OPTIONAL THIS SURFACE.
- 5 0.00076 [.000030] GOLD IN LOCALIZED PLATE AREA 0.00381 [.000150] TIN ON SOLDER LEADS ALL OVER 0.00127 [.000050] NICKEL
- 6 PRELIMINARY PART - NOT RELEASED FOR PRODUCTION.
- 7 PLATING: 0.0038 (.00015) TIN OVER .00127 (.000050) NICKEL.
- 8 USE 1.32+/-0.02 (.052+/-0.0010) DRILLED HOLE (#55 DRILL) FINISH TO BE TIN OVER 0.02 (.001) MIN COPPER
- 9 ROHS 2002/95/EC COMPLIANT.
- 10 OBSOLETE PARTS: OBSOLETE CIS STREAMLINING PER D.RENAUD/D.SINISI

| FINISH | NO. OF SPA (SEE DETAIL R) | D | C | B | A | NUMBER OF POSITIONS | PART NUMBER | | |
|--------|---------------------------|---|----|---------------|---------------|---------------------|---------------|-----|------------|
| 9 | 5 | 7 | 49 | 71.12 [2.800] | 62.87 [2.475] | 99 | 73.15 [2.880] | 100 | 6-104894-0 |
| 9 | 5 | 7 | 44 | 64.77 [2.550] | 56.52 [2.225] | 89 | 66.80 [2.630] | 90 | 5-104894-9 |
| 10 | 9 | 9 | 39 | 58.42 [2.300] | 50.17 [1.975] | 79 | 60.45 [2.380] | 80 | 5-104894-8 |
| 9 | 5 | 7 | 34 | 52.07 [2.050] | 43.82 [1.725] | 69 | 54.10 [2.130] | 70 | 5-104894-7 |
| 9 | 5 | 7 | 29 | 45.72 [1.800] | 37.47 [1.475] | 59 | 47.75 [1.880] | 60 | 5-104894-6 |
| 9 | 5 | 7 | 24 | 39.37 [1.550] | 31.12 [1.225] | 49 | 41.40 [1.630] | 50 | 5-104894-5 |
| 9 | 5 | 7 | 19 | 33.02 [1.300] | 24.77 [0.975] | 39 | 35.05 [1.380] | 40 | 5-104894-4 |
| 9 | 5 | 7 | 14 | 26.67 [1.050] | 18.42 [0.725] | 29 | 28.70 [1.130] | 30 | 5-104894-3 |
| 9 | 5 | 7 | 9 | 20.32 [0.800] | 12.07 [0.475] | 19 | 22.35 [0.880] | 20 | 5-104894-2 |
| 9 | 5 | 7 | 4 | 13.97 [0.550] | 5.72 [0.225] | 9 | 16.00 [0.630] | 10 | 5-104894-1 |
| 6 | 5 | 7 | 24 | 39.37 [1.550] | 31.12 [1.225] | 49 | 41.40 [1.630] | 50 | 1-104894-5 |
| 6 | 5 | 7 | 14 | 26.67 [1.050] | 18.42 [0.725] | 29 | 28.70 [1.130] | 30 | 1-104894-3 |
| 1 | 3 | 3 | 49 | 71.12 [2.800] | 62.87 [2.475] | 99 | 73.15 [2.880] | 100 | 1-104894-0 |
| 1 | 3 | 3 | 44 | 64.77 [2.550] | 56.52 [2.225] | 89 | 66.80 [2.630] | 90 | 104894-9 |
| 1 | 3 | 3 | 39 | 58.42 [2.300] | 50.17 [1.975] | 79 | 60.45 [2.380] | 80 | 104894-8 |
| 1 | 3 | 3 | 34 | 52.07 [2.050] | 43.82 [1.725] | 69 | 54.10 [2.130] | 70 | 104894-7 |
| 1 | 3 | 3 | 29 | 45.72 [1.800] | 37.47 [1.475] | 59 | 47.75 [1.880] | 60 | 104894-6 |
| 1 | 3 | 3 | 24 | 39.37 [1.550] | 31.12 [1.225] | 49 | 41.40 [1.630] | 50 | 104894-5 |
| 1 | 3 | 3 | 19 | 33.02 [1.300] | 24.77 [0.975] | 39 | 35.05 [1.380] | 40 | 104894-4 |
| 1 | 3 | 3 | 14 | 26.67 [1.050] | 18.42 [0.725] | 29 | 28.70 [1.130] | 30 | 104894-3 |
| 1 | 3 | 3 | 9 | 20.32 [0.800] | 12.07 [0.475] | 19 | 22.35 [0.880] | 20 | 104894-2 |
| 1 | 3 | 3 | 4 | 13.97 [0.550] | 5.72 [0.225] | 9 | 16.00 [0.630] | 10 | 104894-1 |



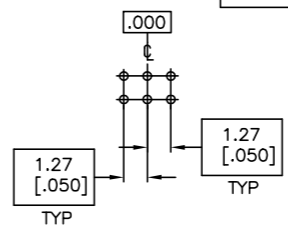
RECOMMENDED BOARD LAYOUT
SCALE 5:1

BASIC DIMENSIONS FOR ODD NO OF SPACES (SEE TABLE)



DETAIL R

BASIC DIMENSIONS FOR EVEN NO OF SPACES (SEE TABLE)



SUPERCEDED

THIS DRAWING IS A CONTROLLED DOCUMENT. DWG: J.HERRINGTON 18-6-93
CHK: P.SREMCICH 24-6-93
APPV: D.DUPLER 24-6-93

TE Connectivity

ASSEMBLY, HEADER, RIGHT ANGLE, DOUBLE ROW, AMPMODU 50/50 GRID CONNECTOR

114-7010

00779-104894

CUSTOMER DRAWING

SCALE 5:1 SHEET 1 OF 1 REV J5

X-ON Electronics

Largest Supplier of Electrical and Electronic Components

Click to view similar products for [Headers & Wire Housings](#) category:

Click to view products by [TE Connectivity](#) manufacturer:

Other Similar products are found below :

[892-18-020-10-001101](#) [58102-G61-06LF](#) [582553-1](#) [0009485154](#) [009176003701906](#) [0050291907](#) [LY20-4P-DT1-P1E-BR](#) [02.125.8002.8](#)
[609-3404](#) [61062-3](#) [61082-181009](#) [622-3653LF](#) [63453-116](#) [636-1030](#) [636-1427](#) [636-3427](#) [636-4007](#) [641938-9](#) [641991-4](#) [644827-2](#) [65817-](#)
[010LF](#) [65817-015LF](#) [65863-015LF](#) [66207-023LF](#) [67095-007LF](#) [67601157](#) [68645-018](#) [68648-049](#) [70.362.1628.0](#) [70-4210](#) [70-4226B](#) [70-](#)
[4853B](#) [707-5020](#) [707-5028](#) [71.350.2428.0](#) [71918-208LF](#) [71961-016LF](#) [733-134](#) [733-162](#) [754199-000](#) [760-3052](#) [787-8014-00](#) [79531-3000](#)
[FCN-360C032-B](#) [FCN-367T-T012/H](#) [FCN-723D010/2](#) [80.063.4001.1](#) [800-90-001-10-001000](#) [800-90-010-10-002000](#) [801-43-002-10-013000](#)