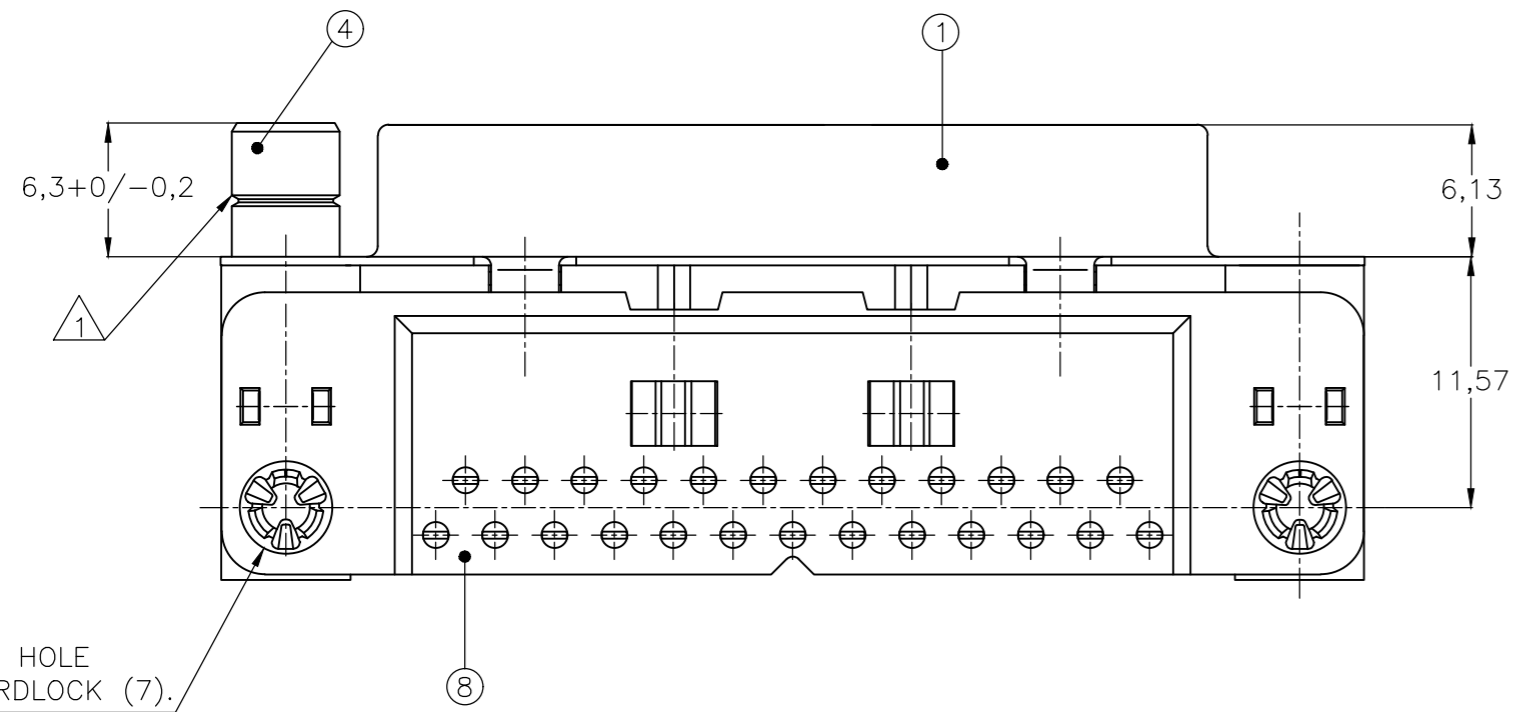
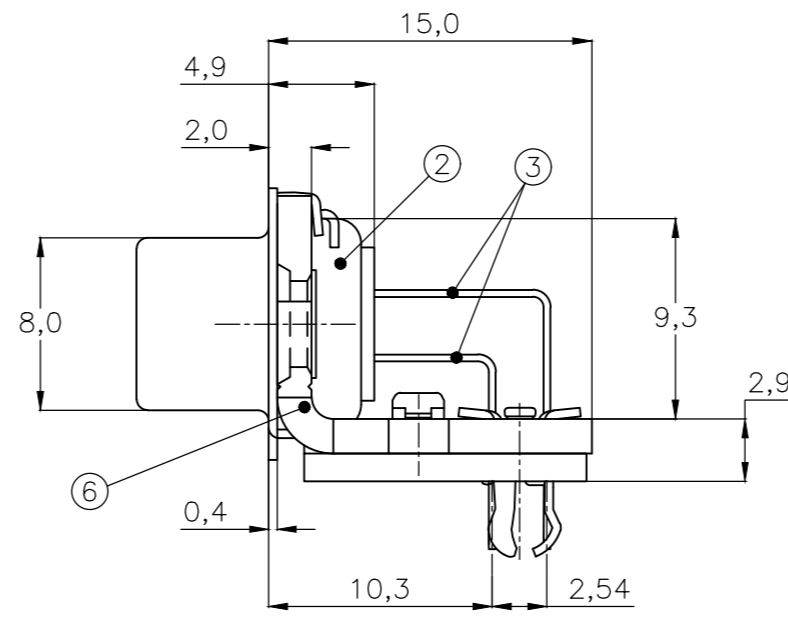
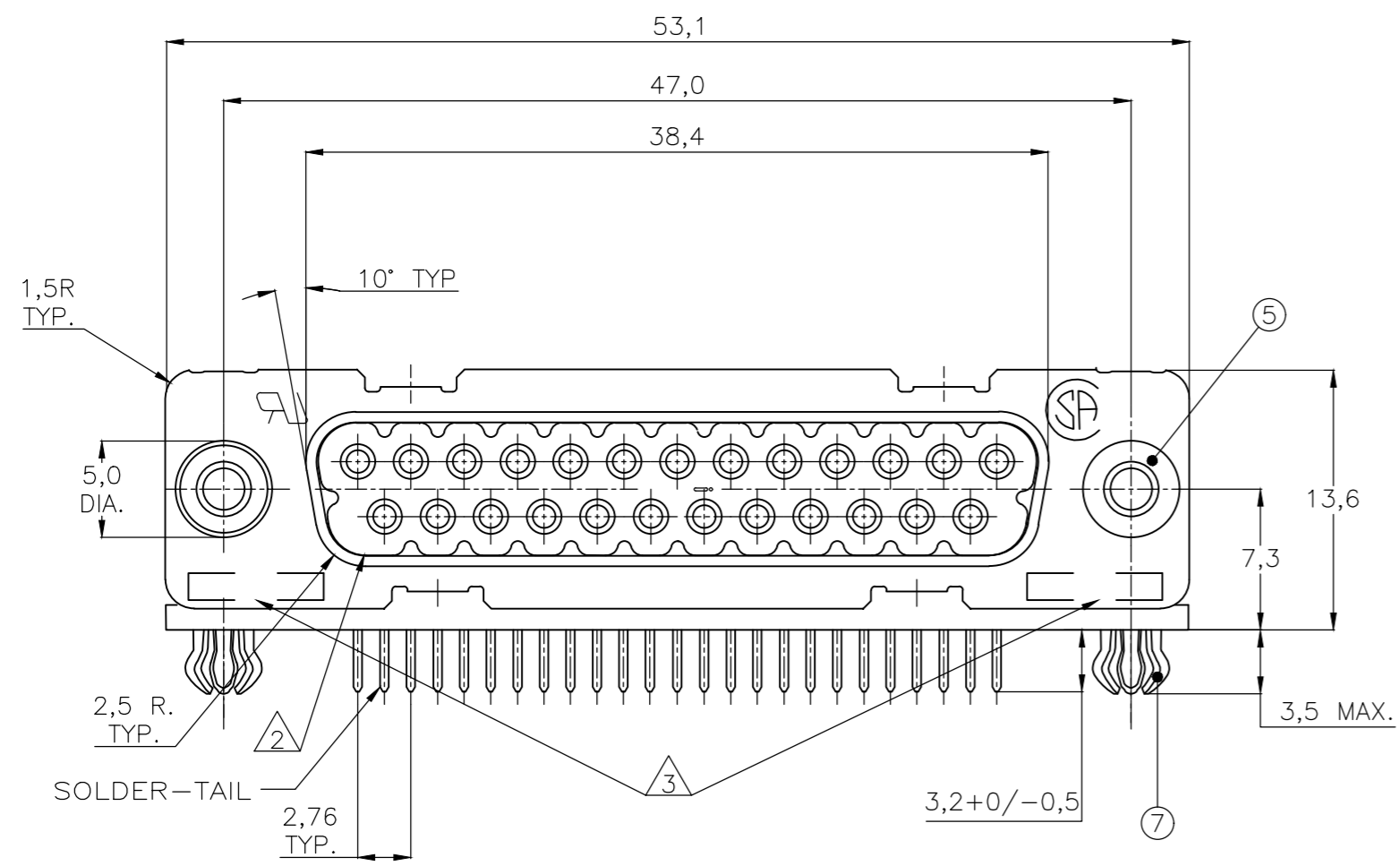
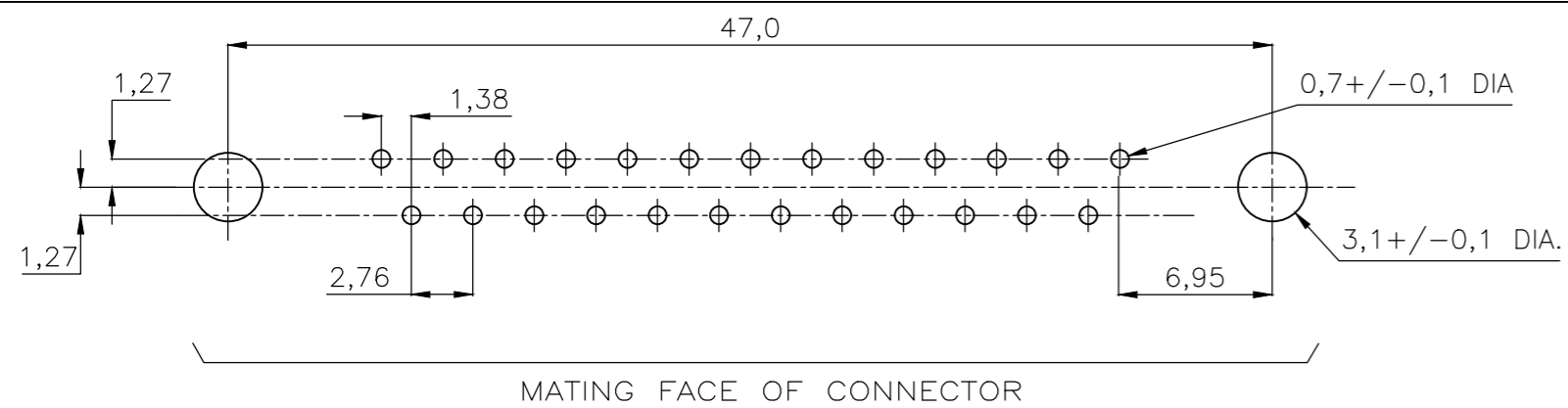


THIS DRAWING IS UNPUBLISHED. RELEASED FOR PUBLICATION
 © COPYRIGHT - By - ALL RIGHTS RESERVED.

LOC	DIST	REVISIONS			
P	LTR	DESCRIPTION	DATE	DWN	APVD
GP	00				
		REVISED PER ECO-19-002381	06MAR2019	AP	DG



RECOMMENDED P.C. BOARD HOLE-LAYOUT



ACCESSORIES	ITEM NO.	DESCRIPTION OF ACCESSORY	REVISIONS											
			1	2	3	4	5	6	7	8	9			
	5	BUSHING WITH THROUGH-HOLE 3,1 DIA.												
	5	BUSHING WITH INNER THREAD 4-40 UNC		2										
	5	BUSHING WITH INNER THREAD M3			2									
	4	FEMALE SCREWLOCK WITH 4-40 UNC				2								
	4	FEMALE SCREWLOCK WITH M3					2							
	7	BOARDLOCK	2	2	2	2	2							

106507-2														
1-106507-2														
2-106507-2														
3-106507-2														
4-106507-2														
5-106507-2														
6-106507-2														
7-106507-2														
8-106507-2														
9-106507-2														

- ① GROOVE INDICATES VERSION WITH 4-40 UNC INNER THREAD; WITHOUT GROOVE INDICATES VERSION WITH M3 INNER THREAD.
- ② CAVITY IDENTIFICATION AT FRONT SIDE ONLY.
- ③ PART NUMBER AND DATE CODE.
- 4. AIR AND CREEPAGE DISTANCES ACCORDING TO DIN 41652.
- 5. CONTACT FINISH: GOLD FLASH OVER PALLADIUM-NICKEL PLATE OR GOLD PLATE ON THE MATING SURFACES, TIN PLATE ON THE SOLDER-TAILS, NICKEL UNDERPLATE ON THE ENTIRE CONTACT. MATING SURFACE MEETS PERFORMANCE LEVEL 2 PER DIN 41652.

- ITEM NO./MATERIAL :
- ① SHELL : BRIGHT TIN PLATED STEEL
 - ② HOUSING : GLASS FILLED POLYESTER, COLOR : BLACK
 - ③ CONTACTS : PHOSPHOR BRONZE (PLATING : SEE NOTES ABOVE)
 - ④ FEMALE SCREWLOCK : TIN PLATED STEEL (INNER THREAD 4-40 UNC OR M3)
 - ⑤ BUSHING : TIN PLATED STEEL (INNER THREAD 4-40 UNC OR M3 OR 3,1 DIA THROUGH-HOLE)
 - ⑥ BRACKET : TIN PLATED STEEL
 - ⑦ BOARDLOCK : TIN PLATED PHOSPHOR BRONZE
 - ⑧ POST ALIGNMENT PLATE : GLASS FILLED NYLON. COLOR : BLACK

THIS DRAWING IS A CONTROLLED DOCUMENT. DIMENSIONING AND TOLERANCING PER ASME Y14.5M-2009		DWN D. KESSLER 14JAN99	TE Connectivity	
DIMENSIONS: mm		CHK W. SOOMERS	NAME	
TOLERANCES UNLESS OTHERWISE SPECIFIED:		APVD	PRODUCT SPEC	
0 PLC ± -			APPLICATION SPEC	
1 PLC ± 0,3			WEIGHT	
2 PLC ± 0,15			CUSTOMER DRAWING	
3 PLC ± -			SCALE NTS	
4 PLC ± -			SHEET 1 of 1	
ANGLES ± 2°			REV N	
FINISH		SIZE A2		RESTRICTED TO
		CAGE CODE 00779		
		DRAWING NO. C=106507		

X-ON Electronics

Largest Supplier of Electrical and Electronic Components

Click to view similar products for [D-Sub Standard Connectors](#) category:

Click to view products by [TE Connectivity](#) manufacturer:

Other Similar products are found below :

[56F711-015](#) [012-9507-004](#) [LV242999-142T12](#) [015-0341-000](#) [015-0349-000](#) [015-0372-005](#) [015-0372-008](#) [015-8755-001](#) [020419-0104](#) [012-0467-000](#) [012-0515-000](#) [012-9507-034](#) [012-9507-114](#) [020745-0008](#) [609-25P](#) [M24308/2-23Z](#) [CT2-14S-2PCA34](#) [CT2-18-11PCAU](#) [CT2-36-15SC](#) [CT6-14S-2SC](#) [CT6E14SA7SC](#) [CT6E22-14PC](#) [CT6E22-14PS](#) [CT6E22-22PS](#) [M83513/01-FC](#) [M85049/48-3-2F](#) [6STD09PCM99B70X](#) [6STD09SCM99B30X](#) [6STD09SCT99S40X](#) [6STD15PCT99S40X](#) [6STD15SCM99B30X](#) [6STD15SCT99S40X](#) [6STF09PCM05B70X](#) [7-135760-9](#) [MC11E-10-6SN](#) [747552-3](#) [MD1-21PS](#) [MDM-15SCBRM7-F222](#) [MDM96517-699](#) [MDM96521-744](#) [MDVB1-21SL1](#) [MIK0-1-7SH003](#) [MIKQ6-7SH076](#) [MIKQ7-7PH077](#) [MIKQ7-7PH11](#) [MIKQ7-7PH32](#) [MIKQ9-7PH003](#) [MJSV-28SL61](#) [MKJ4A1F14-55S](#) [8-135760-3](#)