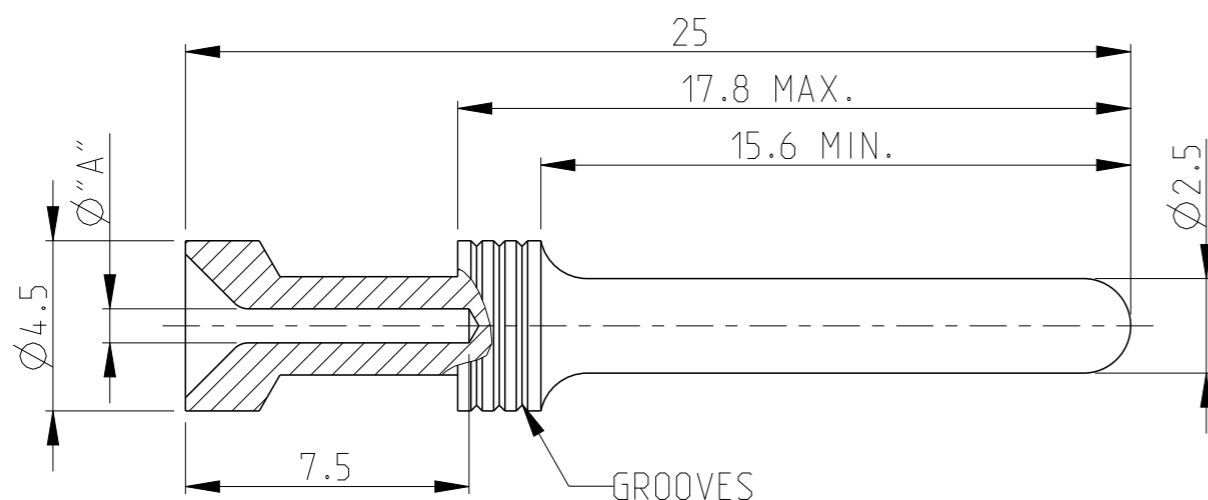


LOC
A1

DIST
-

REVISIONS

P	LTR	DESCRIPTION	DATE	DWN	APVD
	J4	ECO-11-005294	27APR11	RK	HMR
	J5	ECR-15-003938	26MAR2015	RK	MKO
	J6	ECR-16-016696	15SEP2017	GA	MKO
	J7	ECR-16-016780	15NOV2017	GR	MKO



Notes

- 1 MATERIAL: BRASS
- 2 FINISH SILVER PLATING: 2 µm Ag MIN. OVER Cu
- 3 FINISH GOLD PLATING: 0.75 µm Au MIN. OVER Ni
- 4 FINISH TIN PLATING: 0.6 µm Sn MIN. OVER Cu
- 5 VENTILATION HOLE PRESENT ON ALL PARTS
- 6 WEIGHT: 1.35 g, PER PIECE (APPROX.)
- 7 PACKAGING: 50 PIECES IN POLYBAG
- 8 PACKAGING: 500 PIECES IN POLYBAG & CARTON
- 9 PACKAGING: 5000 PIECES IN POLYBAG & CARTON
- 10 PACKAGING: 20000 PIECES IN POLYBAGS & CARTONS
- 11 SUITABLE SOCKET CONTACT: CUSTOMER DRAWING 1105101
- 12 SUITABLE INSERTS: SERIES HA, HE, HVE, HVS, CUSTOMER DRAWING
- 13 SUITABLE CRIMP TOOL: PN 1-1105851-8
- 14 SUITABLE INSERTION TOOL: PN 0-1102855-6
- 15 SUITABLE EXTRACTION TOOL: PN 0-1102855-7
- 16 STANDARDS: DIN EN 61984, DIN EN 60664-1

17 OBSOLETE

HE/HA-C-Sti.Sn	Cross Section	TIN	4.0	2.8	-	-	5-0	-	5-3
HE/HA-C-Sti.Sn 4,0mm ²			4.0	2.8	-	-	5-0	-	5-3
HE/HA-C-Sti.Sn 2,5mm ²			2.5	2.2	3	-	4-0	-	4-3
HE/HA-C-Sti.Sn 1,5mm ²			1.5	1.7	2	-	3-0	-	3-3
HE/HA-C-Sti.Au 4,0mm ²			4.0	2.8	-	5-2	5-9	-	-
HE/HA-C-Sti.Au 2,5mm ²			2.5	2.2	3	4-2	4-9	-	-
HE/HA-C-Sti.Au 1,5mm ²			1.5	1.7	2	3-2	3-9	-	-
HE/HA-C-Sti.Au 0,75-1,0mm ²			0.75-1.0	1.4	1	2-2	2-9	-	-
HE/HA-C-Sti.Au 0,5mm ²			0.5	1.1	-	1-2	1-9	-	-
HE/HA-C-Sti.Au 0,14-0,37mm ²			0.14-0.37	0.9	3	6-2	6-9	-	-
HE/HA-C-Sti.Ag 4,0mm ²			4.0	2.8	-	5-1	5-8	-	-
HE/HA-C-Sti.Ag 2,5mm ²			2.5	2.2	3	4-1	4-8	7-1	-
HE/HA-C-Sti.Ag 1,5mm ²			1.5	1.7	2	3-1	3-8	-	-
HE/HA-C-Sti.Ag 0,75-1,0mm ²			0.75-1.0	1.4	1	2-1	2-8	-	-
HE/HA-C-Sti.Ag 0,5mm ²			0.5	1.1	-	1-1	1-8	-	-
HE/HA-C-Sti.Ag 0,14-0,37mm ²			0.14-0.37	0.9	3	6-1	6-8	-	-
			[MM ²]	"A"	NO.OF GROOVES	P.U.=50	P.U.=500	P.U.=5000	P.U.=20000
ORDERING TEXT	PLATING	CROSS SECTION	DIMS	MARKINGS	PACKAGING UNIT				
					BAG				BOX
					BOX				BOX
					BOX				BOX

PARTS LIST

THIS DRAWING IS A CONTROLLED DOCUMENT.		DWN H.BRAUN 21Apr2010	TE Connectivity	
DIMENSIONS: mm		CHK -		
TOLERANCES UNLESS OTHERWISE SPECIFIED:		APVD T.SCHNURPFEL 29AUG2007	NAME PIN CONTACT SERIES HA, HE, HVE	
		PRODUCT SPEC 108-74004	RESTRICTED TO	
MATERIAL		APPLICATION SPEC 114-74003	SIZE A3	CAGE CODE 00779
FINISH		WEIGHT -	DRAWING NO C=1105100	
		Customer Drawing	SCALE 5:1	SHEET 1 OF 1
				REV J7

X-ON Electronics

Largest Supplier of Electrical and Electronic Components

Click to view similar products for [Heavy Duty Power Connectors](#) category:

Click to view products by [TE Connectivity](#) manufacturer:

Other Similar products are found below :

[647757-1](#) [6643411-1](#) [6646058-2](#) [6646137-1](#) [6646138-1](#) [6646479-1](#) [6646608-1](#) [6646786-1](#) [6646940-1](#) [6651091-1](#) [6651525-1](#) [6651529-1](#)
[6651788-1](#) [696475-1](#) [702-32-01109](#) [703-25-02205](#) [73000005059](#) [73000005642](#) [73080255059](#) [73080965046](#) [765-15-0080A](#) [765-16-0080B](#)
[765-18-0080D](#) [829992-1](#) [902-77-02113](#) [PS00/A0620/6300](#) [PS25/A0420/63](#) [129-1J](#) [1409400](#) [AN0024023](#) [E6374G1](#) [e6389g2](#) [157-43GW8](#)
[MS3117-14AC](#) [1643543-1](#) [1650540-1](#) [1651811-2](#) [1766260-1](#) [1766282-1](#) [1766966-1](#) [1791340000](#) [NLDFT-3-BL-L-S120-M40A](#) [NLDFT-N-](#)
[W-L-C240-M40B](#) [NLS-2-R-C240-M40B](#) [NLS-N-W-C240-M40B](#) [NPS-3-BL-T6](#) [1986615-1](#) [2-1589900-8](#) [2199314-1](#) [KA8102](#)