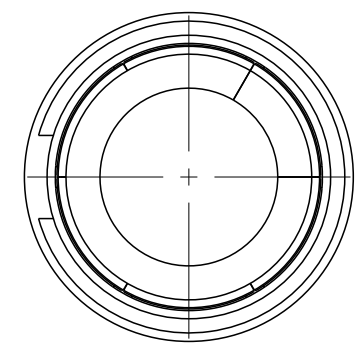


THIS DRAWING IS UNPUBLISHED. RELEASED FOR PUBLICATION 2006
 © COPYRIGHT 2006 ALL RIGHTS RESERVED.

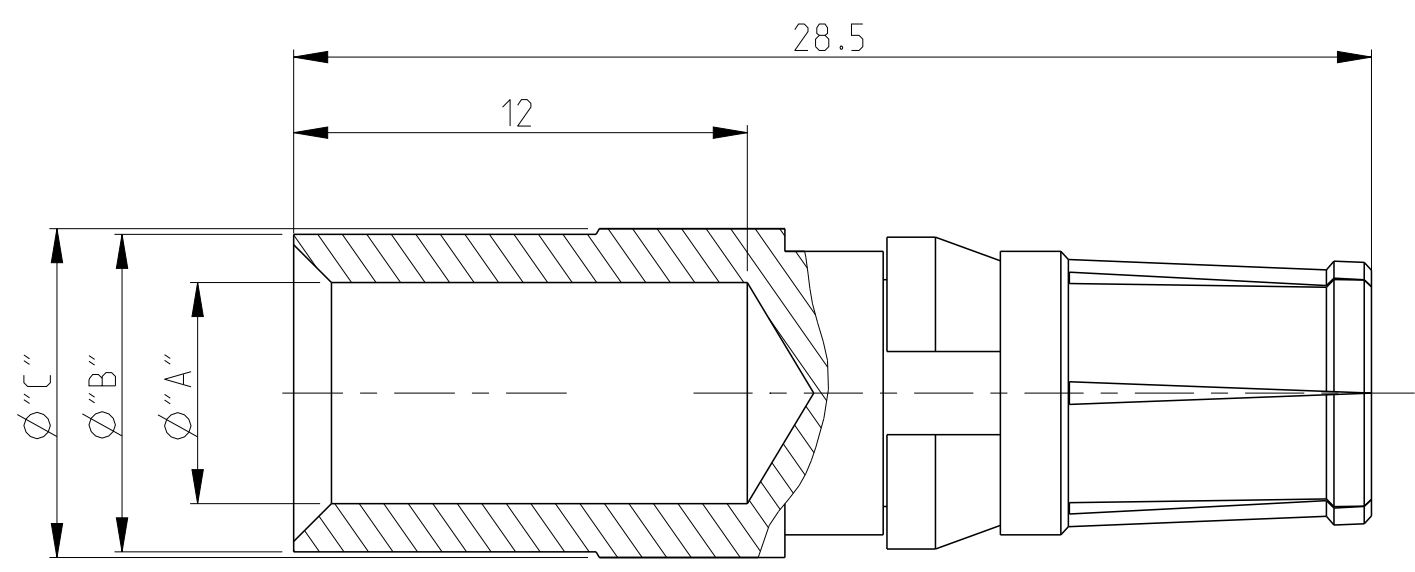
LOC	DIST	REVISIONS					
		P	LTR	DESCRIPTION	DATE	DWN	APVD
B1	-	C4		ECR-11-021594	11NOV2011	RK	MKO
		C5		ECR-14-007793	25AUG2014	RK	MKO
		C6		REVISED PER ECR-16-016780	19AUG2017	NG	MKO
		C7		REVISED PER ECR-19-008419	04JUN2019	SR	MKO

Notes

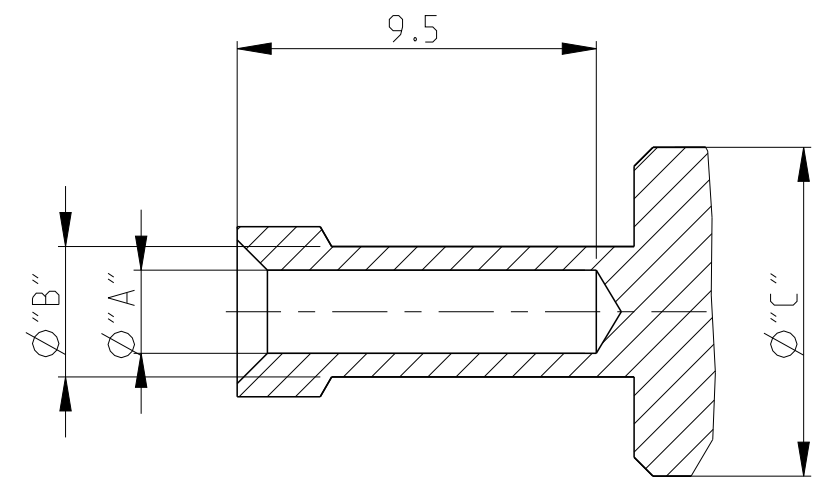
- 1 MATERIAL: BRASS
- 2 FINISH SILVER PLATING: 2 μm Ag MIN. OVER Cu
- 3 FINISH GOLD PLATING: 0.75 μm Au MIN. OVER Ni
- 4 WEIGHT (MAX.): 7.1 g, VOLUME (MAX.): 795mm² (APPROX.)
- 5 SUITABLE PIN CONTACT: CUSTOMER DRAWING 1105150
- 6 SUITABLE INSERTS: SERIES HSS, CUSTOMER DRAWING
- 7 SUITABLE CRIMP TOOL: PN 1-1105850-8
- 8 SUITABLE INSERTION TOOL: -
- 9 SUITABLE EXTRACTION TOOL: PN 0-1102855-5
- 10 FINE WIRE DIA. MAX. Ø4.5
- 11 STANDARDS: DIN EN 61984, DIN EN 60664-1
- 12 PACKAGING: 25 PIECES IN A POLY-BAG
- 13 PACKAGING: 1 PIECE LOOSE



WIRE CROSS-SECTION:
 Ø6mm² - 16mm²



WIRE CROSS-SECTION:
 Ø2.5mm² / 4mm²



OBsolete	Material	Plating	CS	12	13	14	15	16	17	18	19	20
	HSS-C-Bu.Au.16.0 mm ²	GOLD	16.0	5.85	8.4	8.7	12	5-2	9-3			
	HSS-C-Bu.Au.10.0 mm ²		10.0	4.35	5.9	8.7	12	4-2	9-2			
	HSS-C-Bu.Au.6.0 mm ²		6.0	3.5	4.9	8.7	12	3-2	9-1			
	HSS-C-Bu.Ag.25.0 mm ²	SILVER	25.0	7.0	9.45	9.6	12	6-1	8-7			
	HSS-C-Bu.Ag.16.0 mm ²		16.0	5.85	8.4	8.7	12	5-1	8-6			
10	HSS-C-Bu.Ag.10.0 mm ² -fine		10.0	4.6	5.9	8.7	12	4-3	8-5			
	HSS-C-Bu.Ag.10.0 mm ²		10.0	4.35	5.9	8.7	12	4-1	8-4			
	HSS-C-Bu.Ag.6.0 mm ²		6.0	3.5	4.9	8.7	12	3-1	8-3			
	HSS-C-Bu.Ag.4.0 mm ²		4.0	2.8	3.9	8.7	12	2-1	8-2			
	HSS-C-Bu.Ag.2.5 mm ²		2.5	2.2	3.45	8.7	12	1-1	8-1			
				[MM ²]	"A"	"B"	"C"	[MM]	PN	PN		
	ORDERING TEXT	PLATING	CROSS SECTION	DIMENSIONS			STRIPPING-LENGTH	WITH CLIP				

PARTS LIST

THIS DRAWING IS A CONTROLLED DOCUMENT.

DWN: K. SCHROEDER 10APR2008
 CHK: H. BRAUN 10APR2008
 APVD: T. SCHNURPFEL 10APR2008

STE TE Connectivity

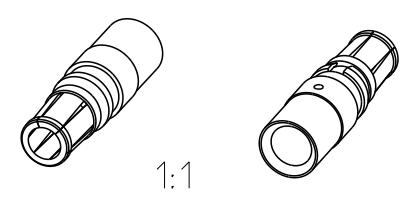
NAME: SOCKET CONTACT SERIES HSS

PRODUCT SPEC: 108-74016
 APPLICATION SPEC: 114-74028

SIZE: A2 CAGE CODE: 00779 DRAWING NO: 1105151 RESTRICTED TO: -

WEIGHT: - SCALE: 5:1 SHEET 1 OF 1 REV: C7

Customer Drawing



X-ON Electronics

Largest Supplier of Electrical and Electronic Components

Click to view similar products for [Heavy Duty Power Connectors](#) category:

Click to view products by [TE Connectivity](#) manufacturer:

Other Similar products are found below :

[1424439](#) [1424438](#) [09330062652](#) [2-8675P1](#) [580129-2](#) [605601-1](#) [6340G1](#) [6341G1](#) [6360G1](#) [6373G1](#) [6374g2](#) [6396G1](#) [647757-1](#) [66394-4](#)
[6643411-1](#) [6646058-2](#) [6646137-1](#) [6646138-1](#) [6646348-1](#) [6646479-1](#) [6646608-1](#) [6646786-1](#) [6646940-1](#) [6651091-1](#) [6651525-1](#) [6651529-1](#)
[6651778-1](#) [6651788-1](#) [696465-1](#) [696475-1](#) [73000005059](#) [73000005349](#) [73000005642](#) [73080255059](#) [73080965046](#) [765-15-0080A](#)
[765-16-0080B](#) [789.700-44](#) [789.700-54](#) [80-1010](#) [80-9](#) [827381-1](#) [829992-1](#) [902-77-02113](#) [PL00U-301-10D10](#) [PM103MOOLOO](#)
[PM16S1620S32-50](#) [PM212MOOLOO](#) [PM309FOOLOO](#) [PM324FOOLCH](#)