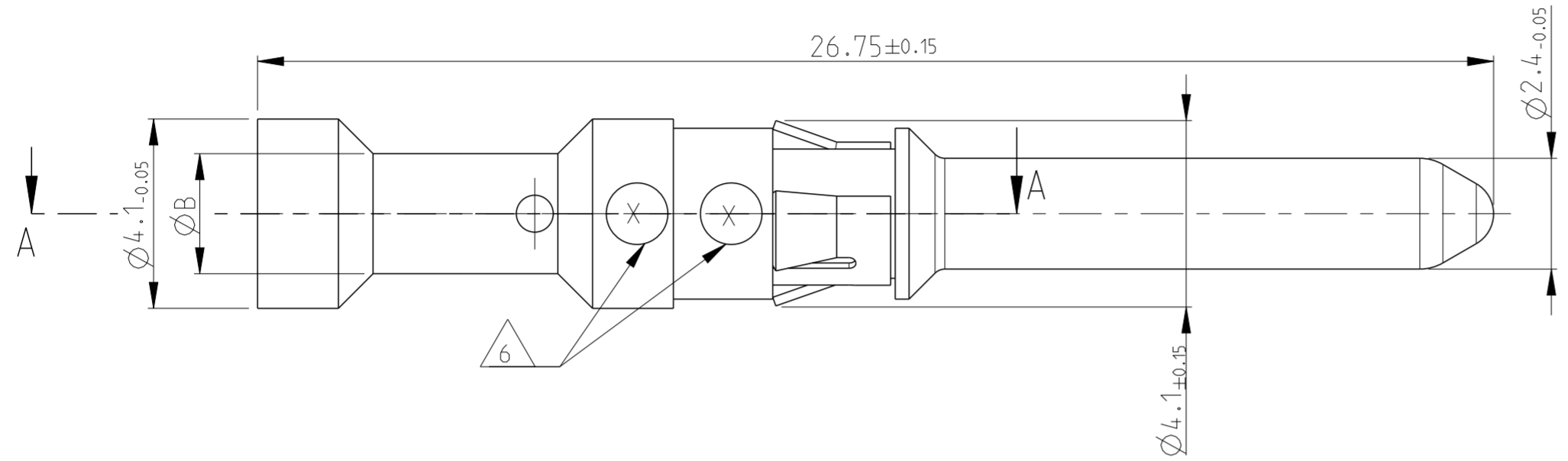
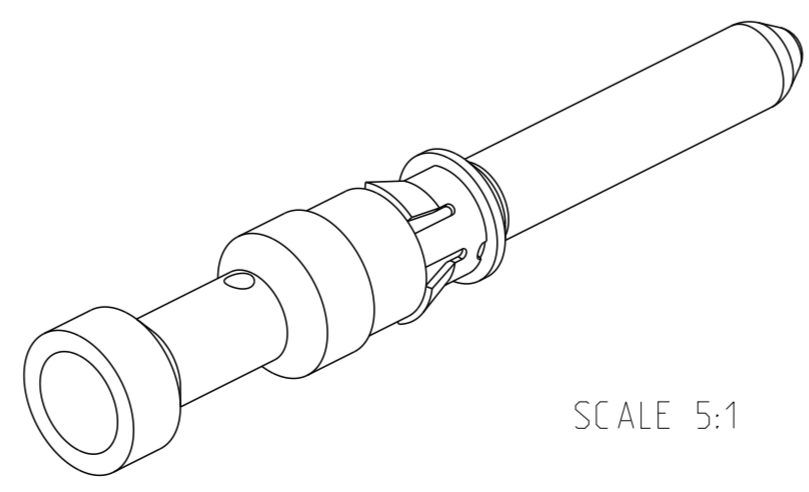
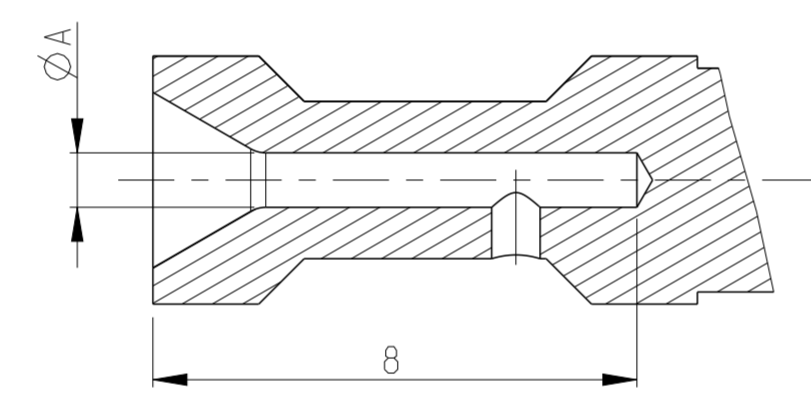


THIS DRAWING IS UNPUBLISHED. RELEASED FOR PUBLICATION 2006  
 © COPYRIGHT 2006 BY - ALL RIGHTS RESERVED.

LOC		DIST		REVISIONS			
P	LTR	DESCRIPTION	DATE	DWN	APVD		
A1	-	H2	REVISED PER ECO-11-005030	24MAR2011	RK	HMR	
		H3	ECR-16-016696	14SEP2017	GA	MKO	



SECTION A-A



NOTES:

- 1 MATERIAL SEE TABLE
- 2 SURFACE SEE TABLE
- 3 ASSEMBLY WEIGHT SEE TABLE
- 4 PACKAGING: 50 PIECES IN POLYBAG
- 5 PACKAGING: 500 PIECES IN POLYBAG & CARTON
- 6 CROSS-SECTION MARKING
- 7 NO VENTILATION HOLE REQUIRED AT CROSS SECTION >4 mm<sup>2</sup>
- 8 SUITABLE SOCKET CONTACT: PN 1105301
- 9 SUITABLE INSERTS: SERIES HVT
- 10 SUITABLE CRIMP TOOL: PN 1-1105851-8
- 11 SUITABLE INSERTION TOOL: PN 0-1102855-6
- 12 SUITABLE EXTRACTION TOOL: PN 0-1102855-3
- 13 STANDARDS: DIN EN 61984, DIN EN 60664-1
- 14 OBSOLETE

														ASSEMBLY WEIGHT IN (Kg) 3							
														GOLD PLATING		SILVER PLATING					
														2.85	3.9	6					
0.00142	0.00144	0.00148	0.00145	0.00149	0.00150	0.00144	0.00148	0.00133	0.00142	0.00144	0.00148	0.00145	0.00149	0.00150	Pin Contact 4.0 mm <sup>2</sup>	CuZn39Pb3 F43	GOLD PLATING	2.2	3.2	5	1
1	1	1	1	1	1	1	1	1	1	1	1	1	1	Pin Contact 2.5 mm <sup>2</sup>	1.8			3.0	4		
														Pin Contact 1.5 mm <sup>2</sup>	1.45			2.6	3		
														Pin Contact 0.75-1.0 mm <sup>2</sup>	0.9			2.6	2		
														Pin Contact 0.5 mm <sup>2</sup>	0.9			2.6	1		
														Pin Contact 0.13-0.4 mm <sup>2</sup>	2.0			3.2	8		
														Pin Contact 14 AWG	2.55			3.6	9		
														Pin Contact 12 AWG	3.2			4.1	7		
														Pin Contact 10 AWG	2.85			3.9	6		
														Pin Contact 4.0 mm <sup>2</sup>	2.2			3.2	5		
														Pin Contact 2.5 mm <sup>2</sup>	1.8			3.0	4		
														Pin Contact 1.5 mm <sup>2</sup>	1.45			2.6	3		
														Pin Contact 0.75-1.0 mm <sup>2</sup>	1.1			2.6	2		
														Pin Contact 0.5 mm <sup>2</sup>	0.9			2.6	1		
														Pin Contact 0.13-0.4 mm <sup>2</sup>							

4	5-2	4-2	3-2	2-2	1-2	6-2	14	9-1	7-2	5-1	4-1	3-1	2-1	1-1	6-1	DESCRIPTION	MATERIAL	SURFACE	ØA	ØB	CROSS SECTION MARKING	ITEM NO
5	5-9	4-9	3-9	2-9	1-9	6-9	8-8	9-8	7-8	5-8	4-8	3-8	2-8	1-8	6-8							
	HVT-C-Stri.Au.4.0 mm <sup>2</sup>	HVT-C-Stri.Au.2.5 mm <sup>2</sup>	HVT-C-Stri.Au.1.5 mm <sup>2</sup>	HVT-C-Stri.Au.0.75-1.0 mm <sup>2</sup>	HVT-C-Stri.Au.0.5 mm <sup>2</sup>	HVT-C-Stri.Au.0.13-0.4 mm <sup>2</sup>	HVT-C-Stri.Ag-AWG.14	HVT-C-Stri.Ag-AWG.12	HVT-C-Stri.Ag-AWG.10	HVT-C-Stri.Ag-AWG.4.0 mm <sup>2</sup>	HVT-C-Stri.Ag.2.5 mm <sup>2</sup>	HVT-C-Stri.Ag.1.5 mm <sup>2</sup>	HVT-C-Stri.Ag.0.75-1.0 mm <sup>2</sup>	HVT-C-Stri.Ag.0.5 mm <sup>2</sup>	HVT-C-Stri.Ag.0.13-0.4 mm <sup>2</sup>							

THIS DRAWING IS A CONTROLLED DOCUMENT.

DIMENSIONS: mm

TOLERANCES UNLESS OTHERWISE SPECIFIED:  
 0 PLC  
 1 PLC  
 2 PLC  
 3 PLC  
 4 PLC  
 ANGLES  
 FINISH

OTHERWISE SPECIFIED:  
 ISO 9015  
 DIN 9137  
 DIN 9138  
 DIN 9139  
 DIN 9140  
 DIN 9141  
 DIN 9142  
 DIN 9143  
 DIN 9144  
 DIN 9145  
 DIN 9146  
 DIN 9147  
 DIN 9148  
 DIN 9149  
 DIN 9150

APVD: T. SCHNURPFELT  
 PRODUCT SPEC: 108-74035  
 APPLICATION SPEC: 114-74013

NAME: CLIP  
 SIZE: A2  
 CAGE CODE: 00779  
 DRAWING NO: C-1105300  
 RESTRICTED TO: -

CUSTOMER DRAWING  
 SCALE: 5:1  
 SHEET: 1 OF 1  
 REV: H3

## X-ON Electronics

Largest Supplier of Electrical and Electronic Components

*Click to view similar products for [Heavy Duty Power Connectors](#) category:*

*Click to view products by [TE Connectivity](#) manufacturer:*

Other Similar products are found below :

[647757-1](#) [6643411-1](#) [6646058-2](#) [6646137-1](#) [6646138-1](#) [6646479-1](#) [6646608-1](#) [6646786-1](#) [6646940-1](#) [6651091-1](#) [6651525-1](#) [6651529-1](#)  
[6651788-1](#) [696475-1](#) [702-32-01109](#) [703-25-02205](#) [73000005059](#) [73000005642](#) [73080255059](#) [73080965046](#) [765-15-0080A](#) [765-16-0080B](#)  
[765-18-0080D](#) [829992-1](#) [902-77-02113](#) [PS00/A0620/6300](#) [PS25/A0420/63](#) [129-1J](#) [1409400](#) [AN0024023](#) [E6374G1](#) [e6389g2](#) [157-43GW8](#)  
[MS3117-14AC](#) [1643543-1](#) [1650540-1](#) [1651811-2](#) [1766260-1](#) [1766282-1](#) [1766966-1](#) [1791340000](#) [NLDFT-3-BL-L-S120-M40A](#) [NLDFT-N-](#)  
[W-L-C240-M40B](#) [NLS-2-R-C240-M40B](#) [NLS-N-W-C240-M40B](#) [NPS-3-BL-T6](#) [1986615-1](#) [2-1589900-8](#) [2199314-1](#) [KA8102](#)