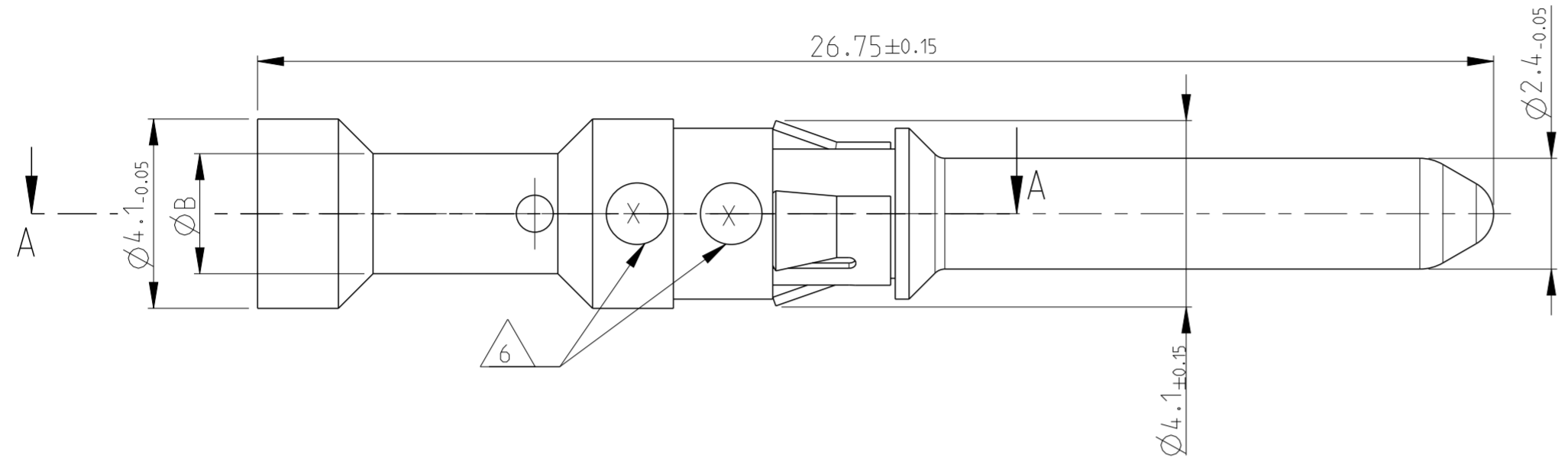
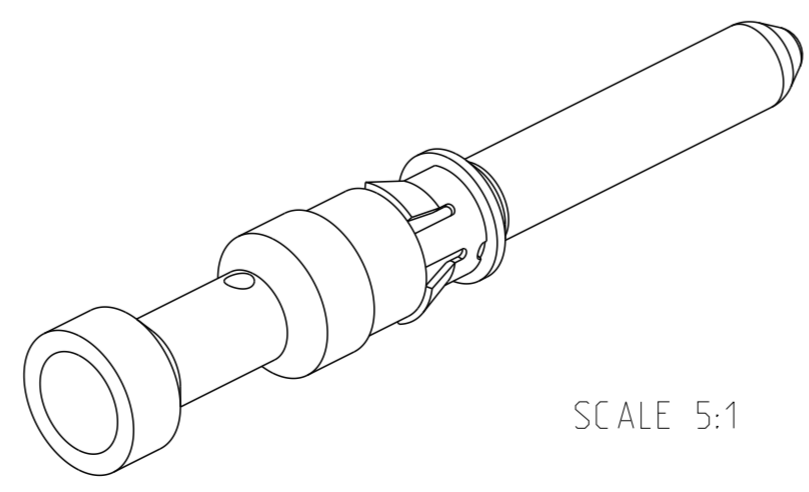
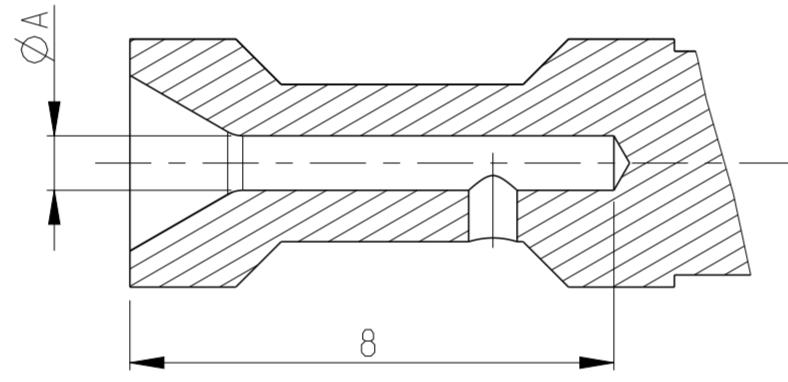


THIS DRAWING IS UNPUBLISHED. RELEASED FOR PUBLICATION 2006  
 © COPYRIGHT 2006 BY - ALL RIGHTS RESERVED.

LOC		DIST		REVISIONS			
P	LTR	DESCRIPTION	DATE	DWN	APVD		
A1	-	H2	REVISED PER ECO-11-005030	24MAR2011	RK	HMR	
		H3	ECR-16-016696	14SEP2017	GA	MKO	



SECTION A-A



NOTES:

- 1 MATERIAL SEE TABLE
- 2 SURFACE SEE TABLE
- 3 ASSEMBLY WEIGHT SEE TABLE
- 4 PACKAGING: 50 PIECES IN POLYBAG
- 5 PACKAGING: 500 PIECES IN POLYBAG & CARTON
- 6 CROSS-SECTION MARKING
- 7 NO VENTILATION HOLE REQUIRED AT CROSS SECTION >4 mm<sup>2</sup>
- 8 SUITABLE SOCKET CONTACT: PN 1105301
- 9 SUITABLE INSERTS: SERIES HVT
- 10 SUITABLE CRIMP TOOL: PN 1-1105851-8
- 11 SUITABLE INSERTION TOOL: PN 0-1102855-6
- 12 SUITABLE EXTRACTION TOOL: PN 0-1102855-3
- 13 STANDARDS: DIN EN 61984, DIN EN 60664-1
- 14 OBSOLETE

														ASSEMBLY WEIGHT IN (Kg) 3							
														GOLD PLATING		SILVER PLATING					
														2.85	3.9	6					
0.00142	0.00144	0.00148	0.00145	0.00149	0.00150	0.00144	0.00148	0.00133	0.00142	0.00144	0.00148	0.00145	0.00149	0.00150	Pin Contact 4.0 mm <sup>2</sup>	CuZn39Pb3 F43	GOLD PLATING	2.2	3.2	5	1
1	1	1	1	1	1	1	1	1	1	1	1	1	1	Pin Contact 2.5 mm <sup>2</sup>	1.8			3.0	4		
														Pin Contact 1.5 mm <sup>2</sup>	1.45			2.6	3		
														Pin Contact 0.75-1.0 mm <sup>2</sup>	0.9			2.6	1		
														Pin Contact 0.5 mm <sup>2</sup>	2.0			3.2	8		
														Pin Contact 0.13-0.4 mm <sup>2</sup>	2.55			3.6	9		
														Pin Contact 14 AWG	3.2			4.1	7		
														Pin Contact 12 AWG	2.85			3.9	6		
														Pin Contact 10 AWG	2.2			3.2	5		
														Pin Contact 4.0 mm <sup>2</sup>	1.8			3.0	4		
														Pin Contact 2.5 mm <sup>2</sup>	1.45			2.6	3		
														Pin Contact 1.5 mm <sup>2</sup>	1.1			2.6	2		
														Pin Contact 0.75-1.0 mm <sup>2</sup>	0.9			2.6	1		
														Pin Contact 0.5 mm <sup>2</sup>	2.0			3.2	8		
														Pin Contact 0.13-0.4 mm <sup>2</sup>	2.55	3.6	9				

4	5-2	4-2	3-2	2-2	1-2	6-2	14	9-1	7-2	5-1	4-1	3-1	2-1	1-1	6-1	DESCRIPTION	MATERIAL	SURFACE	ØA	ØB	CROSS SECTION MARKING	ITEM NO
5	5-9	4-9	3-9	2-9	1-9	6-9	8-8	9-8	7-8	5-8	4-8	3-8	2-8	1-8	6-8							
	HVT-C-Stri.Au.4.0 mm <sup>2</sup>	HVT-C-Stri.Au.2.5 mm <sup>2</sup>	HVT-C-Stri.Au.1.5 mm <sup>2</sup>	HVT-C-Stri.Au.0.75-1.0 mm <sup>2</sup>	HVT-C-Stri.Au.0.5 mm <sup>2</sup>	HVT-C-Stri.Au.0.13-0.4 mm <sup>2</sup>	HVT-C-Stri.Ag-AWG.14	HVT-C-Stri.Ag-AWG.12	HVT-C-Stri.Ag-AWG.10	HVT-C-Stri.Ag-AWG.4.0 mm <sup>2</sup>	HVT-C-Stri.Ag.2.5 mm <sup>2</sup>	HVT-C-Stri.Ag.1.5 mm <sup>2</sup>	HVT-C-Stri.Ag.0.75-1.0 mm <sup>2</sup>	HVT-C-Stri.Ag.0.5 mm <sup>2</sup>	HVT-C-Stri.Ag.0.13-0.4 mm <sup>2</sup>	ORDERING TEXT						

THIS DRAWING IS A CONTROLLED DOCUMENT.

DWN: G.WROBLEWSKI 04 SEP.2007  
 CHK: T.SCHNURPEITL 04 SEP.2007  
 APVD: T.SCHNURPEITL 04 SEP.2007

DIMENSIONS: mm

TOLERANCES UNLESS OTHERWISE SPECIFIED:  
 0 PLC # # # # #  
 1 PLC # # # # #  
 2 PLC # # # # #  
 3 PLC # # # # #  
 4 PLC # # # # #  
 ANGLES # # # # #  
 FINISH # # # # #

PRODUCT SPEC: 108-74035  
 APPLICATION SPEC: 114-74013

NAME: CLIP  
 SIZE: A2 CAGE CODE: 00779 DRAWING NO: C-1105300 RESTRICTED TO: -  
 WEIGHT: - SCALE: 5:1 SHEET 1 OF 1 REV: H3

CUSTOMER DRAWING

## X-ON Electronics

Largest Supplier of Electrical and Electronic Components

*Click to view similar products for [Heavy Duty Power Connectors](#) category:*

*Click to view products by [TE Connectivity](#) manufacturer:*

Other Similar products are found below :

[647757-1](#) [6643411-1](#) [6646058-2](#) [6646137-1](#) [6646138-1](#) [6646479-1](#) [6646608-1](#) [6646786-1](#) [6646940-1](#) [6651091-1](#) [6651525-1](#) [6651529-1](#)  
[6651788-1](#) [696475-1](#) [702-32-01109](#) [703-25-02205](#) [73000005059](#) [73000005642](#) [73080255059](#) [73080965046](#) [765-15-0080A](#) [765-16-0080B](#)  
[765-18-0080D](#) [829992-1](#) [902-77-02113](#) [PS00/A0620/6300](#) [PS25/A0420/63](#) [129-1J](#) [1409400](#) [AN0024023](#) [E6374G1](#) [e6389g2](#) [157-43GW8](#)  
[MS3117-14AC](#) [1643543-1](#) [1650540-1](#) [1651811-2](#) [1766260-1](#) [1766282-1](#) [1766966-1](#) [1791340000](#) [NLDFT-3-BL-L-S120-M40A](#) [NLDFT-N-](#)  
[W-L-C240-M40B](#) [NLS-2-R-C240-M40B](#) [NLS-N-W-C240-M40B](#) [NPS-3-BL-T6](#) [1986615-1](#) [2-1589900-8](#) [2199314-1](#) [KA8102](#)