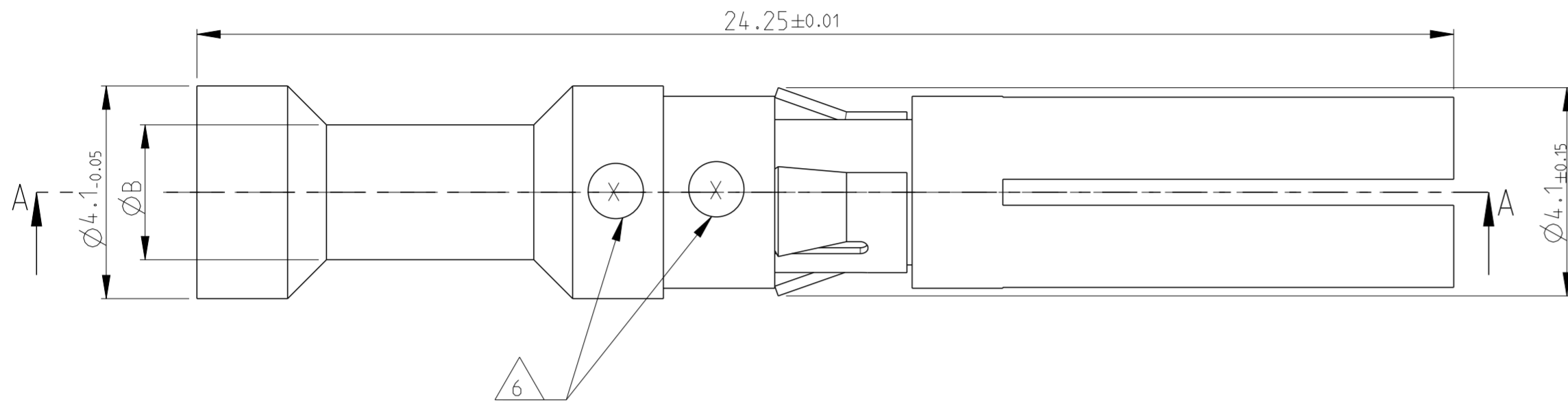


THIS DRAWING IS UNPUBLISHED. RELEASED FOR PUBLICATION  
 © COPYRIGHT - ALL RIGHTS RESERVED.

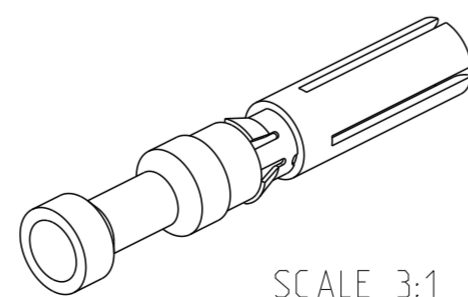
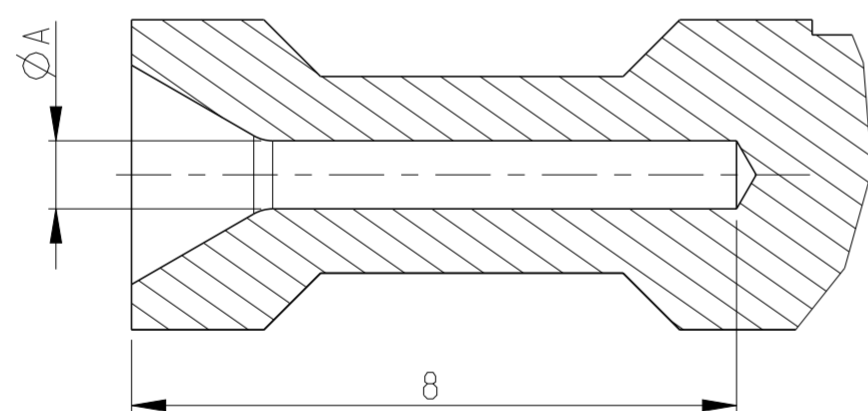
| LOC | DIST | REVISIONS |     |                           |           |     |      |
|-----|------|-----------|-----|---------------------------|-----------|-----|------|
|     |      | P         | LTR | DESCRIPTION               | DATE      | DWN | APVD |
| A1  | -    | G2        |     | REVISED PER ECO-11-005150 | 31MAR2011 | RK  | HMR  |
|     |      | G3        |     | ECR-16-016696             | 31AUG2017 | GR  | MKO  |



NOTES

- 1 MATERIAL SEE TABLE
- 2 SURFACE SEE TABLE
- 3 ASSEMBLY WEIGHT SEE TABLE
- 4 PACKAGING: 50 PIECES IN POLYBAG
- 5 PACKAGING: 500 PIECES IN POLYBAG & CARTON
- 6 CROSS-SECTION MARKING
- 7 NO VENTILATION HOLE REQUIRED AT CROSS SECTION >4.0mm<sup>2</sup>
- 8 SUITABLE PIN CONTACT: PN 1105300
- 9 SUITABLE INSERTS: SERIES HVT
- 10 SUITABLE CRIMP TOOL: PN 1-1105851-8
- 11 SUITABLE INSERTION TOOL: PN 0-1102855-6
- 12 SUITABLE EXTRACTION TOOL: PN 0-1102855-3
- 13 STANDARDS: DIN EN 61984, DIN EN 60664-1

SECTION A-A



| OBSOLETE |         |         |         |         |         |         |         |         |         |         |   |               | ASSEMBLY WEIGHT IN (Kg) 3 |                |      |     | ITEM NO |   |
|----------|---------|---------|---------|---------|---------|---------|---------|---------|---------|---------|---|---------------|---------------------------|----------------|------|-----|---------|---|
| 0.00142  | 0.00144 | 0.00148 | 0.00145 | 0.00149 | 0.00150 | 0.00144 | 0.00148 | 0.00145 | 0.00149 | 0.00150 |   |               |                           |                |      |     |         |   |
| 1        | 1       | 1       | 1       | 1       | 1       | 1       | 1       | 1       | 1       | 1       | Socket Contact 4.0 mm <sup>2</sup>      | CuZn39Pb3 F50 | GOLD PLATING              | 2.85           | 3.9  | 6   | 1       |   |
|          |         |         |         |         |         |         |         |         |         |         | Socket Contact 2.5 mm <sup>2</sup>      |               |                           | SILVER PLATING | 2.2  | 3.2 |         | 5 |
|          |         |         |         |         |         |         |         |         |         |         | Socket Contact 1.5 mm <sup>2</sup>      |               |                           |                | 1.8  | 3.0 |         | 4 |
|          |         |         |         |         |         |         |         |         |         |         | Socket Contact 0.75-1.0 mm <sup>2</sup> |               |                           |                | 1.45 | 2.6 |         | 3 |
|          |         |         |         |         |         |         |         |         |         |         | Socket Contact 0.5 mm <sup>2</sup>      |               |                           |                | 1.1  | 2.6 |         | 2 |
|          |         |         |         |         |         |         |         |         |         |         | Socket Contact 0.13-0.4 mm <sup>2</sup> |               |                           |                | 0.9  | 2.6 |         | 1 |
|          |         |         |         |         |         |         |         |         |         |         | Socket Contact 14 AWG                   |               | 2.0                       |                | 3.2  | 8   |         |   |
|          |         |         |         |         |         |         |         |         |         |         | Socket Contact 12 AWG                   |               | 2.55                      | 3.6            | 9    |     |         |   |
|          |         |         |         |         |         |         |         |         |         |         | Socket Contact 10 AWG                   |               | 3.2                       | 4.1            | 7    |     |         |   |
|          |         |         |         |         |         |         |         |         |         |         | Socket Contact 4.0 mm <sup>2</sup>      |               | 2.85                      | 3.9            | 6    |     |         |   |
|          |         |         |         |         |         |         |         |         |         |         | Socket Contact 2.5 mm <sup>2</sup>      |               | 2.2                       | 3.2            | 5    |     |         |   |
|          |         |         |         |         |         |         |         |         |         |         | Socket Contact 1.5 mm <sup>2</sup>      |               | 1.8                       | 3.0            | 4    |     |         |   |
|          |         |         |         |         |         |         |         |         |         |         | Socket Contact 0.75-1.0 mm <sup>2</sup> |               | 1.45                      | 2.6            | 3    |     |         |   |
|          |         |         |         |         |         |         |         |         |         |         | Socket Contact 0.5 mm <sup>2</sup>      |               | 1.1                       | 2.6            | 2    |     |         |   |
|          |         |         |         |         |         |         |         |         |         |         | Socket Contact 0.13-0.4 mm <sup>2</sup> | 0.9           | 2.6                       | 1              |      |     |         |   |

| 5-2                             | 4-2                             | 3-2                             | 2-2                                  | 1-2                             | 6-2                                  | 8-2                | 9-1                | 7-2                | 5-1                             | 4-1                             | 3-1                             | 2-1                                  | 1-1                             | 6-1                                  | DESCRIPTION   | MATERIAL 1 | SURFACE 2 | ØA | ØB | CROSS SECTION MARKING 6 | ITEM NO |
|---------------------------------|---------------------------------|---------------------------------|--------------------------------------|---------------------------------|--------------------------------------|--------------------|--------------------|--------------------|---------------------------------|---------------------------------|---------------------------------|--------------------------------------|---------------------------------|--------------------------------------|---------------|------------|-----------|----|----|-------------------------|---------|
| 5-2                             | 4-2                             | 3-2                             | 2-2                                  | 1-2                             | 6-2                                  | 8-2                | 9-1                | 7-2                | 5-1                             | 4-1                             | 3-1                             | 2-1                                  | 1-1                             | 6-1                                  |               |            |           |    |    |                         |         |
| HVT-C-Bu-Au-4.0 mm <sup>2</sup> | HVT-C-Bu-Au-2.5 mm <sup>2</sup> | HVT-C-Bu-Au-1.5 mm <sup>2</sup> | HVT-C-Bu-Au-0.75-1.0 mm <sup>2</sup> | HVT-C-Bu-Au-0.5 mm <sup>2</sup> | HVT-C-Bu-Au-0.13-0.4 mm <sup>2</sup> | HVT-C-Bu-Ag-AWG-14 | HVT-C-Bu-Ag-AWG-12 | HVT-C-Bu-Ag-AWG-10 | HVT-C-Bu-Ag-4.0 mm <sup>2</sup> | HVT-C-Bu-Ag-2.5 mm <sup>2</sup> | HVT-C-Bu-Ag-1.5 mm <sup>2</sup> | HVT-C-Bu-Ag-0.75-1.0 mm <sup>2</sup> | HVT-C-Bu-Ag-0.5 mm <sup>2</sup> | HVT-C-Bu-Ag-0.13-0.4 mm <sup>2</sup> | ORDERING TEXT |            |           |    |    |                         |         |

THIS DRAWING IS A CONTROLLED DOCUMENT.

|                  |                |             |
|------------------|----------------|-------------|
| DWN              | G. WROBLEWSKI  | 04 SEP 2007 |
| CHK              | T. SCHNURPFELT | 04 SEP 2007 |
| APVD             | T. SCHNURPFELT | 04 SEP 2007 |
| PRODUCT SPEC     |                |             |
| APPLICATION SPEC |                |             |
| WEIGHT           | -              |             |
| CUSTOMER DRAWING |                |             |

|                 |           |                                   |               |
|-----------------|-----------|-----------------------------------|---------------|
| TE Connectivity |           | NAME<br>SOCKET CONTACT SERIES HVT |               |
| SIZE            | A2        | CAGE CODE                         | 100779        |
| DRAWING NO      | C=1105301 |                                   | RESTRICTED TO |
| SCALE           | 10:1      | SHEET                             | 1 OF 1        |
| REV             | G3        |                                   |               |

## X-ON Electronics

Largest Supplier of Electrical and Electronic Components

*Click to view similar products for [Heavy Duty Power Connectors](#) category:*

*Click to view products by [TE Connectivity](#) manufacturer:*

Other Similar products are found below :

[647757-1](#) [6643411-1](#) [6646058-2](#) [6646137-1](#) [6646138-1](#) [6646479-1](#) [6646608-1](#) [6646786-1](#) [6646940-1](#) [6651091-1](#) [6651525-1](#) [6651529-1](#)  
[6651788-1](#) [696475-1](#) [702-32-01109](#) [703-25-02205](#) [73000005059](#) [73000005642](#) [73080255059](#) [73080965046](#) [765-15-0080A](#) [765-16-0080B](#)  
[765-18-0080D](#) [829992-1](#) [902-77-02113](#) [PS00/A0620/6300](#) [PS25/A0420/63](#) [129-1J](#) [1409400](#) [AN0024023](#) [E6374G1](#) [e6389g2](#) [157-43GW8](#)  
[MS3117-14AC](#) [1643543-1](#) [1650540-1](#) [1651811-2](#) [1766260-1](#) [1766282-1](#) [1766966-1](#) [1791340000](#) [NLDFT-3-BL-L-S120-M40A](#) [NLDFT-N-](#)  
[W-L-C240-M40B](#) [NLS-2-R-C240-M40B](#) [NLS-N-W-C240-M40B](#) [NPS-3-BL-T6](#) [1986615-1](#) [2-1589900-8](#) [2199314-1](#) [KA8102](#)