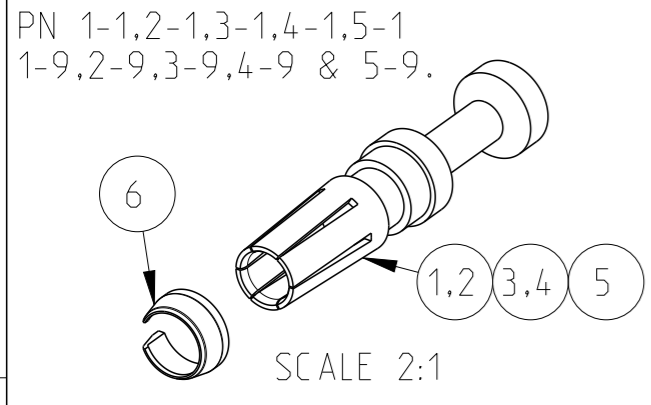
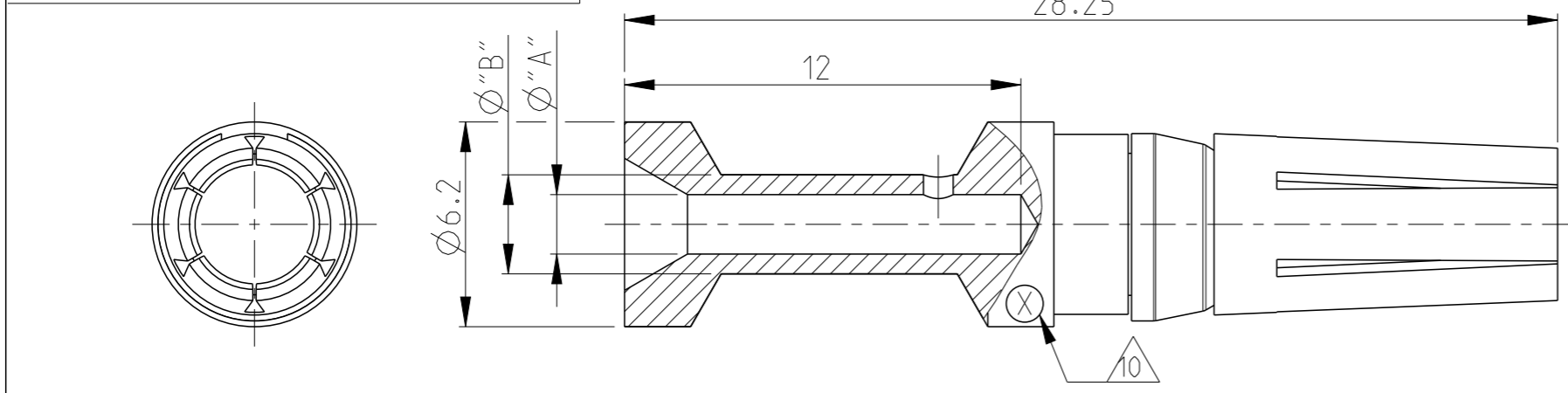


THIS DRAWING IS UNPUBLISHED. RELEASED FOR PUBLICATION 2006
 © COPYRIGHT 2006 BY - ALL RIGHTS RESERVED.

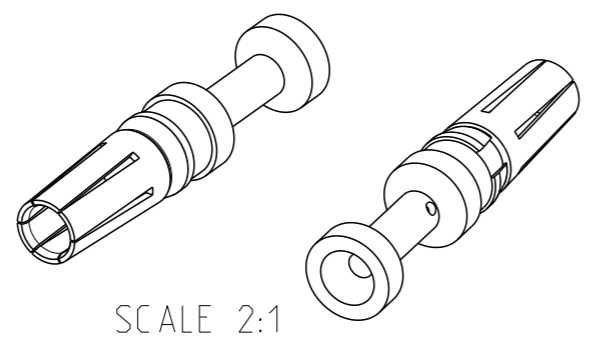
LOC	DIST	REVISIONS					
A1	-	P	LTR	DESCRIPTION	DATE	DWN	APVD
		A7	ECR-14-012792		30AUG2014	RK	MKO



- Notes
- 1 MATERIAL: BRASS
 - 2 FINISH SILVER PLATING: 2µm Ag MIN. OVER Cu
 - 3 ASSEMBLY WEIGHT SEE TABLE. VOLUME: 479mm³ (APPROX.)
 - 4 PACKAGING: 25 PIECES IN A POLY-BAG AND CARTON
 - 5 SUITABLE SOCKET CONTACT: PN 1108756
 - 6 SUITABLE INSERTS: SERIES HSK
 - 7 SUITABLE CRIMPING TOOL: PN 1-1105850-8
 - 8 SUITABLE INSERTION TOOL: PN 0-1102855-6
 - 9 SUITABLE EXTRACTION TOOL: PN 0-1102855-8
 - 10 CROSS-SECTION MARKING
 - 11 STANDARDS: DIN EN 61984, DIN EN 60664-1



1	1	1	1	1	1	1	1	1	1	Ni	CLIP	-	-	-	-	6		
1					1					Ag 2	SOCKET CONTACT	10	0.0030	4.35	5.9	8	12	5
	1					1					SOCKET CONTACT	6.0	0.0029	3.5	4.9	7	12	4
		1					1				SOCKET CONTACT	4.0	0.0027	2.85	3.9	6	12	3
			1					1			SOCKET CONTACT	2.5	0.0028	2.2	3.2	5	12	2
				1					1		SOCKET CONTACT	1.5	0.0028	1.8	3.0	4	12	1
5-9	4-9	3-9	2-9	1-9	5-1	4-1	3-1	2-1	1-1		[MM ²]			"A"	"B"	CROSS-SECTION MARKINGS	(MM)	ITEM NO
HS.K-C-Bu.Ag 10mm ²	HS.K-C-Bu.Ag 6mm ²	HS.K-C-Bu.Ag 4mm ²	HS.K-C-Bu.Ag 2.5mm ²	HS.K-C-Bu.Ag 1.5mm ²	HS.K-C-Bu.Ag 10mm ²	HS.K-C-Bu.Ag 6mm ²	HS.K-C-Bu.Ag 4mm ²	HS.K-C-Bu.Ag 2.5mm ²	HS.K-C-Bu.Ag 1.5mm ²	PLATING	DESCRIPTION	CROSS SECTION	WEIGHT IN (Kg)	DIMENSIONS		CROSS-SECTION MARKINGS	STRIPPING-LENGTH	
4	4	4	4	4	4	4	4	4	4				3			10		



THIS DRAWING IS A CONTROLLED DOCUMENT.

DWN SCHWEIGER 03Mar2008
 CHK H.BRAUN 03Mar2008
 APVD T. SCHNURPFEL 03Mar2008

TE Connectivity

NAME: SOCKET CONTACT SERIES HSK

PRODUCT SPEC: 108-74004
 APPLICATION SPEC: 114-74003
 WEIGHT: -

SIZE: A3 CAGE CODE: 00779 DRAWING NO: C=1108756 RESTRICTED TO: -

Customer Drawing SCALE: 5:1 SHEET: 1 OF 1 REV: A7

DIMENSIONS: mm TOLERANCES UNLESS OTHERWISE SPECIFIED:
 0 PLC ±
 1 PLC ±
 2 PLC ±
 3 PLC ±
 4 PLC ±
 ANGLES ±

MATERIAL: 1 FINISH: 2

X-ON Electronics

Largest Supplier of Electrical and Electronic Components

Click to view similar products for [Heavy Duty Power Connectors](#) category:

Click to view products by [TE Connectivity](#) manufacturer:

Other Similar products are found below :

[647757-1](#) [6643411-1](#) [6646058-2](#) [6646137-1](#) [6646138-1](#) [6646479-1](#) [6646608-1](#) [6646786-1](#) [6646940-1](#) [6651091-1](#) [6651525-1](#) [6651529-1](#)
[6651788-1](#) [696475-1](#) [702-32-01109](#) [703-25-02205](#) [73000005059](#) [73000005642](#) [73080255059](#) [73080965046](#) [765-15-0080A](#) [765-16-0080B](#)
[765-18-0080D](#) [829992-1](#) [902-77-02113](#) [PS00/A0620/6300](#) [PS25/A0420/63](#) [129-1J](#) [1409400](#) [AN0024023](#) [E6374G1](#) [e6389g2](#) [157-43GW8](#)
[MS3117-14AC](#) [1643543-1](#) [1650540-1](#) [1651811-2](#) [1766260-1](#) [1766282-1](#) [1766966-1](#) [1791340000](#) [NLDFT-3-BL-L-S120-M40A](#) [NLDFT-N-](#)
[W-L-C240-M40B](#) [NLS-2-R-C240-M40B](#) [NLS-N-W-C240-M40B](#) [NPS-3-BL-T6](#) [1986615-1](#) [2-1589900-8](#) [2199314-1](#) [KA8102](#)