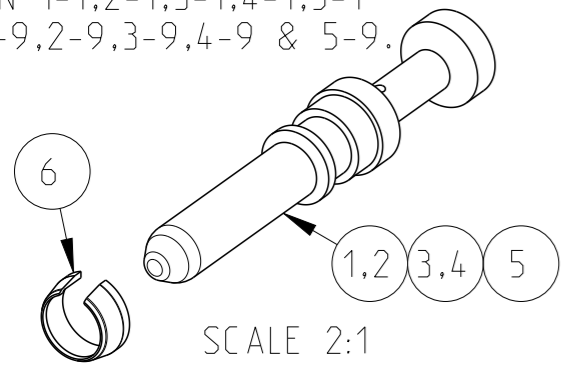
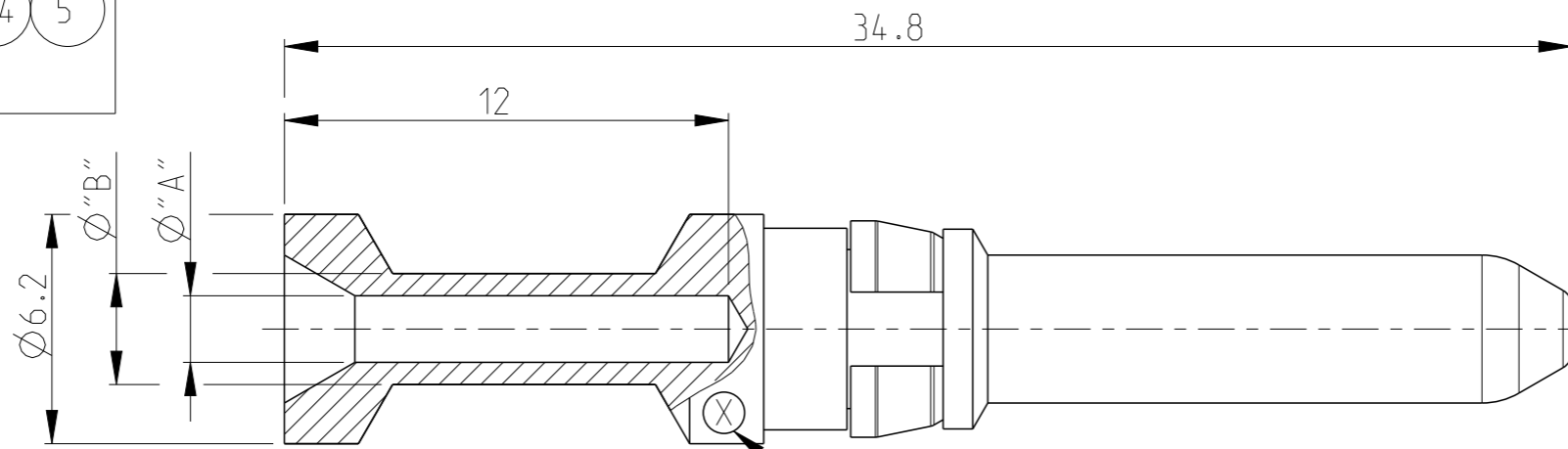


P	LTR	DESCRIPTION	DATE	DWN	APVD
A6		ECR-21-123594	27JAN2022	RK	JB

PN 1-1,2-1,3-1,4-1,5-1
1-9,2-9,3-9,4-9 & 5-9.



△12 OBSOLETE



Notes

- △1 MATERIAL: BRASS
- △2 FINISH SILVER PLATING: 2 μm Ag MIN. OVER Cu
- △3 ASSEMBLY WEIGHT SEE TABLE. VOLUME: 479mm³ (APPROX.)
- △4 PACKAGING:
25 PIECES IN A POLY-BAG AND CARTON
- 5 SUITABLE SOCKET CONTACT: PN 1108756
- 6 SUITABLE INSERTS: SERIES HSK
- 7 SUITABLE CRIMPING TOOL: PN 1-1105850-8
- 8 SUITABLE INSERTION TOOL: PN 0-1102855-6
- 9 SUITABLE EXTRACTION TOOL: PN 0-1102855-8
- △10 CROSS-SECTION MARKING
- 11 STANDARDS: DIN EN 61984, DIN EN 60664-1

										△12	△12	△12	△10						6
5-9	4-9	3-9	2-9	1-9	5-1	4-1	3-1	2-1	1-1		Ni	CLIP	-	-	-	-	-	6	
HS.K-C-Sti.Ag 10mm ²	HS.K-C-Sti.Ag 6mm ²	HS.K-C-Sti.Ag 4mm ²	HS.K-C-Sti.Ag 2.5mm ²	HS.K-C-Sti.Ag 1.5mm ²	HS.K-C-Sti.Ag 10mm ²	HS.K-C-Sti.Ag 6mm ²	HS.K-C-Sti.Ag 4mm ²	HS.K-C-Sti.Ag 2.5mm ²	HS.K-C-Sti.Ag 1.5mm ²		Ag	PIN CONTACT	10	0.0041	4.35	5.9	8	12	5
											△2	PIN CONTACT	6.0	0.0041	3.5	4.9	7	12	4
												PIN CONTACT	4.0	0.0041	2.85	3.9	6	12	3
												PIN CONTACT	2.5	0.0039	2.2	3.2	5	12	2
												PIN CONTACT	1.5	0.0040	1.8	3.0	4	12	1
													[MM ²]		"A"	"B"	CROSS-SECTION MARKINGS	(MM)	ITEM NO
											PLATING	DESCRIPTION	CROSS SECTION	WEIGHT IN (Kg)	DIMENSIONS		△10	STRIPPING-LENGTH	

THIS DRAWING IS A CONTROLLED DOCUMENT.

DWN SCHWEIGER 03Mar2008

CHK H.BRAUN 03Mar2008

APVD T. SCHNURPFIL 03Mar2008

PRODUCT SPEC 108-74004

APPLICATION SPEC 114-74003

WEIGHT -

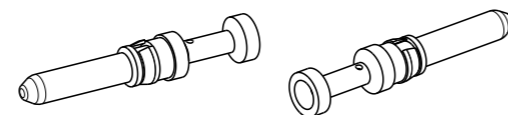
CUSTOMER DRAWING



NAME
PIN CONTACT
SERIES HSK

SIZE A3 CAGE CODE 00779 DRAWING NO. C=1108757 RESTRICTED TO -

SCALE 5:1 SHEET 1 OF 1 REV A6



SCALE 1:1

DIMENSIONS: mm	TOLERANCES UNLESS OTHERWISE SPECIFIED: n. ISO 2768-mS-E DIN 16901
	0 PLC ± 1 PLC ± 2 PLC ± 3 PLC ± 4 PLC ± ANGLES ±
MATERIAL △1	FINISH △2

X-ON Electronics

Largest Supplier of Electrical and Electronic Components

Click to view similar products for [Heavy Duty Power Connectors](#) category:

Click to view products by [TE Connectivity](#) manufacturer:

Other Similar products are found below :

[647757-1](#) [6643411-1](#) [6646058-2](#) [6646137-1](#) [6646138-1](#) [6646479-1](#) [6646608-1](#) [6646786-1](#) [6646940-1](#) [6651091-1](#) [6651525-1](#) [6651529-1](#)
[6651788-1](#) [696475-1](#) [702-32-01109](#) [703-25-02205](#) [73000005059](#) [73000005642](#) [73080255059](#) [73080965046](#) [765-15-0080A](#) [765-16-0080B](#)
[765-18-0080D](#) [829992-1](#) [902-77-02113](#) [PS00/A0620/6300](#) [PS25/A0420/63](#) [129-1J](#) [1409400](#) [AN0024023](#) [E6374G1](#) [e6389g2](#) [157-43GW8](#)
[MS3117-14AC](#) [1643543-1](#) [1650540-1](#) [1651811-2](#) [1766260-1](#) [1766282-1](#) [1766966-1](#) [1791340000](#) [NLDFT-3-BL-L-S120-M40A](#) [NLDFT-N-](#)
[W-L-C240-M40B](#) [NLS-2-R-C240-M40B](#) [NLS-N-W-C240-M40B](#) [NPS-3-BL-T6](#) [1986615-1](#) [2-1589900-8](#) [2199314-1](#) [KA8102](#)