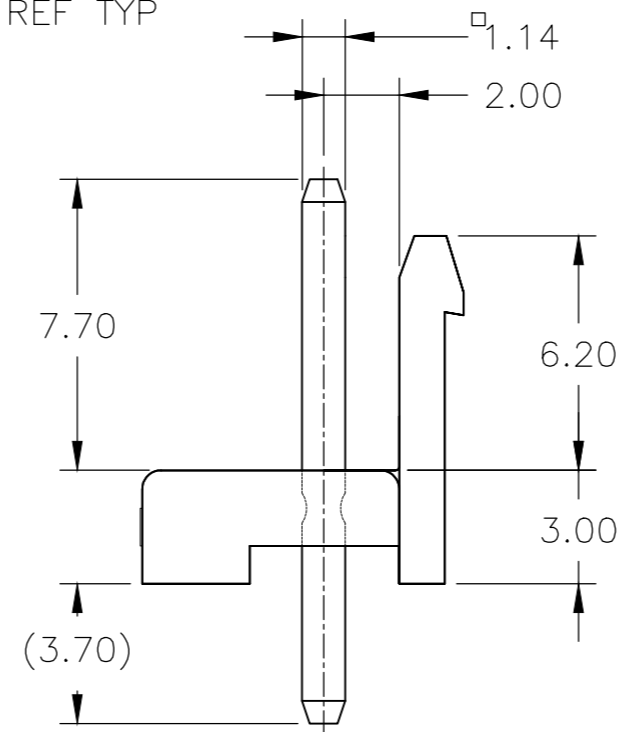
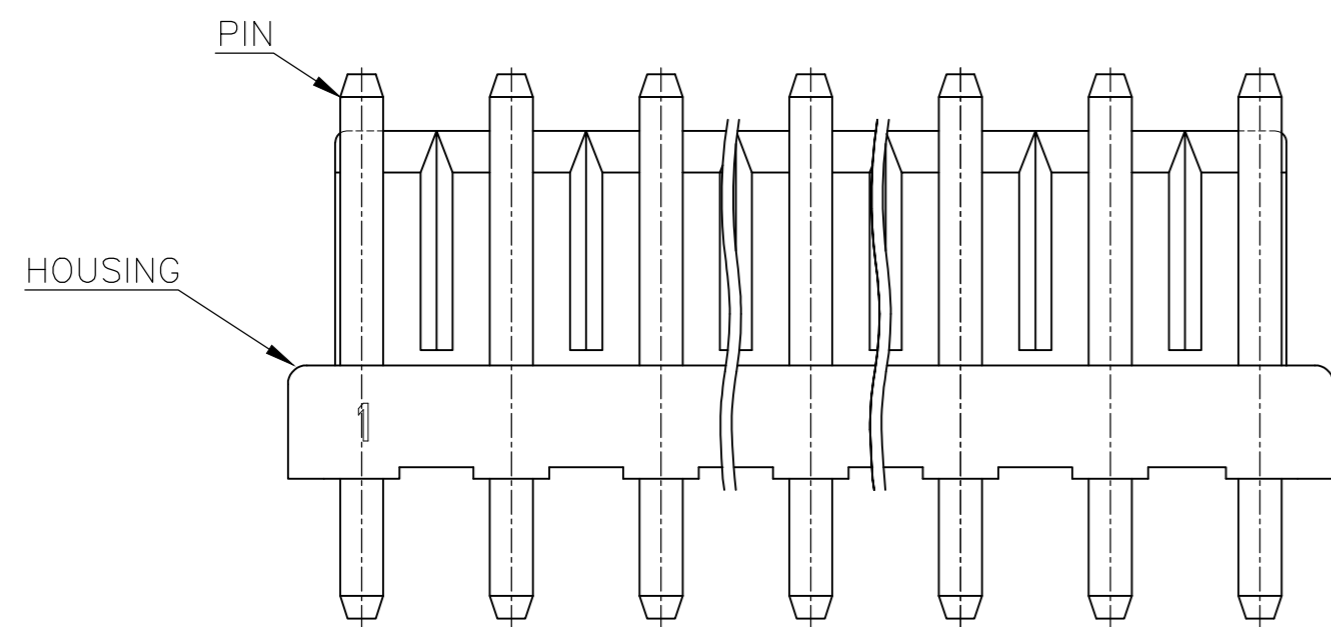


THIS DRAWING IS UNPUBLISHED. RELEASED FOR PUBLICATION
 © COPYRIGHT - By - ALL RIGHTS RESERVED.

REVISIONS					
P	LTR	DESCRIPTION	DATE	DWN	APVD
AA4		REVISED PER ECR-18-005503	30MAY2018	BDA	SG



$\phi 1.60^{+0.1}_{-0.0}$ (PUNCHED HOLE)
 $\phi 1.65^{+0.1}_{-0.0}$ (DRILLED HOLE)

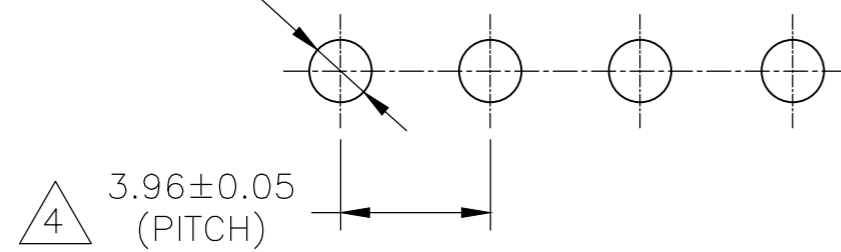


FIG.1

- 1 MATING CONN P/N: □-1123722-□
- 2 APPLICABLE P.C.B LAYOUT: SEE FIG. 1
- 3 APPLICABLE P.C.B THICKNESS: 1.60
- 4 SKETCHES SHOW NO PINS MISSING.
- 6 PIN: POST TIN OVER BRASS
- 7 HOUSING: PBT, 30% GLASS, UL94-V0.
- 8 ○ : WITH PIN,
X : WITHOUT PIN.
- 10 SUPERSEDED BY 1744489-2.
- 11 SUPERSEDED BY 1744489-4.
- 12 SUPERSEDED BY 1744489-5.
- 13 SUPERSEDED BY 1744489-6.
- 14 SUPERSEDED BY 1744489-7.
- 15 SUPERSEDED BY 1744489-8.
- 16 SUPERSEDED BY 1744489-9.
- 17 SUPERSEDED BY 1-1744489-0.
- 18 SUPERSEDED BY 1-1744489-1.
- 19 VALUES FOR UL 61800-5-1

Flam	RTIe deg C	HWI	HAI	CTI
V0	130	PLC 2	PLC 4	PLC 2_UL746

THIS DRAWING IS A CONTROLLED DOCUMENT.		DWN N.YAMASAKI 13MAR'01	TE Connectivity	
DIMENSIONS: mm		CHK M.SHINDO 13MAR'01		
TOLERANCES UNLESS OTHERWISE SPECIFIED:		APVD Y.KASHIWA 13MAR'01	NAME 3.96MM PITCH ECONOMY POWER(EP) CONN HEADER ASSY	
0 PLC ±		PRODUCT SPEC 108-5609	SIZE A2	
1 PLC ± 0.50		APPLICATION SPEC	CAGE CODE 00779	
2 PLC ± 0.30		WEIGHT	DRAWING NO C=1123723	
3 PLC ±		FINISH	RESTRICTED TO	
4 PLC ±		SEE TABLE	SCALE 5:1	
ANGLES ±		SEE TABLE	SHEET 1 OF 2	
MATERIAL SEE TABLE		CUSTOMER DRAWING	REV AA4	

THIS DRAWING IS UNPUBLISHED. RELEASED FOR PUBLICATION
 © COPYRIGHT - By - ALL RIGHTS RESERVED.

REVISIONS					
P	LTR	DESCRIPTION	DATE	DWN	APVD
-	-	SEE SHEET 1	-	-	-

PIN POSITION	"C"	"B"REF	"A"REF	COLOR	POS	ASS'Y P/N
1				NATURAL	11	8-1123723-1
2				GREEN		6-1123723-1
3				BLACK		5-1123723-1
4				RED		4-1123723-1
5				BLUE		3-1123723-1
6				YELLOW		2-1123723-1
7				NATURAL		1-1123723-1
8				NATURAL	10	7-1123723-0
9				GREEN		6-1123723-0
10				BLACK		5-1123723-0
11				RED		4-1123723-0
				BLUE		3-1123723-0
				YELLOW		2-1123723-0
				NATURAL		1-1123723-0
	31.68	33.08	35.58	NATURAL	9	7-1123723-9
	39.60	41.00	43.50	NATURAL		7-1123723-1
				GREEN		6-1123723-9
				BLACK		5-1123723-9
				RED		4-1123723-9
				BLUE		3-1123723-9
				YELLOW		2-1123723-9
				NATURAL		1-1123723-9

PIN POSITION	"C"	"B"REF	"A"REF	COLOR	POS	ASS'Y P/N
1				NATURAL	8	7-1123723-8
2				GREEN		6-1123723-8
3				BLACK		5-1123723-8
4				RED		4-1123723-8
5				BLUE		3-1123723-8
6				YELLOW		2-1123723-8
7				NATURAL		1-1123723-8
8				NATURAL	7	7-1123723-7
9				GREEN		6-1123723-7
10				BLACK		5-1123723-7
11				RED		4-1123723-7
				BLUE		3-1123723-7
				YELLOW		2-1123723-7
				NATURAL		1-1123723-7
				NATURAL	6	7-1123723-6
				GREEN		6-1123723-6
				BLACK		5-1123723-6
				RED		4-1123723-6
				BLUE		3-1123723-6
				YELLOW		2-1123723-6
				NATURAL		1-1123723-6
				NATURAL	5	7-1123723-5
				GREEN		6-1123723-5
				BLACK		5-1123723-5
				RED		4-1123723-5
				BLUE		3-1123723-5
				YELLOW		2-1123723-5
				NATURAL		1-1123723-5
				NATURAL	4	7-1123723-4
				GREEN		6-1123723-4
				BLACK		5-1123723-4
				RED		4-1123723-4
				BLUE		3-1123723-4
				YELLOW		2-1123723-4
				NATURAL		1-1123723-4
				NATURAL	3	7-1123723-3
				GREEN		6-1123723-3
				BLACK		5-1123723-3
				RED		4-1123723-3
				BLUE		3-1123723-3
				YELLOW		2-1123723-3
				NATURAL		1-1123723-3
				NATURAL	2	7-1123723-2
				GREEN		6-1123723-2
				BLACK		5-1123723-2
				RED		4-1123723-2
				BLUE		3-1123723-2
				YELLOW		2-1123723-2
				NATURAL		1-1123723-2

THIS DRAWING IS A CONTROLLED DOCUMENT.

DWN: N.YAMASAKI 13MAR'01
 CHK: M.SHINDO 13MAR'01
 APVD: Y.KASHIWA 13MAR'01

TE Connectivity
STE

3.96MM PITCH ECONOMY POWER(EP) CONN
 HEADER ASSY

108-5609
 APPLICATION SPEC

SIZE: A2 CAGE CODE: 00779 DRAWING NO: C=1123723 RESTRICTED TO: -
 SCALE: 5:1 SHEET: 2 OF 2 REV: AA4

MATERIAL: SEE TABLE FINISH: SEE TABLE WEIGHT: CUSTOMER DRAWING

X-ON Electronics

Largest Supplier of Electrical and Electronic Components

Click to view similar products for [Headers & Wire Housings](#) category:

Click to view products by [TE Connectivity](#) manufacturer:

Other Similar products are found below :

[95000-104TRLF](#) [10135584-644402LF](#) [DF62W-EP2022PCA](#) [95000-106TRLF](#) [DF62W-2022SCA](#) [DF62W-EP2022PC](#) [2203348](#) [DF62W-2022SC](#) [1084018](#) [1029039](#) [1084017](#) [802-10-012-10-002000](#) [1112640](#) [1112639](#) [000-34000](#) [0009482033](#) [0009507031](#) [57102-S06-03LF](#) [57202-S52-04LF](#) [PCN6-15S-2.5E](#) [0039019024](#) [58102-G61-06LF](#) [582553-1](#) [0009508121](#) [0050291907](#) [018731A](#) [LY20-4P-DT1-P1E-BR](#) [02.125.8002.8](#) [60101931](#) [60598-1 \(Cut Strip\)](#) [M1625-3R/100](#) [61062-3](#) [61082-181009](#) [636-1427](#) [638009-1](#) [641938-9](#) [641991-4](#) [644168-1](#) [647662-1](#) [65039-019ELF](#) [65817-002LF](#) [65817-015LF](#) [65863-015LF](#) [66207-023LF](#) [67016-026LF](#) [67046-001LF](#) [67095-007LF](#) [68002-116](#) [68016-236H](#) [68648-049](#)