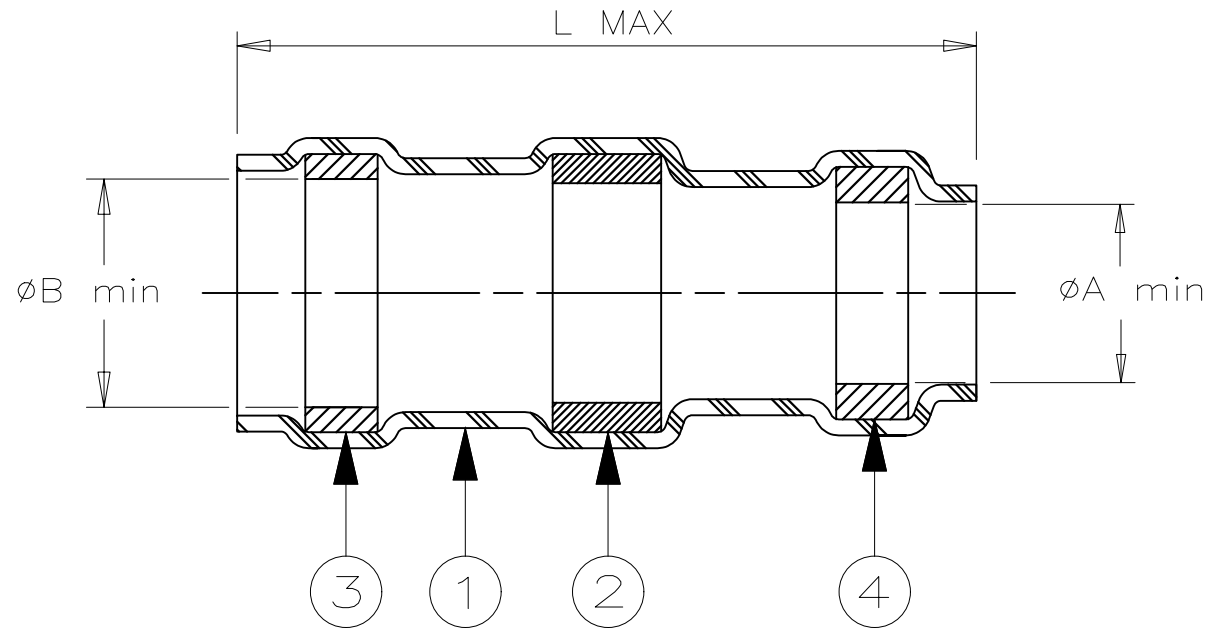
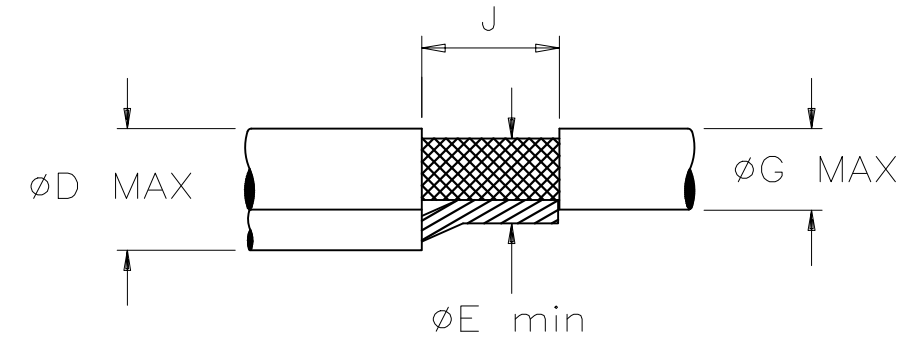


P	LTR	DESCRIPTION	DATE	DWN	APVD
	4	AS PER ECO-20-004511	30MAR2020	MG	UV



For best results, prepare the cable as shown:



APPLICATION

These parts are designed to provide an environment protected shield termination on cables, rated for 125°C minimum, meeting the dimensional criteria listed, having tin or silver plated copper shields.

Install using TE Connectivity approved convection or infrared tools in accordance with Raychem assembly procedure RCPS-100-70.

PERFORMANCE

Assemblies will meet requirements of Raychem specification RT-1404 and National Aerospace Standard NAS-1747.

Temperature range: -55°C to +150°C.

TECHNICAL DETAILS

ITEM	DESCRIPTION	MATERIAL
①	Heat-shrinkable insulation sleeve Transparent blue.	Radiation cross-linked polyvinylidene fluoride.
②	Solder preform with flux.	Sn63 Pb37 solder alloy Thermal indicator: violet
③	Meltable ring. color: grey	Thermally stabilized thermoplastic.
④	Meltable ring. color: grey	Thermally stabilized thermoplastic.

Product Name	Product dimensions			Cable dimensions			
	L MAX	ØA min	ØB min	ØD MAX	ØE min	ØG MAX	J±0.5 (±0.02)
D-101-00	17.25 (0.680)	4.55 (0.180)	5.00 (0.200)	5.00 (0.200)	2.5 (0.100)	4.55 (0.180)	7 (0.275)

IF THIS DOCUMENT IS PRINTED IT BECOMES UNCONTROLLED. CHECK FOR THE LATEST REVISION.

THIS DRAWING IS A CONTROLLED DOCUMENT.		DWN M.GOWDA 30MAR2020	TE Connectivity				
DIMENSIONS: mm [INCHES]		CHK N.HEGDE 30MAR2020					
TOLERANCES UNLESS OTHERWISE SPECIFIED:		APVD U.VARMA 30MAR2020	NAME				
0 PLC ± - 1 PLC ± - 2 PLC ± - 3 PLC ± - 4 PLC ± - ANGLES ± -		PRODUCT SPEC	SOLDERSLEEVE SHIELD TERMINATOR				
MATERIAL		FINISH	APPLICATION SPEC	SIZE	CAGE CODE	DRAWING NO	RESTRICTED TO
-		-	-	A3	06090	C=D-101-00	-
CUSTOMER DRAWING			SCALE	SHEET	REV		
			DNS	1 OF 1	4		

X-ON Electronics

Largest Supplier of Electrical and Electronic Components

Click to view similar products for [TE Connectivity](#) manufacturer:

Other Similar products are found below :

[D38999/24FJ4AN](#) [570416-000](#) [CLTEQ-M81CE-SSRELAY-4-20V](#) [4-1195131-0](#) [650069-000](#) [SMD100-2](#) [358838-000](#) [CB-1022B-78](#)
[RM707012](#) [RP410012](#) [MMS42](#) [1-640426-8](#) [2EDL4CM](#) [DTS20W19-11PD-3028-LC](#) [RM202615](#) [NC6-P104-06](#) [MSPS103B](#) [DTS26F21-](#)
[41HE-LC](#) [DTS26F21-41AE](#) [DTS26F21-41PE-LC](#) [DTS26F21-11SE-3028-LC](#) [30DCB6](#) [1932144-1](#) [293545-4](#) [LVR125S](#) [MS27466T25F4PB](#)
[CKB-38-78010](#) [TR04AI-TINELLOCKRING](#) [1206SFF150F/63-2](#) [D38999/20JB35HA](#) [TE1500A2R2J](#) [D38999/20WC8BB](#) [DTS24F19-11SC-](#)
[3028-LC](#) [D38999/24WG11HA](#) [D38999/24WG11HN](#) [MS27467T21F11H](#) [DJT16E21-11HA](#) [MS27467T21F35J](#) [MS27467T21F11J](#)
[MS27467T21F16H-LC](#) [MS27467T21F35H](#) [MS27467T21F41H-LC](#) [1206SFH150F/24-2](#) [RP330024](#) [DJT16E21-11PA-LC](#) [DJT16E21-11HA-](#)
[LC](#) [DJT16E21-11AA](#) [MS27467T21B11JA](#) [DJT16E21-11JA](#) [MS27467T21B11JA-LC](#)