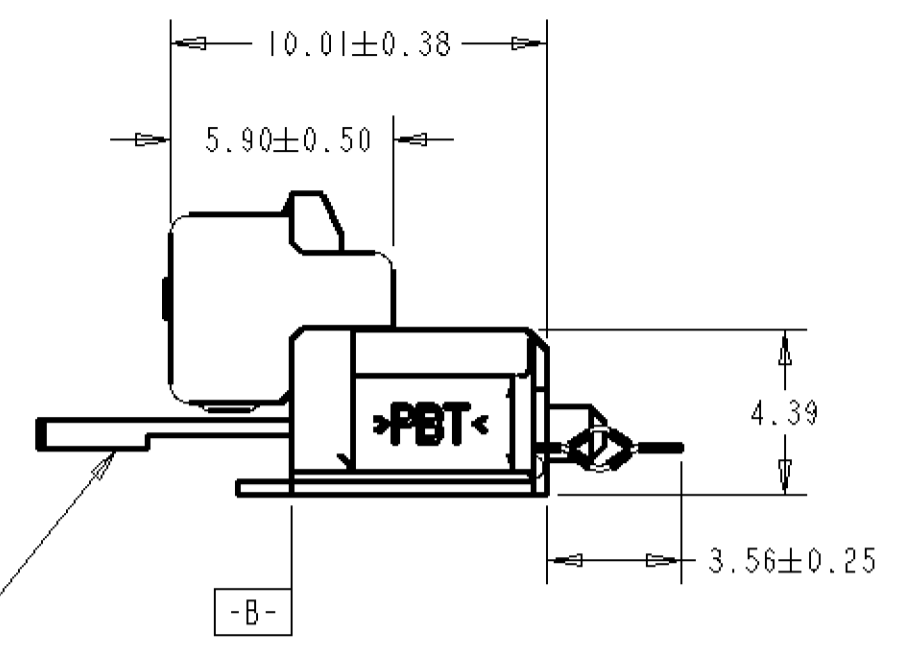
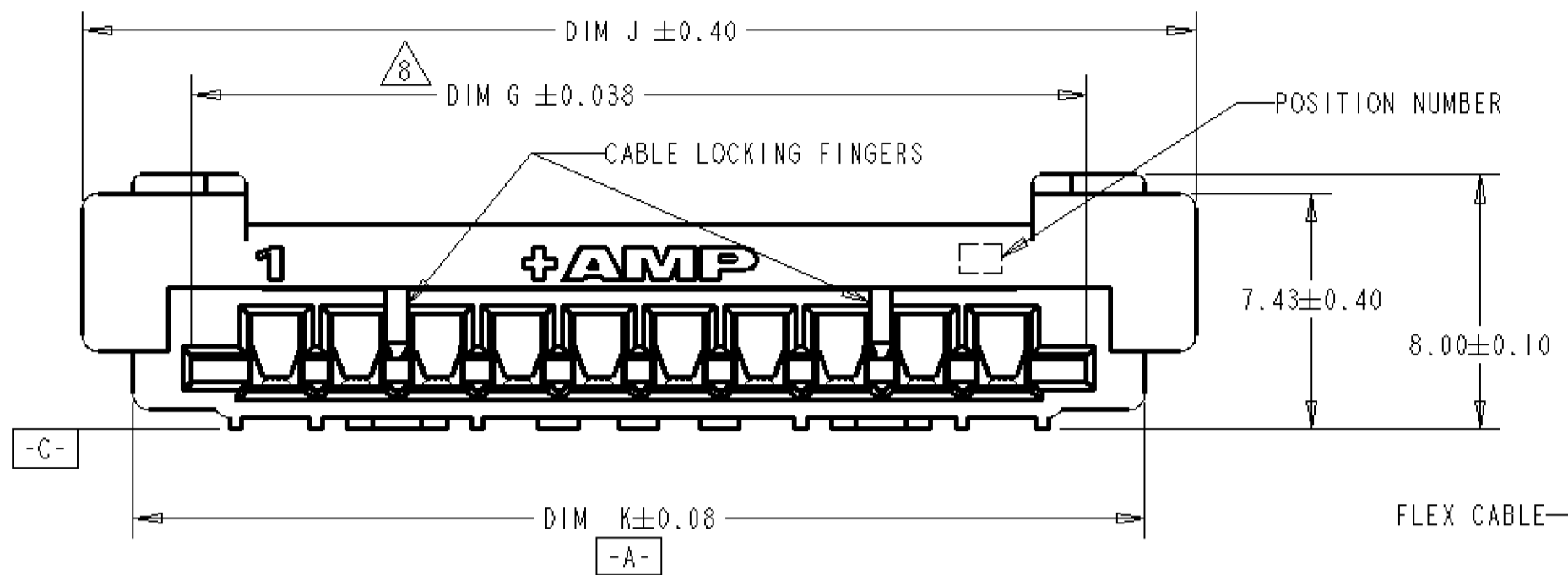
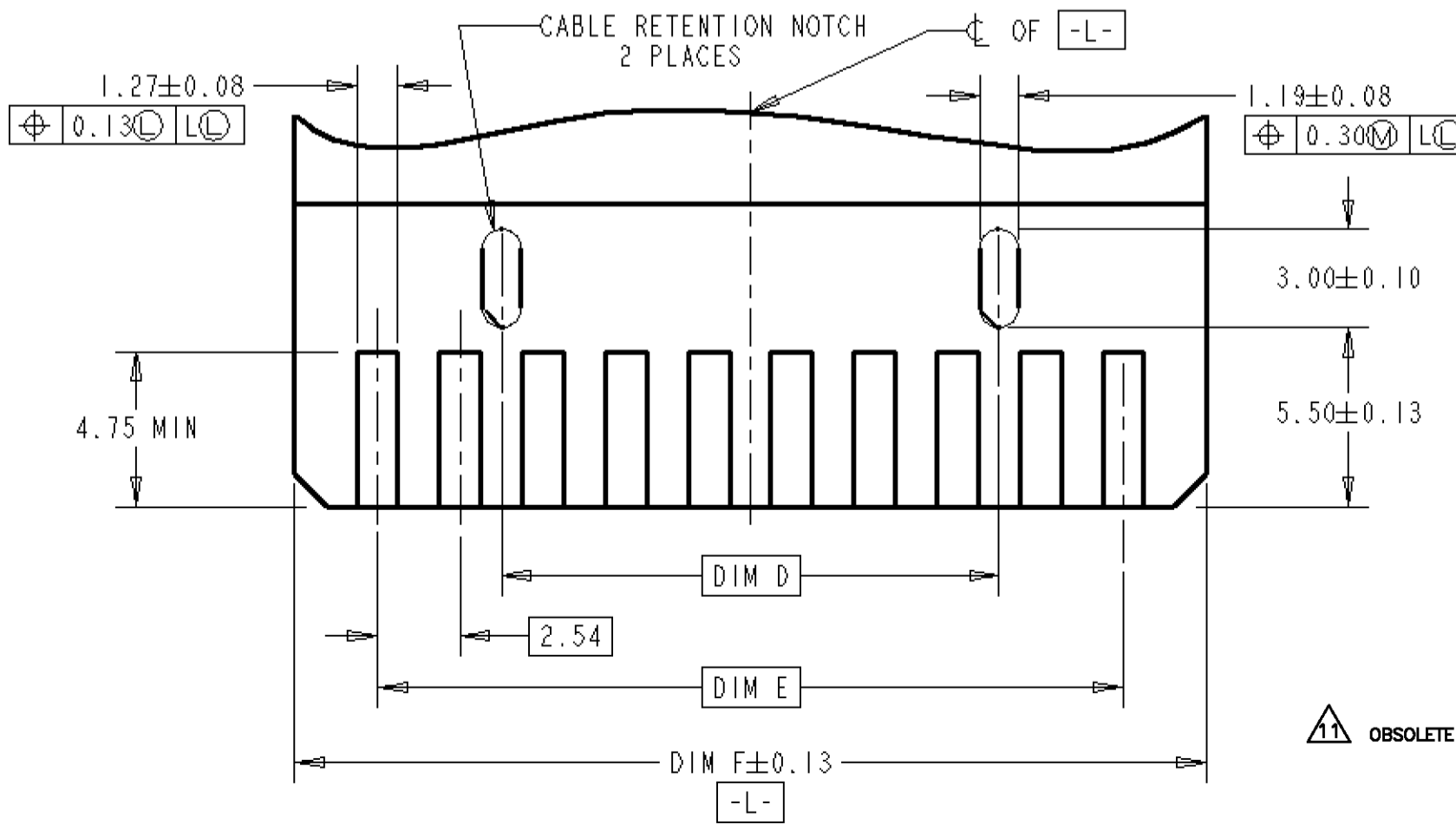
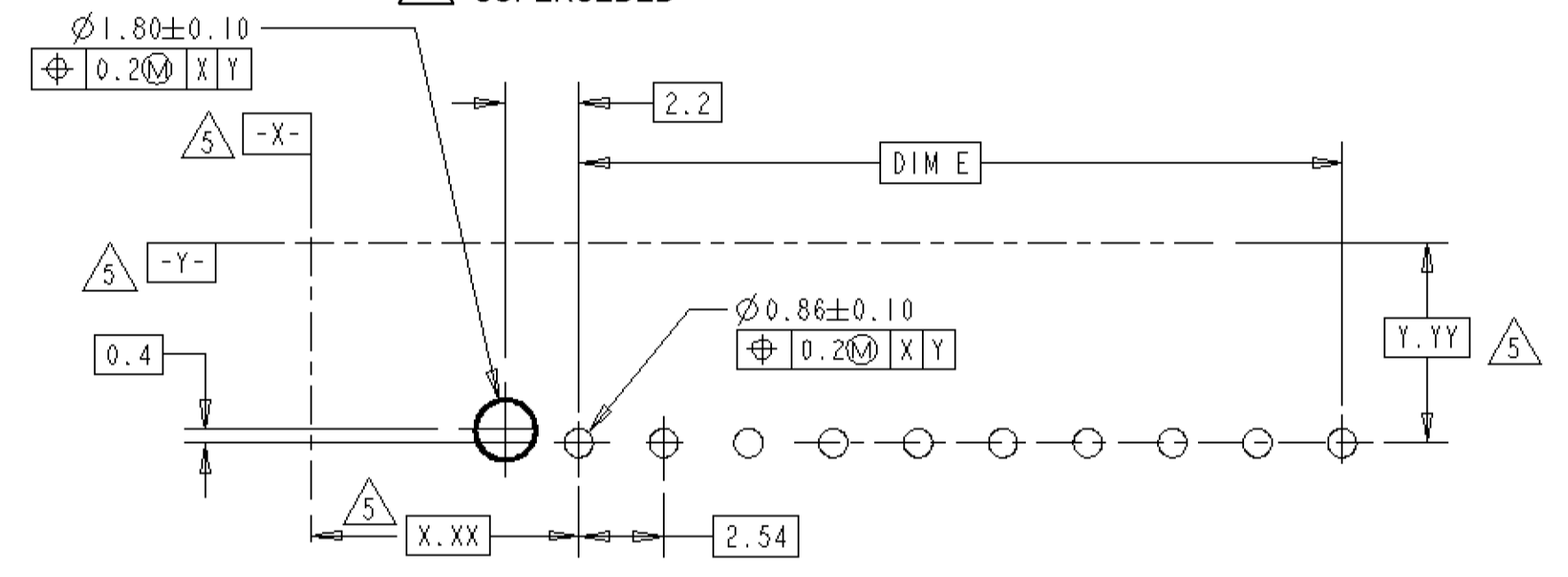
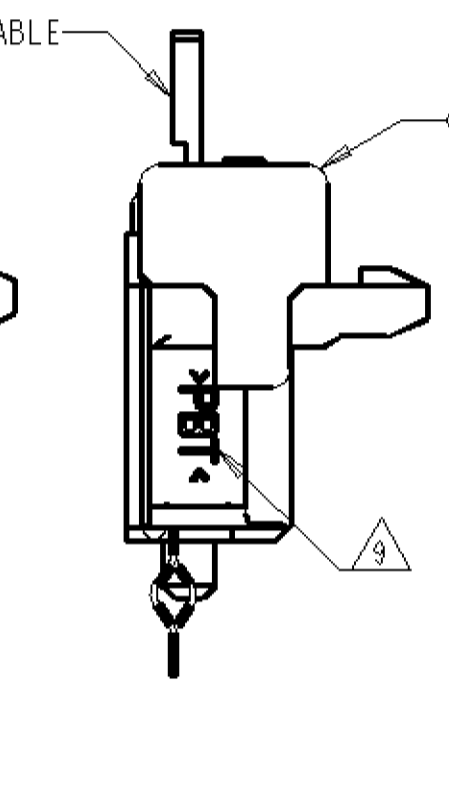
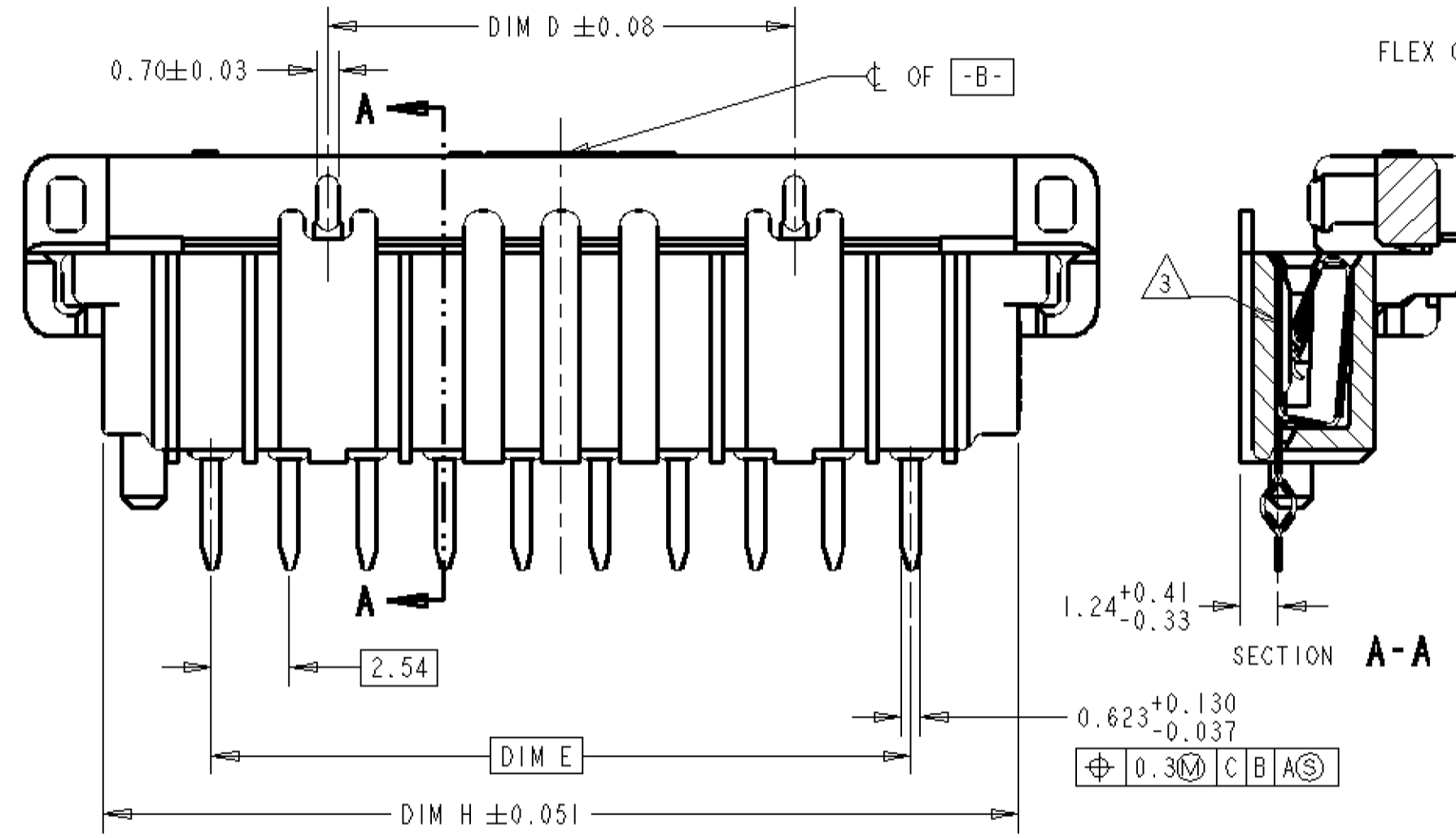


THIS DRAWING IS UNPUBLISHED. RELEASED FOR PUBLICATION  
 ALL RIGHTS RESERVED.

LOC		DIST		REVISIONS			
P	LTR	DESCRIPTION	DATE	DWN	APVD		
E3		REVISED PER ECO-11-005140	19APR11	RK	HMR		



- 1 MATERIALS: HOUSING & LOCKING BAR: GLASS-REINFORCED THERMOPLASTIC, UL 94-V0 RATED, COLOR: BLACK. CONTACT: PHOSPHOR BRONZE.
- 2 CONNECTOR WILL ACCEPT FLEXIBLE PRINTED CIRCUIT OR FLAT FLEXIBLE CABLE ON 2.54 CENTERS IN A THICKNESS RANGE OF 0.127 TO 0.381 IN THE CONTACT AREA.
- 3 SEQUENTIAL CONTACTS REDUCE CABLE INSERTION FORCE.
- 4 FINISH: 0.0038-0.0064 THICK, MATTE TIN OVER COPPER OR NICKEL FLASH PRE-PLATED ON STRIP.
- 5 DATUMS AND DIMENSIONS ESTABLISHED BY THE CUSTOMER.
- 6 CONNECTOR FOR USE ON 1.57 THICK PCB.
- 7. REFER TO AMP APPLICATION SPECIFICATION 114-2062 FOR MORE INFORMATION ABOUT USING THIS PRODUCT.
- 8 DIMENSION APPLIES AT THE BOTTOM OF THE CAVITY.
- 9 DFE SYMBOL ON EITHER SIDE
- 10 SUPERSEDED



PART NUMBER	DIM K	DIM J	DIM H	DIM G	DIM F	DIM E	DIM D	POSN NO.	PART NUMBER
<del>7-120628-2</del>	62.32	65.52	60.40	58.66	58.42	53.34	45.72	22	<del>2-120628-2</del>
7-120628-0	57.24	60.44	55.32	53.58	53.34	48.26	40.64	20	2-120628-0
<del>6-120628-9</del>	54.70	57.90	52.78	51.04	50.80	45.72	38.10	19	<del>1-120628-9</del>
<del>6-120628-8</del>	52.16	55.36	50.24	48.50	48.26	43.18	35.56	18	<del>1-120628-8</del>
<del>6-120628-7</del>	49.62	52.82	47.70	45.96	45.72	40.64	33.02	17	<del>1-120628-7</del>
<del>6-120628-6</del>	47.08	50.28	45.16	43.42	43.18	38.10	30.48	16	<del>1-120628-6</del>
<del>6-120628-4</del>	42.00	45.20	40.08	38.34	38.10	33.02	25.40	14	<del>1-120628-4</del>
<del>6-120628-3</del>	39.46	42.66	37.54	35.80	35.56	30.48	22.86	13	<del>1-120628-3</del>
<del>6-120628-2</del>	36.92	40.12	35.00	33.26	33.02	27.94	20.32	12	<del>1-120628-2</del>
6-120628-0	31.84	35.04	29.92	28.18	27.94	22.86	15.24	10	1-120628-0
<del>5-120628-9</del>	29.30	32.50	27.38	25.64	25.40	20.32	12.70	9	<del>120628-9</del>
5-120628-8	26.76	29.96	24.84	23.10	22.86	17.78	10.16	8	120628-8
<del>5-120628-7</del>	24.22	27.42	22.30	20.56	20.32	15.24	7.62	7	<del>120628-7</del>
<del>5-120628-5</del>	19.14	22.34	17.22	15.48	15.24	10.16	2.54	5	<del>120628-5</del>

RECOMMENDED CABLE LAYOUT 2

RECOMMENDED P.C. BOARD LAYOUT 6

1 OBSOLETE PARTS: OBSOLETE CIS STREAMLINING PER D.RENAUD/D.SINISI

DIMENSIONS: mm		TOLERANCES UNLESS OTHERWISE SPECIFIED:		DWN WYLEE 8SEP98		CHK AP TAY		APVD SE LEONG		PRODUCT SPEC		NAME	
0 PLC	±	1 PLC	±	108-2038		APPLICATION SPEC		114-2062		WEIGHT		SCALE 5.1	
2 PLC	±0.13	3 PLC	±	114-2062		CUSTOMER DRAWING		SIZE A2		CAGE CODE 00779		DRAWING NO. C-120628	
4 PLC	±	ANGLES	±0°30'	FINISH		4		RESTRICTED TO		SHEET		OF	



LOCKING TRIOMATE ASSY, VERTICAL, POLARIZATION ON PIN #1 SIDE, W/RETENTION LEGS

## X-ON Electronics

Largest Supplier of Electrical and Electronic Components

*Click to view similar products for [FFC & FPC Connectors](#) category:*

*Click to view products by [TE Connectivity](#) manufacturer:*

Other Similar products are found below :

[HFW11R-1STE1H1LF](#) [FH29B-100S-0.2SHW\(99\)](#) [FA5S008HP1](#) [FH29B-120S-0.2SHW\(99\)](#) [FH29B-80S-0.2SHW\(99\)](#) [FHS-16](#) [FPH-2022G](#)  
[52610-1075](#) [52610-1275](#) [52610-1934](#) [XF3M\(1\)-1415-1B-R100](#) [501864-3091-TR225](#) [0525594033](#) [086210010340800](#) [086222026001800](#)  
[52271-2869-CUT-TAPE](#) [62684-36210E9ALF](#) [52610-1675](#) [52746-1671-TR250](#) [AYF330735](#) [10051922-2810EHLF](#) [6-520415-9](#) [BD021-09A-](#)  
[A1-0350-0200-0550-LD](#) [SFV6R-1STE9HLF](#) [XF3M-2915-1B-R100](#) [1658549-1](#) [62674-221121ALF](#) [151660622](#) [842-816-2630-035](#)  
[AYF530665TA](#) [AYF351525](#) [046296011930846+](#) [AYF352325A](#) [046254020000800+](#) [FH19C-13S-0.5SH\(99\)](#) [FH39J-51S-0.3SHW\(99\)](#)  
[AYF355125A](#) [AYF530365TA](#) [FH29B-44S-0.2SHW\(99\)](#) [SFW5R-2STAE9LF](#) [AYF351125A](#) [AYF350725A](#) [62684-502100AHLF](#) [FH39-61S-](#)  
[0.3SHW\(99\)](#) [AYF414035A](#) [10064555-172520HLF](#) [AYF212335A](#) [504754-2500](#) [SFW7S-2STME1LF](#) [FH39-45S-0.3SHW\(99\)](#)