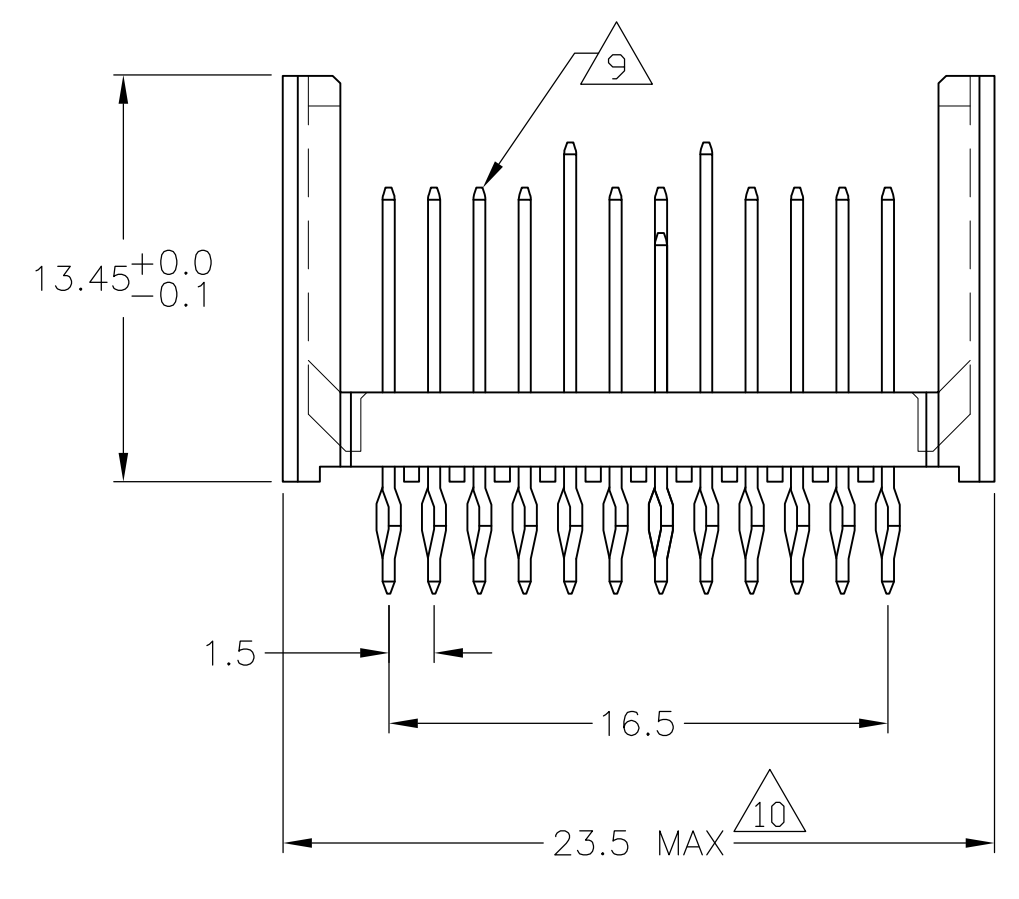
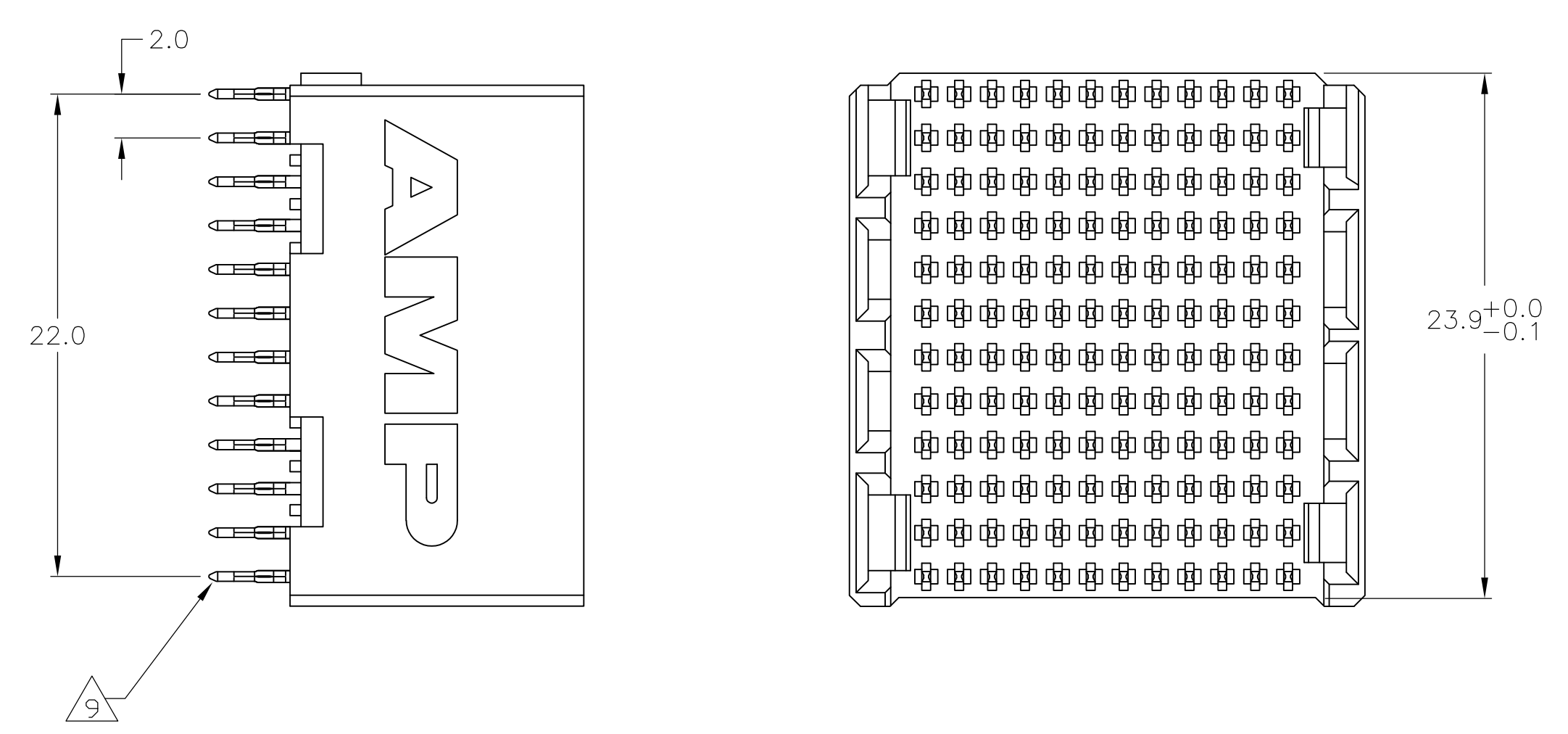
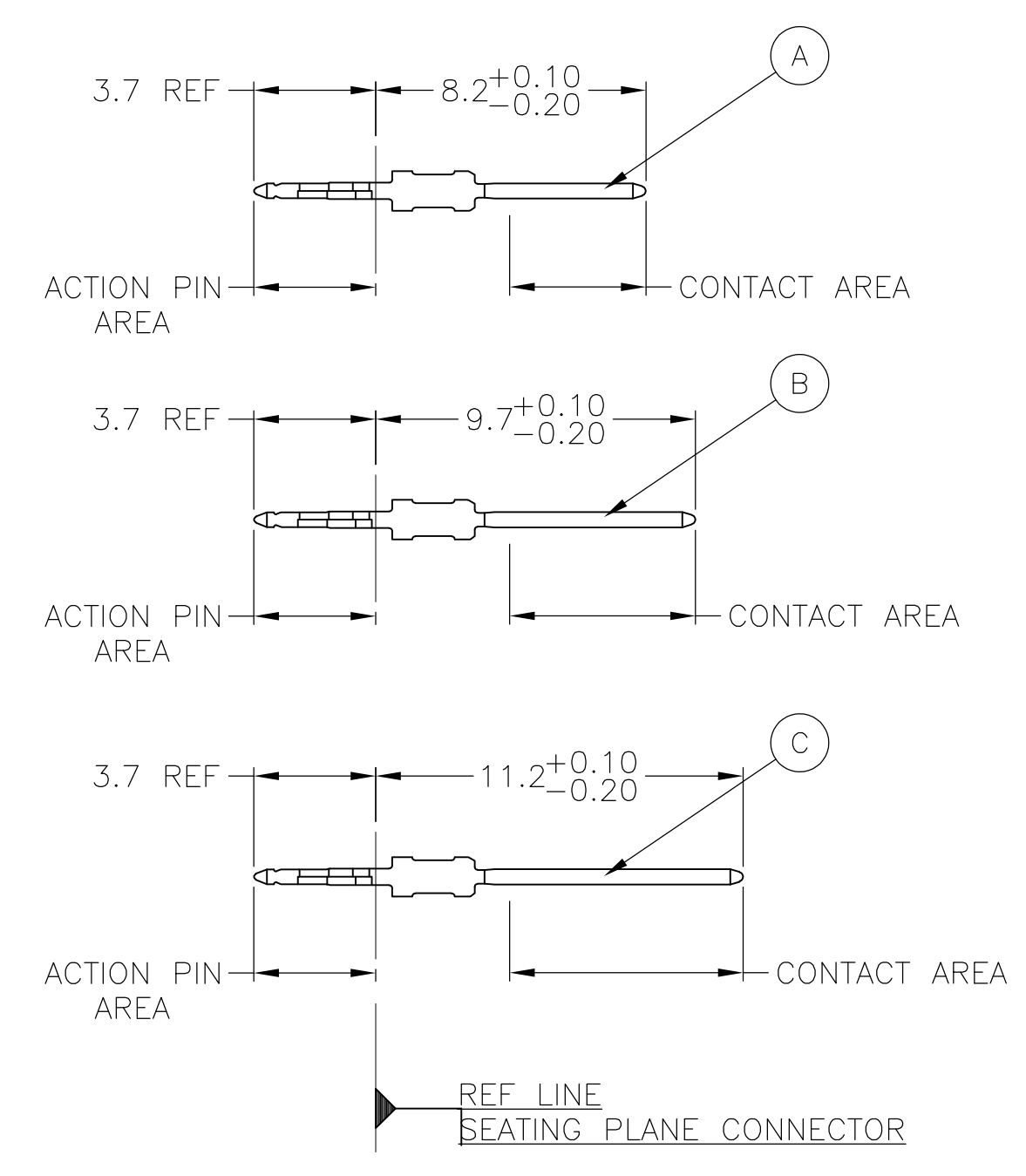


LOC		DIST		REVISIONS			
AD	00	P	LTR	DESCRIPTION	DATE	DWN	APVD
C				ECR-12-007782	26APR12	AZ	AC

CONNECTOR ASSEMBLY EXAMPLARY LOADED $\triangle 8$



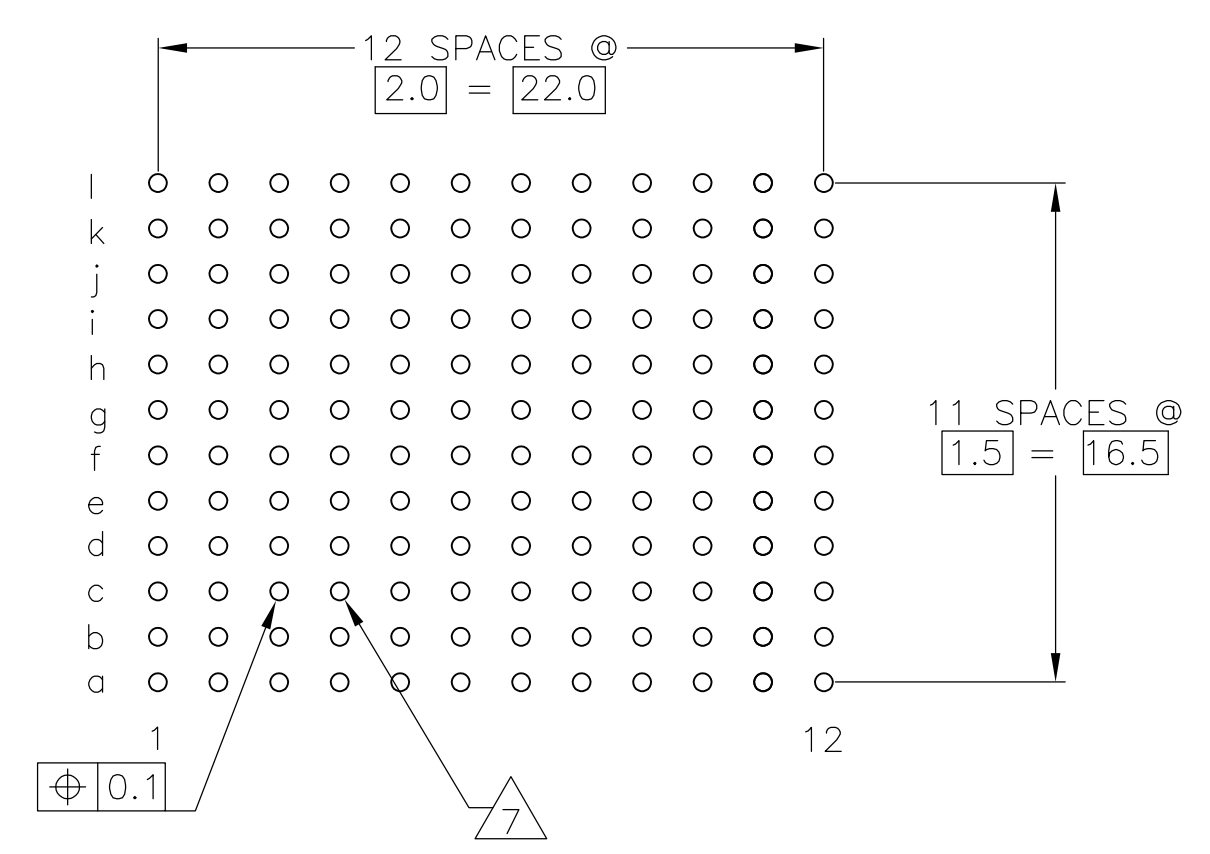
CONTACT DIMENSIONS SCALE 5:1



CONTACT LAYOUT

	a	b	c	d	e	f	g	h	i	j	k	l
1	B	B	B	B	C	A	B	C	B	B	B	B
2	B	B	B	B	C	B	B	C	B	B	B	B
3	B	B	B	B	C	B	B	C	B	B	B	B
4	B	B	B	B	C	B	B	C	B	B	B	B
5	B	B	B	B	C	B	B	C	B	B	B	B
6	B	B	B	B	C	B	B	C	B	B	B	B
7	B	B	B	B	C	B	B	C	B	B	B	B
8	B	B	B	B	C	B	B	C	B	B	B	B
9	B	B	B	B	C	B	B	C	B	B	B	B
10	B	B	B	B	C	B	B	C	B	B	B	B
11	B	B	B	B	C	B	B	C	B	B	B	B
12	B	B	B	B	C	B	A	C	B	B	B	B

RECOMMENDED PCB-HOLE LAYOUT COMPONENT SIDE SHOWN



PLATED THRU HOLES PARAMETERS REFERENCE APPLICATION SPECIFICATION

$\triangle 2$ $\triangle 6$ $\triangle 11$	1-5120652-9
$\triangle 2$ $\triangle 5$ $\triangle 11$	5120652-9
$\triangle 2$ $\triangle 4$	5120652-4
$\triangle 2$ $\triangle 3$	5120652-1
FINISH	PART NUMBER

THIS DRAWING IS A CONTROLLED DOCUMENT.		DIN B CARBO 26MAY05	Tyco Electronics Corporation	
DIMENSIONS: mm		CIK G SKIPPER 26MAY05	Harrisburg, Pa 17105-3608	
TOLERANCES UNLESS OTHERWISE SPECIFIED:		APVD G SKIPPER 26MAY05	NAME	
0. PLC	± -	PRODUCT SPEC		
1. PLC	± 0.1	108-1738		
2. PLC	± -	APPLICATION SPEC		
3. PLC	± -	114-1132		
4. PLC	± -	SIZE		
ANGLES	± -	CAGE CODE DRAWING NO		
MATERIAL $\triangle 1$	FINISH SEE TABLE	WEIGHT -	A1 00779	5120652
		CUSTOMER DRAWING		RESTRICTED TO
		SCALE 4:1		SHEET 1 OF 2
				REV C

- 1 MATERIAL:
CONTACT: PHOSPHOR BRONZE.
HOUSING: GLASS-FILLED POLYESTER.
- 2 GENERAL PLATING SPECIFICATION: UNDERPLATING
(ENTIRE CONTACT): 1.27µm MIN NICKEL AND ACTION
PIN: 0.5µm MIN TIN.
FOR PLATING OF MATING SURFACES SEE APPLICABLE
SPECIFICATION REFERENCE FOR EACH DASH NUMBER.
- 3 CONFORMS TO ALL TESTING ACCORDING TO IEC 61076-4-101
PERFORMANCE LEVEL 2.
- 4 CONFORMS TO ALL TESTING ACCORDING TO IEC 61076-4-101
PERFORMANCE LEVEL 1.
- 5 CONNECTOR TESTED AND QUALIFIED AGAINST TELCORDIA GR-1217-CORE QUALITY LEVEL 3,
CENTRAL OFFICE APPLICATIONS.
- 6 CONNECTOR TESTED AND QUALIFIED AGAINST TELCORDIA GR-1217-CORE QUALITY LEVEL 3,
UNCONTROLLED ENVIROMENT APPLICATIONS.
- 7 PLATED-THROUGH HOLES AT 2x2mm SQUARE GRID
PATTERN DEFINED BY CONTACT LAYOUT.
- 8 FOR ACTUAL PIN LOADING SEE "CONTACT LAYOUT".
- 9 FOR ACTUAL PIN DIMENSIONS SEE "CONTACT DIMENSIONS".
- 10 TO BE MEASURED AT BOTTOM OF SHROUD.
- 11 CONNECTOR LUBRICATED WITH BELCORE APPROVED LUBRICANT,
TECHNICAL REFERENCE: TR-NWT-001217 ISSUE 1, SEP 1992.

THIS DRAWING IS A CONTROLLED DOCUMENT.		DIN E CARBO	26MAY05	tyco Electronics	Tyco Electronics Corporation Harrisburg, Pa 17105-3608	
		CHK G SKIPPER	26MAY05			
DIMENSIONS: mm		TOLERANCES UNLESS OTHERWISE SPECIFIED:		APVD G SKIPPER	NAME	
		0 PLC	± -	PRODUCT SPEC	MALE ASSEMBLY, Z-PACK 2mm HM, TYPE B, 12 ROW	
		1 PLC	± 0.1	108-1738		
		2 PLC	± -	APPLICATION SPEC		
		3 PLC	± -	114-1132		
		4 PLC	± -	SIZE	CAGE CODE	DRAWING NO
		ANGLES	± -	A1	00779	5120652
MATERIAL SEE SHEET 1	FINISH SEE SHEET 1	WEIGHT	-	CUSTOMER DRAWING		RESTRICTED TO
				SCALE	4:1	SHEET 2 OF 2
						REV C

X-ON Electronics

Largest Supplier of Electrical and Electronic Components

Click to view similar products for [Hard Metric Connectors](#) category:

Click to view products by [TE Connectivity](#) manufacturer:

Other Similar products are found below :

[10146110-VR5C](#) [6345127-1](#) [646916-9](#) [6469658-1](#) [853016](#) [973108](#) [1-2000713-0](#) [1-2000713-2](#) [1-2000713-3](#) [120646-1](#) [134187](#) [1645343-1](#)
[1645456-1](#) [1645564-3](#) [1645594-1](#) [1645601-1](#) [1934822-1](#) [2000829-2](#) [2000985-2](#) [223085-1](#) [278071110010833](#) [1645179-1](#) [1645245-1](#)
[1645457-1](#) [1645525-1](#) [1645570-1](#) [1645596-1](#) [17-8072-125-000-863+](#) [1857470-1](#) [1934275-1](#) [1934289-1](#) [1934759-1](#) [2000670-2](#) [2000673-1](#)
[2000843-2](#) [2000984-2](#) [204975](#) [2170292-2](#) [2-536642-6](#) [3-100668-0](#) [3-106015-1](#) [352188-1](#) [352629-1](#) [3-646346-0](#) [3-646356-0](#) [3-646457-0](#) [3-646529-0](#) [3-646530-0](#) [5120823-1](#) [5120899-1](#)