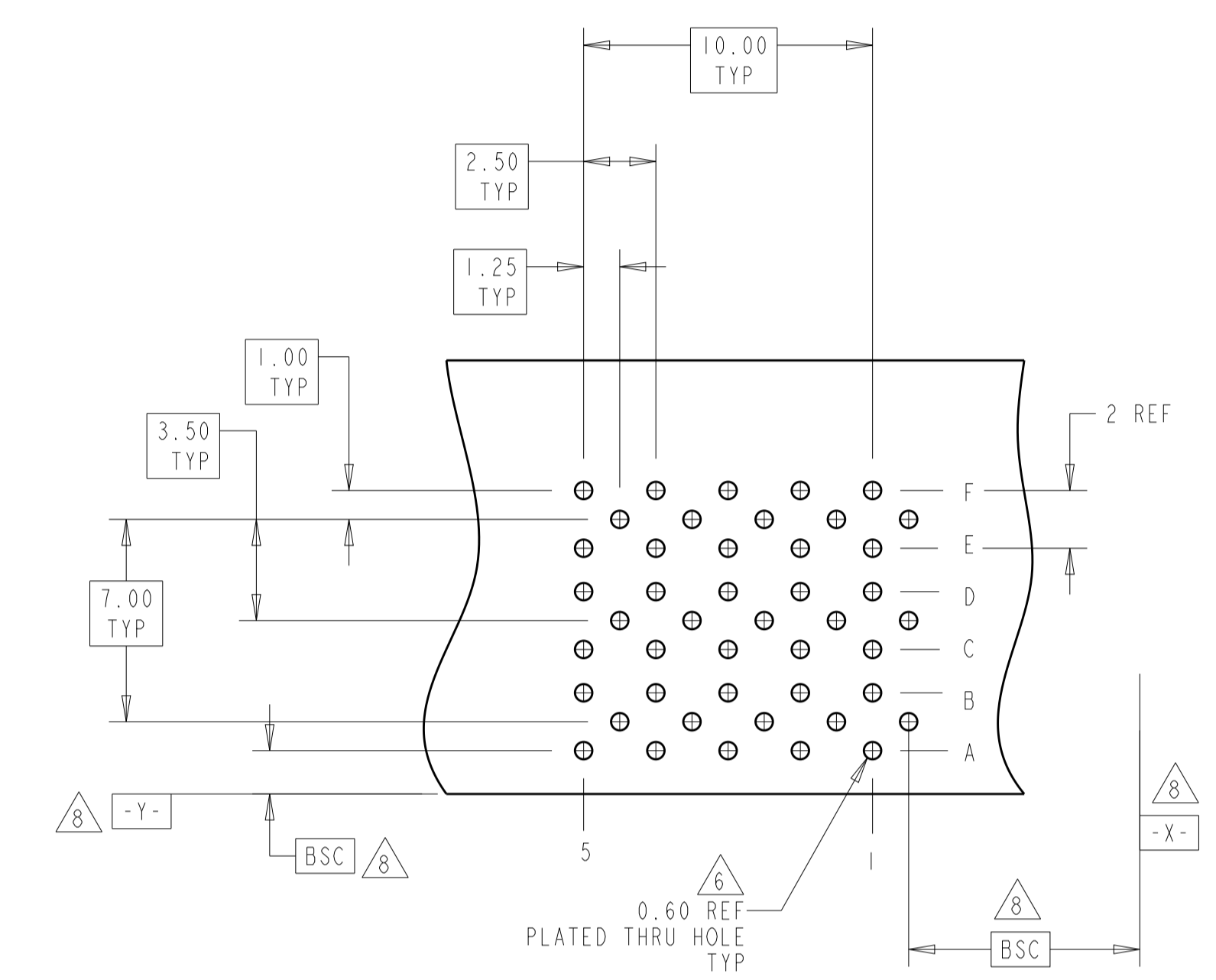
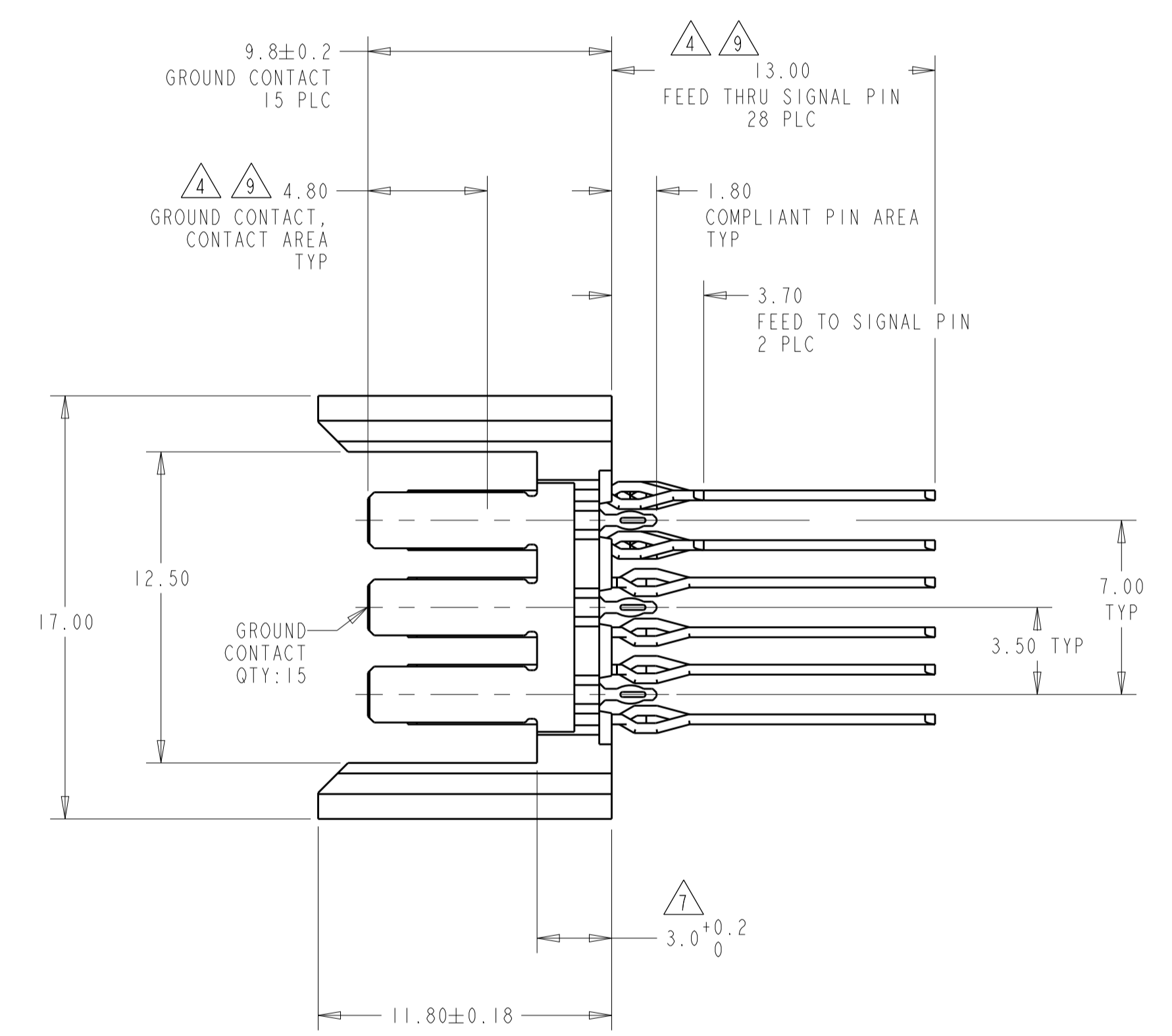
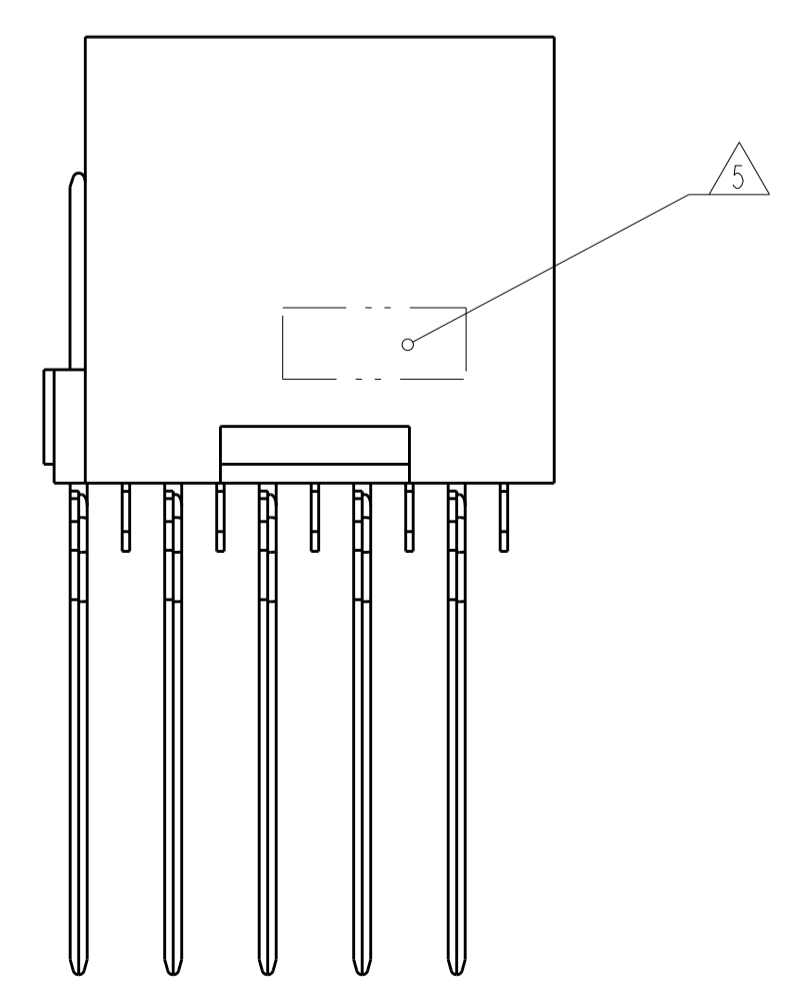
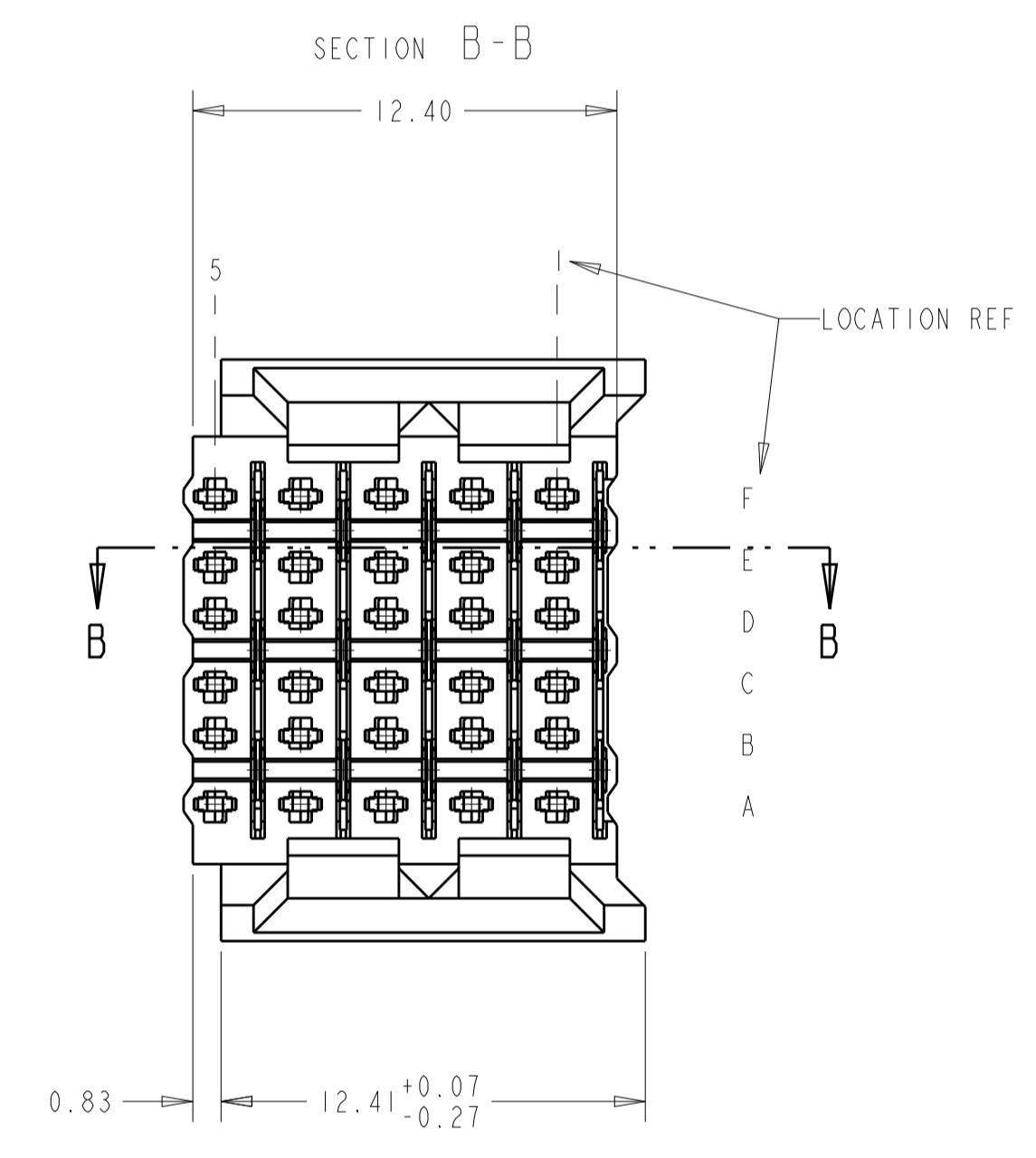
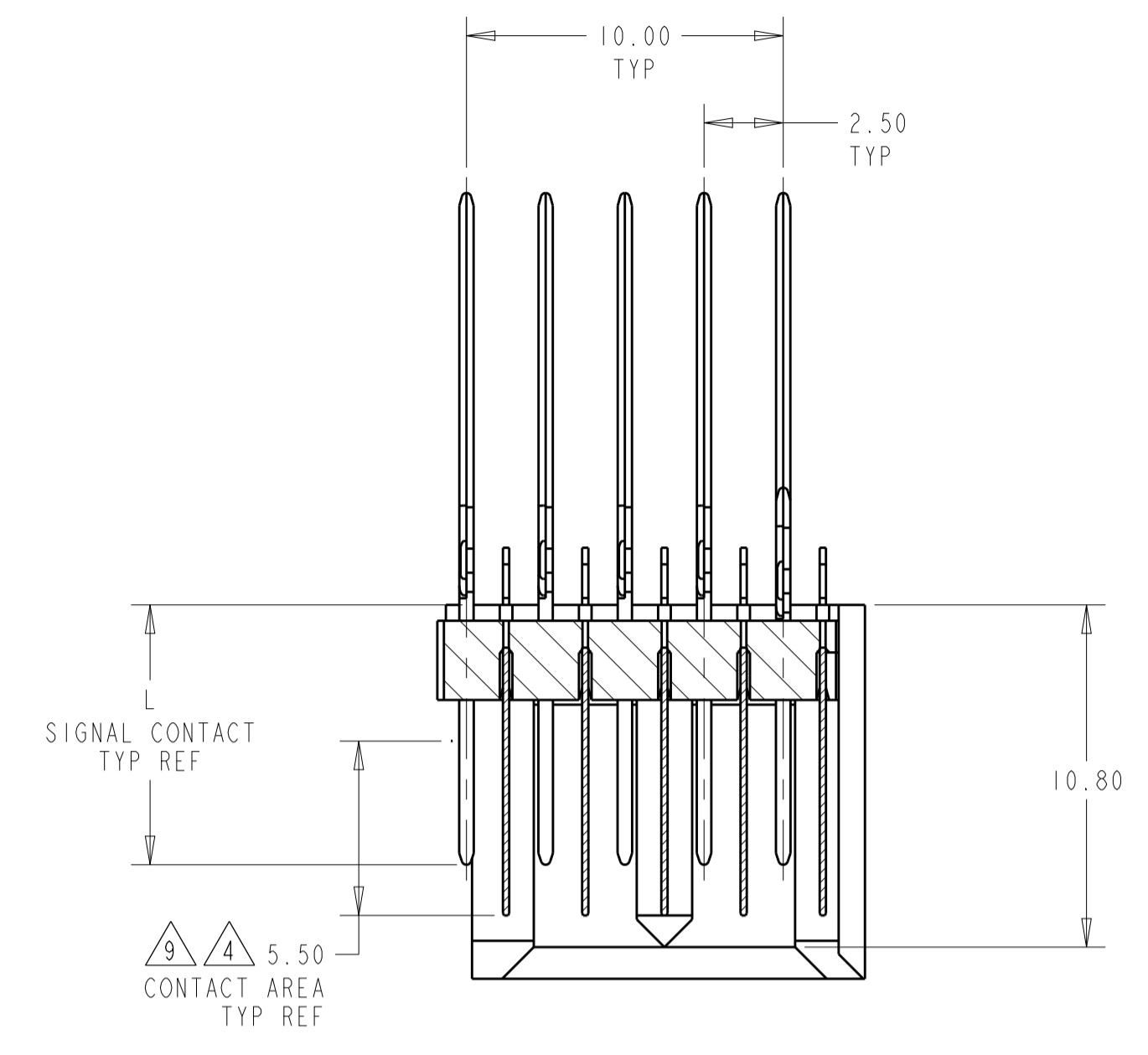
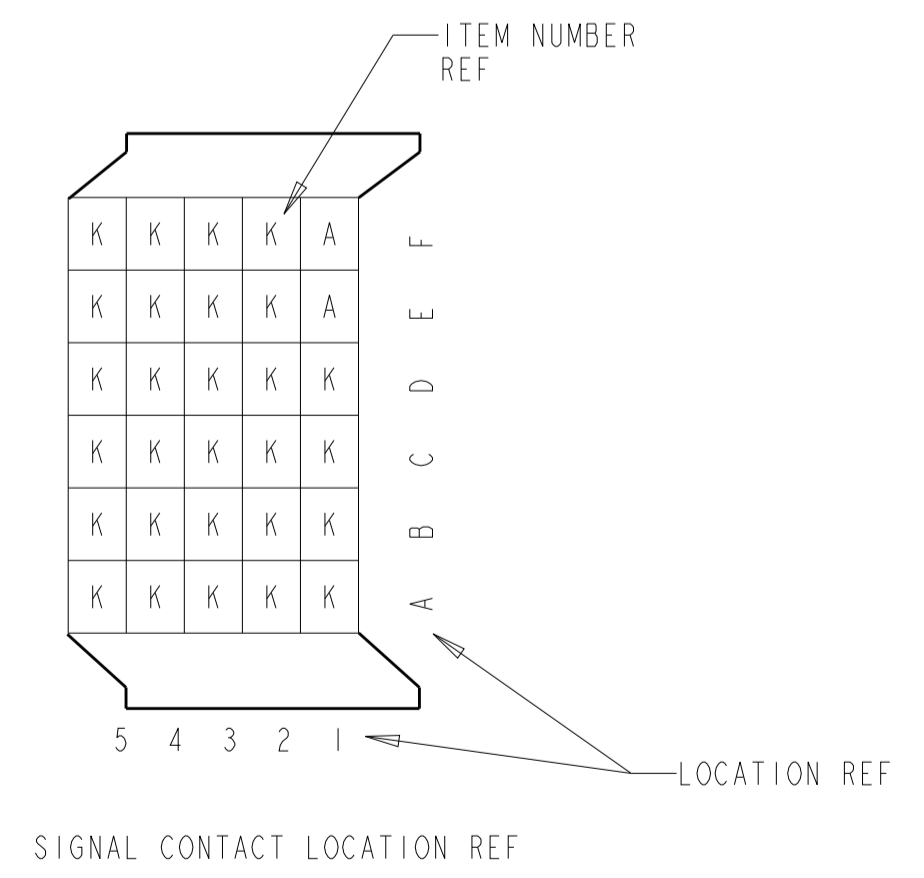


| LOC | | DIST | | REVISIONS | | | |
|-----|----|------|-----|-------------|-----------|-----|------|
| AD | 00 | P | LTN | DESCRIPTION | DATE | DWN | APVD |
| | | A | | RELEASED | 24SEP2012 | - | JE |

- 2 PHOSPHOR BRONZE
- 3 LCP, UL94V-0
- 4 FINISH:
CONTACT MATING AREA MEETS THE PERFORMANCE REQUIREMENTS OF
TE CONNECTIVITY PRODUCT SPECIFICATION 108-1957; BASED ON
TELCORDIA GR-1217-CORE; APPLICATIONS IN UNCONTROLLED ENVIRONMENTS.
COMPLIANT PIN AREA: 0.5µm MIN MATTE TIN OVER BASE PLATING.
- 5 CONNECTOR MARKED WITH PART NUMBER AND DATE CODE
- 6 REFERENCE APPLICATION SPEC 114-13020 FOR RECOMMENDED
PLATED THRU HOLE DIAMETER AND PLATING THICKNESS.
- 7 APPLICATION SEATING HEIGHT TO PRINTED CIRCUIT BOARD
- 8 DATUMS AND BASIC DIMENSIONS ESTABLISHED BY CUSTOMER
- 9 CONTACT AREA LUBRICATED WITH BELLCORE APPROVED LUBRICANT
TECHNICAL REFERENCE: GR-1217-CORE, ISSUE 1, NOVEMBER 1995



RECOMMENDED
PRINTED CIRCUIT BOARD
LAYOUT
COMPONENT SIDE OF PRINTED CIRCUIT BOARD



5120997-1
AMP
PART NUMBER

| | | | |
|---|--|-----------------------------------|--|
| THIS DRAWING IS A CONTROLLED DOCUMENT. | | DWN R. TREA 20FEB2007 | TE Connectivity |
| DIMENSIONS: mm | | CHK R. PATTERSON 20FEB2007 | |
| TOLERANCES UNLESS OTHERWISE SPECIFIED: | | APVD R. PATTERSON 20FEB2007 | NAME HEADER ASSEMBLY, 30 POSITION, FEED THROUGH, 6 ROW, BACKPLANE CONNECTOR, Z-PACK HS3 |
| 0 PLC ± 1 PLC ± 2 PLC ±0.13 3 PLC ±0.05 4 PLC ± ANGLES ± FINISH ± | | PRODUCT SPEC | SIZE A1 |
| MATERIAL HOUSING: 3 | | APPLICATION SPEC | CAGE CODE 00779 |
| CONTACTS: 2 | | WEIGHT | DRAWING NO 5120997 |
| SIGNAL CONTACT: 4 | | CUSTOMER DRAWING | RESTRICTED TO REV A |
| | | SCALE 5:1 | SHEET 1 OF 1 |

X-ON Electronics

Largest Supplier of Electrical and Electronic Components

Click to view similar products for [Hard Metric Connectors](#) category:

Click to view products by [TE Connectivity](#) manufacturer:

Other Similar products are found below :

[10146110-VR5C](#) [6345127-1](#) [646916-9](#) [6469658-1](#) [853016](#) [973108](#) [1-2000713-0](#) [1-2000713-2](#) [1-2000713-3](#) [120646-1](#) [134187](#) [1645343-1](#)
[1645456-1](#) [1645564-3](#) [1645594-1](#) [1645601-1](#) [1934822-1](#) [2000829-2](#) [2000985-2](#) [223085-1](#) [278071110010833](#) [1645179-1](#) [1645245-1](#)
[1645457-1](#) [1645525-1](#) [1645570-1](#) [1645596-1](#) [17-8072-125-000-863+](#) [1857470-1](#) [1934275-1](#) [1934289-1](#) [1934759-1](#) [2000670-2](#) [2000673-1](#)
[2000843-2](#) [2000984-2](#) [204975](#) [2170292-2](#) [2-536642-6](#) [3-100668-0](#) [3-106015-1](#) [352188-1](#) [352629-1](#) [3-646346-0](#) [3-646356-0](#) [3-646457-0](#) [3-646529-0](#) [3-646530-0](#) [5120823-1](#) [5120899-1](#)