

4

3

2

1

THIS DRAWING IS UNPUBLISHED. RELEASED FOR PUBLICATION 20  
 © COPYRIGHT 20 Tyco Electronics AMP GmbH ALL RIGHTS RESERVED.

LOC	DIST	REVISIONS				
P	LTR	DESCRIPTION	DATE	DWN	APVD	
F	00	G	CLARIFICATIONS	30JUN2009	JT	YP
		H	13 WAS 11.9 MAX. UPDATE NOTE 5 AND FORMAT	20OCT2011	JT	YP

Top view of the floating bushing. Dimensions: G (total length), H (height), and two holes with diameter  $\varnothing 3.05 \pm 0.13$ .

Cross-section view of the bushing with a grommet. Dimensions: M (width of bushing), K (width of grommet), and 13 MAX (width of grommet).

Side view of the bushing. Dimensions: A (total length), B (length of central section), C (length of outer section), D (height), and E (height of central section).


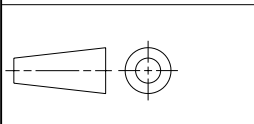
Detailed view of the bushing. Dimensions:  $3.05 \pm 0.25$ ,  $0.80 \pm 0.13$ , and  $\varnothing 2.18 \pm 0.12$  for two holes.

10.90	6.17	55.32	13.56	15.37	10.74	61.11	52.43	66.93	RECEPTACLE WITH #20 SOCKET CONTACTS	50	5	MDP308GF - 50S2	6-135760-0
10.90	6.17	57.71	10.72	12.55	7.90	63.50	54.84	69.32	RECEPTACLE WITH #20 SOCKET CONTACTS	37	4	MDP308GF - 37S2	9-135760-5
10.90	6.17	41.30	10.72	12.55	7.90	47.04	38.38	53.04	RECEPTACLE WITH #20 SOCKET CONTACTS	25	3	MDP308GF - 25S2	5-135760-9
10.90	6.17	27.51	10.72	12.55	7.90	33.32	24.66	39.14	RECEPTACLE WITH #20 SOCKET CONTACTS	15	2	MDP308GF - 15S2	5-135760-8
10.90	6.17	19.28	10.72	12.55	7.90	24.99	16.33	30.81	RECEPTACLE WITH #20 SOCKET CONTACTS	9	1	MDP308GF - 9S2	9-135760-4
M±0.25	K±0.13	G±0.25	H±0.25	E±0.38	D±0.13	C±0.13	B±0.13	A±0.38	DESCRIPTION	NB POS.	SIZE	OLD P/N	P/N 2

SCALE 6:1

SEE NOTES ON LAST SHEET

FLOATING BUSHING

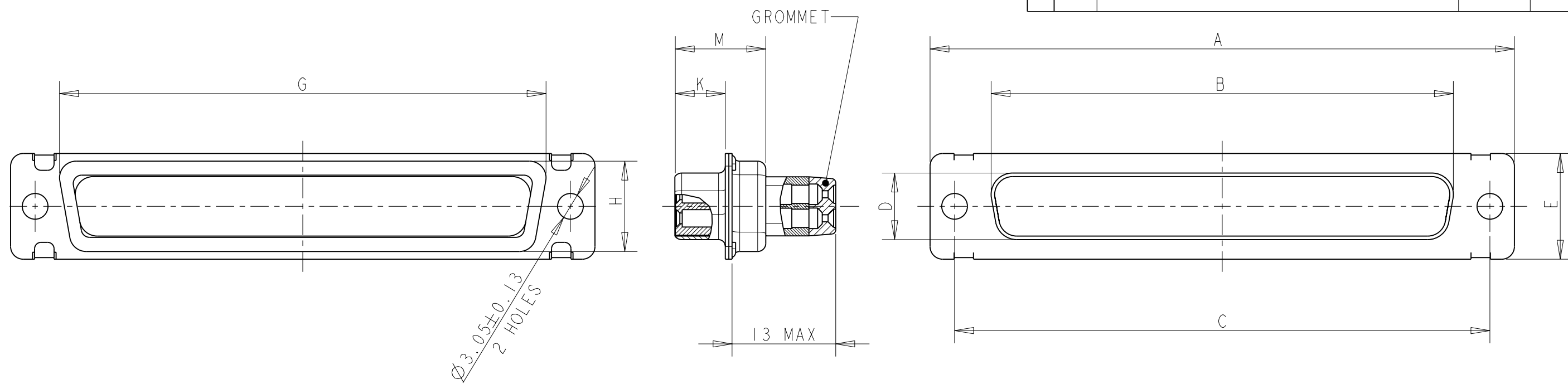
THIS DRAWING IS A CONTROLLED DOCUMENT.		DWN Thierry CORRIOU 21APR2004	 TE Connectivity		
DIMENSIONS: mm		CHK Yves PETRONIN 21APR2004			
TOLERANCES UNLESS OTHERWISE SPECIFIED:		APVD Miguel FURIO 21APR2004	NAME SUB D RECEPTACLE WITH WIRE BUSHING MDP TYPE		
		PRODUCT SPEC -	RESTRICTED TO		
MATERIAL NOTE 3		APPLICATION SPEC NOTE 7	SIZE A3	CAGE CODE 00779	DRAWING NO C-135760
FINISH NOTE 4		WEIGHT -	SCALE 2:1 SHEET 1 OF 5 REV H		
		CUSTOMER DRAWING			

1470-19 (3/11)

Pr o/ENGINEER DRAWING

THIS DRAWING IS UNPUBLISHED. RELEASED FOR PUBLICATION 20  
 © COPYRIGHT 20 Tyco Electronics AMP GmbH ALL RIGHTS RESERVED.

LOC	DIST	REVISIONS				
P	LTR	DESCRIPTION	DATE	DWN	APVD	
F	00	-	SEE SHEET 1	-	-	



10.90	6.17	58.47	15.14	16.97	12.32	63.65	55.60	69.32	RECEPTACLE WITH #22 SOCKET CONTACTS	104	6	MDP308G - 66104S2	7-135760-9
10.90	6.17	55.32	13.56	15.37	10.74	61.11	52.43	66.93	RECEPTACLE WITH #22 SOCKET CONTACTS	78	5	MDP308G - 5078S2	9-135760-3
10.90	6.17	57.71	10.72	12.55	7.90	63.50	54.84	69.32	RECEPTACLE WITH #22 SOCKET CONTACTS	62	4	MDP308G - 3762S2	9-135760-1
10.90	6.17	41.30	10.72	12.55	7.90	47.04	38.38	53.04	RECEPTACLE WITH #22 SOCKET CONTACTS	44	3	MDP308G - 2544S2	6-135760-9
10.90	6.17	27.51	10.72	12.55	7.90	33.32	24.66	39.14	RECEPTACLE WITH #22 SOCKET CONTACTS	26	2	MDP308G - 1526S2	8-135760-8
10.90	6.17	19.28	10.72	12.55	7.90	24.99	16.33	30.81	RECEPTACLE WITH #22 SOCKET CONTACTS	15	1	MDP308G - 915S2	8-135760-6
10.90	6.17	55.32	13.56	15.37	10.74	61.11	52.43	66.93	RECEPTACLE WITH #20 SOCKET CONTACTS	50	5	MDP308G - 50S2	5-135760-7
10.90	6.17	57.71	10.72	12.55	7.90	63.50	54.84	69.32	RECEPTACLE WITH #20 SOCKET CONTACTS	37	4	MDP308G - 37S2	5-135760-6
10.90	6.17	41.30	10.72	12.55	7.90	47.04	38.38	53.04	RECEPTACLE WITH #20 SOCKET CONTACTS	25	3	MDP308G - 25S2	5-135760-5
10.90	6.17	27.51	10.72	12.55	7.90	33.32	24.66	39.14	RECEPTACLE WITH #20 SOCKET CONTACTS	15	2	MDP308G - 15S2	8-135760-3
10.90	6.17	19.28	10.72	12.55	7.90	24.99	16.33	30.81	RECEPTACLE WITH #20 SOCKET CONTACTS	9	1	MDP308G - 9S2	5-135760-4
M±0.25	K±0.13	G±0.25	H±0.25	E±0.38	D±0.13	C±0.13	B±0.13	A±0.38	DESCRIPTION	NB POS.	SIZE	OLD P/N	P/N 2

SEE NOTES ON LAST SHEET

THIS DRAWING IS A CONTROLLED DOCUMENT.

DIMENSIONS: mm

TOLERANCES UNLESS OTHERWISE SPECIFIED:

0 PLC	±0.13
1 PLC	±0.13
2 PLC	±0.13
3 PLC	±
4 PLC	±
ANGLES	±1
FINISH	NOTE 4

MATERIAL NOTE 3

APVD: Thierry CORRIOU (21APR2004), Yves PETRONIN (21APR2004), Miguel FURIO (21APR2004)

CHK: Yves PETRONIN

NAME: SUB D RECEPTACLE WITH WIRE BUSHING MDP TYPE

PRODUCT SPEC: [Symbol]

APPLICATION SPEC: NOTE 7

WEIGHT: -

CUSTOMER DRAWING

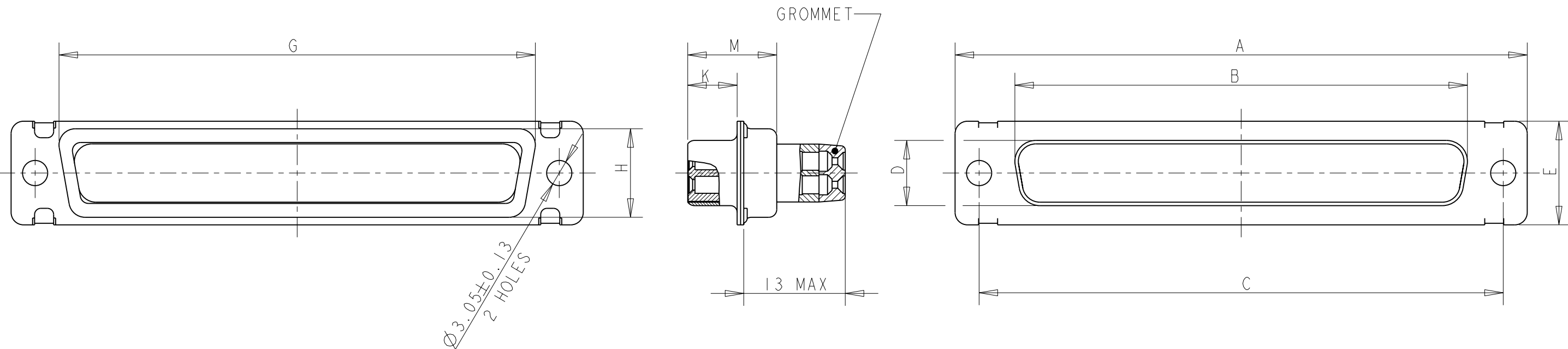
STE TE Connectivity

SIZE: A3, CAGE CODE: 00779, DRAWING NO: 135760

RESTRICTED TO: -

SCALE: 2:1, SHEET: 2 OF 5, REV: H

LOC	DIST	REVISIONS			
P	LTR	DESCRIPTION	DATE	DWN	APVD
F	00	-	SEE SHEET 1	-	-



10.90	6.17	58.47	15.14	16.97	12.32	63.65	55.60	69.32	RECEPTACLE, HIGH DENSITY	104	6	MDP308G - 66104S2 - 001	8-135760-0
10.90	6.17	55.32	13.56	15.37	10.74	61.11	52.43	66.93	RECEPTACLE, HIGH DENSITY	78	5	MDP308G - 5078S2 - 001	9-135760-2
10.90	6.17	57.71	10.72	12.55	7.90	63.50	54.84	69.32	RECEPTACLE, HIGH DENSITY	62	4	MDP308G - 3762S2 - 001	9-135760-0
10.90	6.17	41.30	10.72	12.55	7.90	47.04	38.38	53.04	RECEPTACLE, HIGH DENSITY	44	3	MDP308G - 2544S2 - 001	8-135760-9
10.90	6.17	27.51	10.72	12.55	7.90	33.32	24.66	39.14	RECEPTACLE, HIGH DENSITY	26	2	MDP308G - 1526S2 - 001	8-135760-7
10.90	6.17	19.28	10.72	12.55	7.90	24.99	16.33	30.81	RECEPTACLE, HIGH DENSITY	15	1	MDP308G - 915S2 - 001	8-135760-5
10.90	6.17	55.32	13.56	15.37	10.74	61.11	52.43	66.93	RECEPTACLE	50	5	MDP308G - 50S2 - 001	4-135760-5
10.90	6.17	57.71	10.72	12.55	7.90	63.50	54.84	69.32	RECEPTACLE	37	4	MDP308G - 37S2 - 001	4-135760-4
10.90	6.17	41.30	10.72	12.55	7.90	47.04	38.38	53.04	RECEPTACLE	25	3	MDP308G - 25S2 - 001	4-135760-6
10.90	6.17	27.51	10.72	12.55	7.90	33.32	24.66	39.14	RECEPTACLE	15	2	MDP308G - 15S2 - 001	4-135760-3
10.90	6.17	19.28	10.72	12.55	7.90	24.99	16.33	30.81	RECEPTACLE	9	1	MDP308G - 9S2 - 001	4-135760-2
M±0.25	K±0.13	G±0.25	H±0.25	E±0.38	D±0.13	C±0.13	B±0.13	A±0.38	DESCRIPTION	NB POS	SIZE	OLD P/N	P/N 2

SEE NOTES ON LAST SHEET

THIS DRAWING IS A CONTROLLED DOCUMENT.

DIMENSIONS: mm	TOLERANCES UNLESS OTHERWISE SPECIFIED:
	0 PLC ±0.13
	1 PLC ±0.13
	2 PLC ±0.13
	3 PLC ±-
	4 PLC ±-
	ANGLES ±1
MATERIAL NOTE 3	FINISH NOTE 4

DWN	21APR2004
CHK	Thierry CORRIOU
APVD	21APR2004
APVD	Yves PETRONIN
APVD	21APR2004
APVD	Miguel FURIO
PRODUCT SPEC	
APPLICATION SPEC	NOTE 7
WEIGHT	-
CUSTOMER DRAWING	

				TE Connectivity	
NAME SUB D RECEPTACLE WITH WIRE BUSHING MDP TYPE					
SIZE	CAGE CODE	DRAWING NO	RESTRICTED TO		
A3	00779	C=135760	-		

THIS DRAWING IS UNPUBLISHED.

RELEASED FOR PUBLICATION

20

© COPYRIGHT 20

Tyco Electronics AMP GmbH

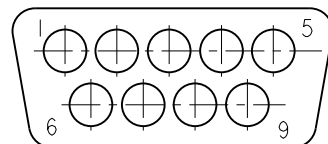
ALL RIGHTS RESERVED.

LOC F DIST 00

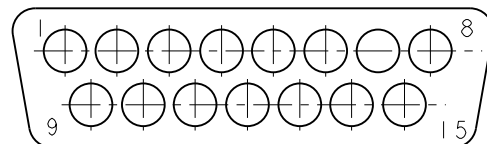
REVISIONS

P	LTR	DESCRIPTION	DATE	DWN	APVD
	-	SEE SHEET 1	-	-	-

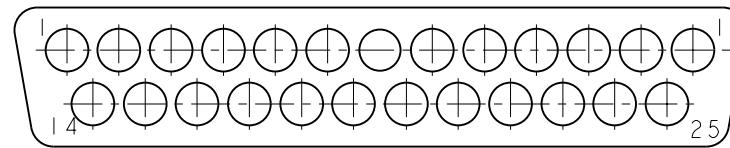
### MATING FACE OF PLUG SHOWN CONFIGURATIONS FOR #20 CONTACTS



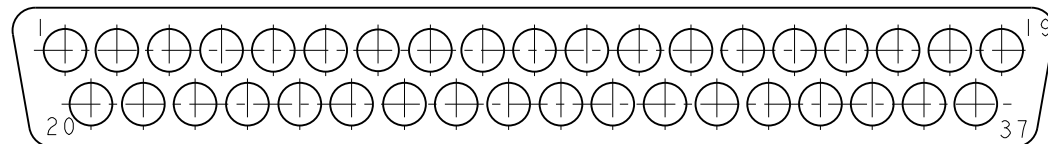
9 POSITION MS18273-1  
SHELL SIZE 1



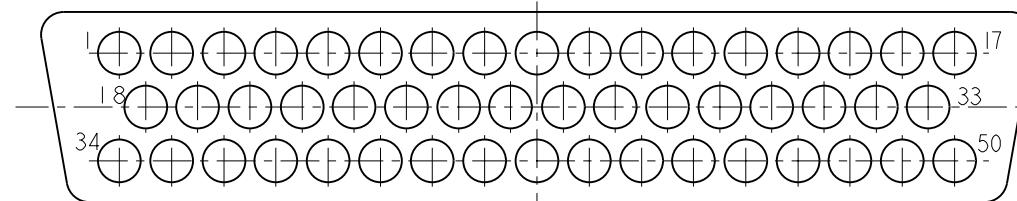
15 POSITION MS18274-1  
SHELL SIZE 2



25 POSITION MS18275-1  
SHELL SIZE 3

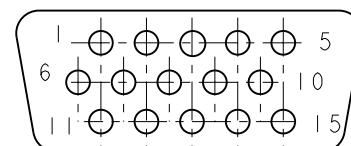


37 POSITION MS18276-1  
SHELL SIZE 4

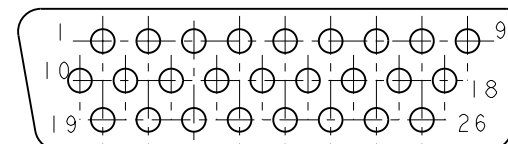


50 POSITION MS18277-1  
SHELL SIZE 5

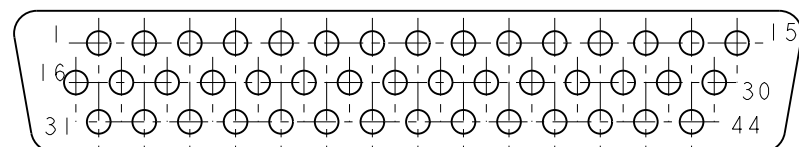
### CONFIGURATIONS FOR #22 CONTACTS MATING FACE OF PLUG SHOWN



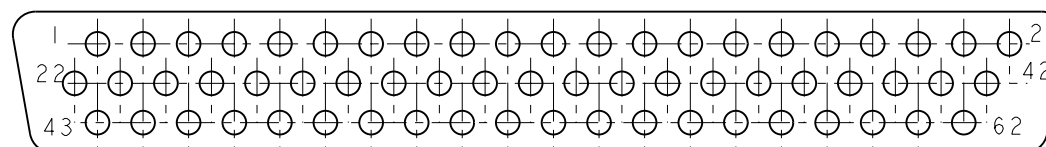
15 POSITION MS18273-2  
SHELL SIZE 1



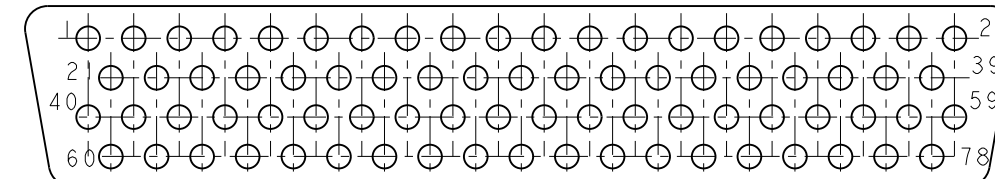
26 POSITION MS18274-2  
SHELL SIZE 2



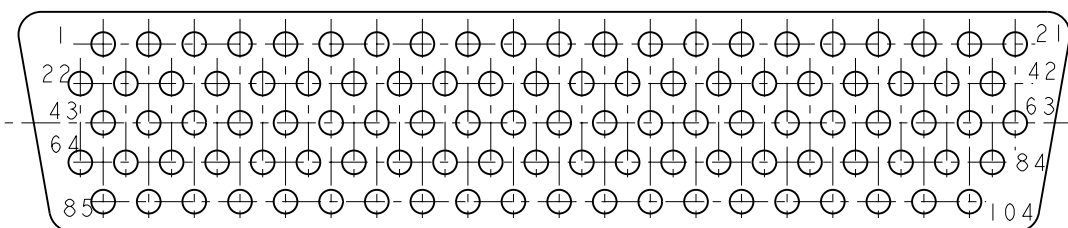
44 POSITION MS18275-2  
SHELL SIZE 3



62 POSITION MS18276-2  
SHELL SIZE 4


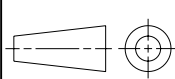


78 POSITION MS18277-2  
SHELL SIZE 5



104 POSITION MS14004-1  
SHELL SIZE 6

SEE NOTES ON LAST SHEET

THIS DRAWING IS A CONTROLLED DOCUMENT.		DWN 21APR2004 Thierry CORRIOU	 TE Connectivity
DIMENSIONS: mm		CHK 21APR2004 Yves PETRONIN	
TOLERANCES UNLESS OTHERWISE SPECIFIED:		APVD 21APR2004 Miguel FURIO	NAME SUB D RECEPTACLE WITH WIRE BUSHING MDP TYPE
		PRODUCT SPEC -	APPLICATION SPEC NOTE 7
MATERIAL NOTE 3		FINISH NOTE 4	SIZE A3
		WEIGHT -	CAGE CODE 00779
		CUSTOMER DRAWING	DRAWING NO 135760
		SCALE 1:1	RESTRICTED TO -
		SHEET 4	OF 5
		REV H	

THIS DRAWING IS UNPUBLISHED.      RELEASED FOR PUBLICATION      20

© COPYRIGHT 20      Tyco Electronics AMP GmbH      ALL RIGHTS RESERVED.

LOC	DIST	REVISIONS					
		P	LTR	DESCRIPTION	DATE	DWN	APVD
F	00		-	SEE SHEET 1	-	-	-

1 THIS CONNECTOR MEETS THE REQUIREMENTS OF MIL-DTL-24308

2 PART NUMBER FOR ORDERING

3- MATERIALS :

- SHELL : STEEL,CD PLATED
- HOUSING : PBT,GLASS FILLED,UL94VO
- RETAINING CLIP : STAINLESS STEEL
- GROMMET AND INTERFACIAL SEAL : FLUOROSILICONE ELASTOMER
- SEALING COMPOUND : RTV
- CONTACT:COPPER ALLOY,GOLD PLATED OVER NICKEL

4- CABLES EXTERNAL DIAMETER FOR CONTACTS #20 :  $\varnothing 0.85$  to  $\varnothing 1.83$   
 CABLES EXTERNAL DIAMETER FOR CONTACTS #22 :  $\varnothing 1.37$  MAX

5- CONNECTOR MARKING:

- . MANUFACTURER IDENTIFICATION
- . PART NUMBER
- . DATE-CODE

6- INSERT ARRANGEMENT PER MIL-DTL-24308


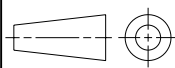
7- FOR CONTACT CRIMPING INSTRUCTION SHEET REFER TO SPEC IS 7516  
 FOR CONTACT INSTALATION/ REMOVAL INSTRUCTION SHEET REFER TO SPEC IS 7508

8- #20 SOCKET CRIMP CONTACT P/N: 205090-1  
 #20 PIN CRIMP CONTACT P/N: 205089-1

#22D SOCKET CRIMP CONTACT P/N: 204351-1  
 #22D PIN CRIMP CONTACT P/N: 204370-2

9- INSERTION/EXTRACTION TOOL P/N: 91067-2  
 INSERTION/EXTRACTION TOOL P/N: 91067-1

10- CRIMP WITH HAND TOOL: 601966-1+ DIE INSERT : 601966-4  
 CRIMP WITH HAND TOOL: M22520/02-01 + POSITIONNER : M22520/02-06

THIS DRAWING IS A CONTROLLED DOCUMENT.		DWN Thierry CORRIOU 21APR2004	 TE Connectivity		
DIMENSIONS: mm		CHK Yves PETRONIN 21APR2004			
TOLERANCES UNLESS OTHERWISE SPECIFIED:		APVD Miguel FURIO 21APR2004	NAME SUB D RECEPTACLE WITH WIRE BUSHING MDP TYPE		
		PRODUCT SPEC -	RESTRICTED TO		
0 PLC ±0.13 1 PLC ±0.13 2 PLC ±0.13 3 PLC ± 4 PLC ± ANGLES ±1		APPLICATION SPEC NOTE 7	SIZE A3	CAGE CODE 00779	DRAWING NO C-135760
MATERIAL NOTE 3	FINISH NOTE 4	WEIGHT -	SCALE 1:1 SHEET 5 OF 5 REV H		
		CUSTOMER DRAWING			

## X-ON Electronics

Largest Supplier of Electrical and Electronic Components

*Click to view similar products for [D-Sub MIL Spec Connectors](#) category:*

*Click to view products by [TE Connectivity](#) manufacturer:*

Other Similar products are found below :

[M85049/50-5F](#) [D38999/24WG11PB-LC](#) [MDM-9SH006A](#) [1218697-4](#) [D38999/26WJ61PC L/C](#) [1484349-1](#) [17D25HV](#) [1996840-1](#) [243082-15](#)  
[1757682-1](#) [17D-E51218-1](#) [17SDA15S](#) [1883533-1](#) [1883886-1](#) [1883889-1](#) [192900-0377](#) [M24308/8-347](#) [M83513/03-E09C](#) [443961-3](#) [5-](#)  
[1218949-1](#) [550-031NF1R6K](#) [3-1236089-2](#) [550E001NF1R3J0L](#) [550T001NF1R6K0L](#) [557T283NF5B08](#) [DB121073-56](#) [DC121073157](#)  
[443869-3](#) [443869-4](#) [443869-5](#) [550S004NF1R1B0F03](#) [557E283NF1A06](#) [527-019NF0303R2K1F](#) [5-446405-1](#) [550-031NF1R2E](#)  
[550E003M2R9J0F04](#) [550E003M3R9J0F05](#) [550E024M104R9J0](#) [550E024NF102R3J0B](#) [550E039NF1R3J1-02](#) [550S003M3R9B0F05](#)  
[550S004M4R7M0F04](#) [550S004NF1R1B1F02](#) [550S008M3F0K0F04](#) [550S086M5R3J0L](#) [550S100NF3F0E](#) [550T001M2R7E0L](#)  
[550T001NF1F0B1L](#) [550T001NF1R1K0G](#) [550T001NF1R3K0G](#)