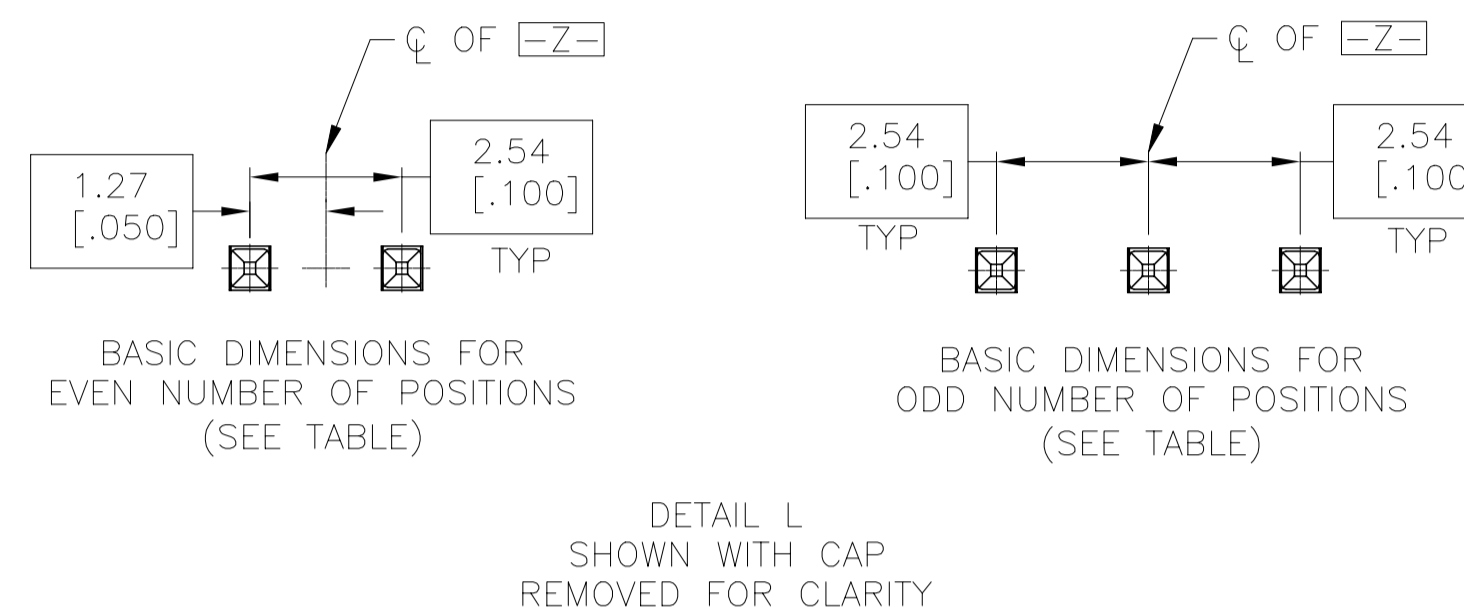
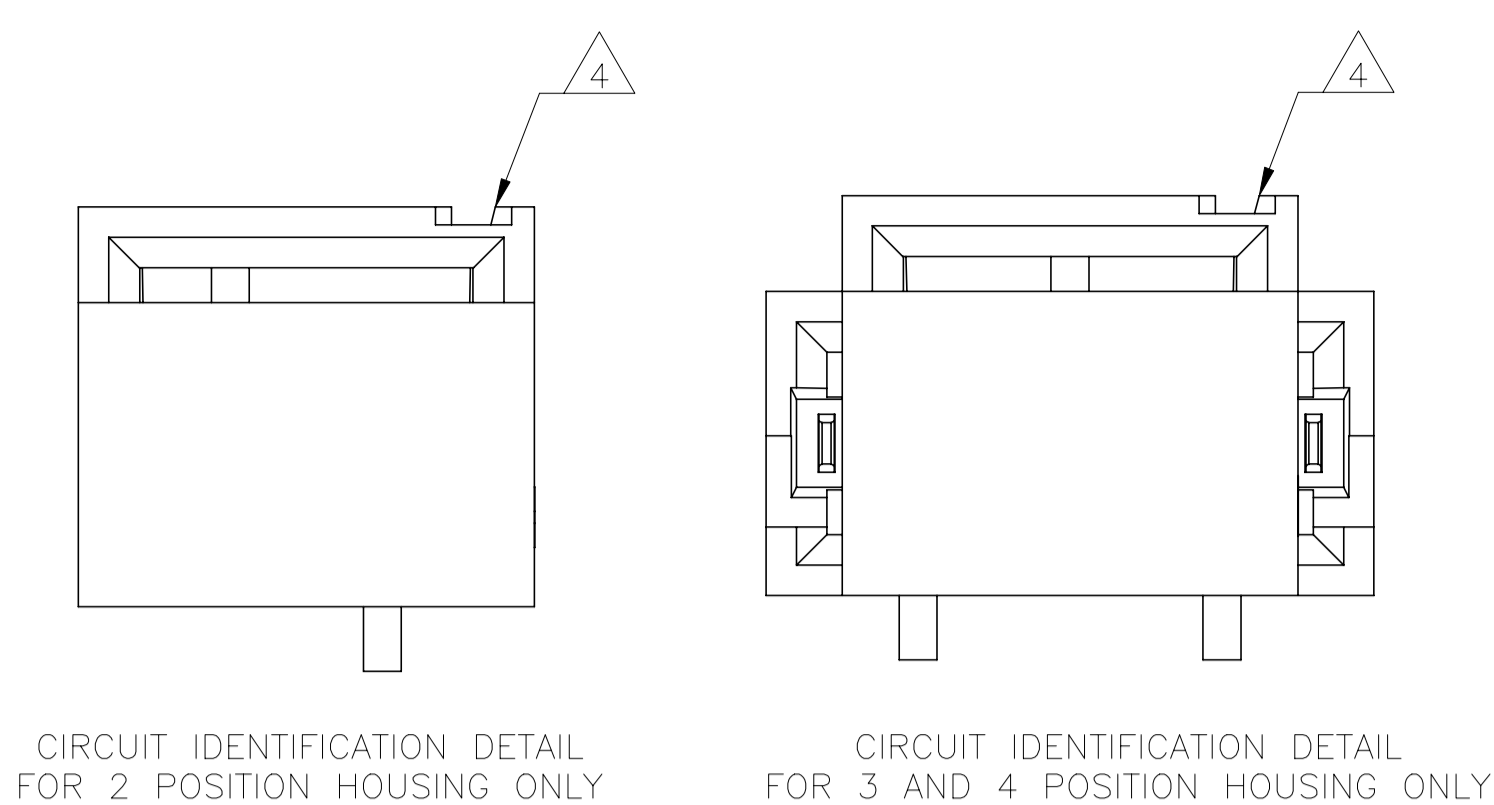
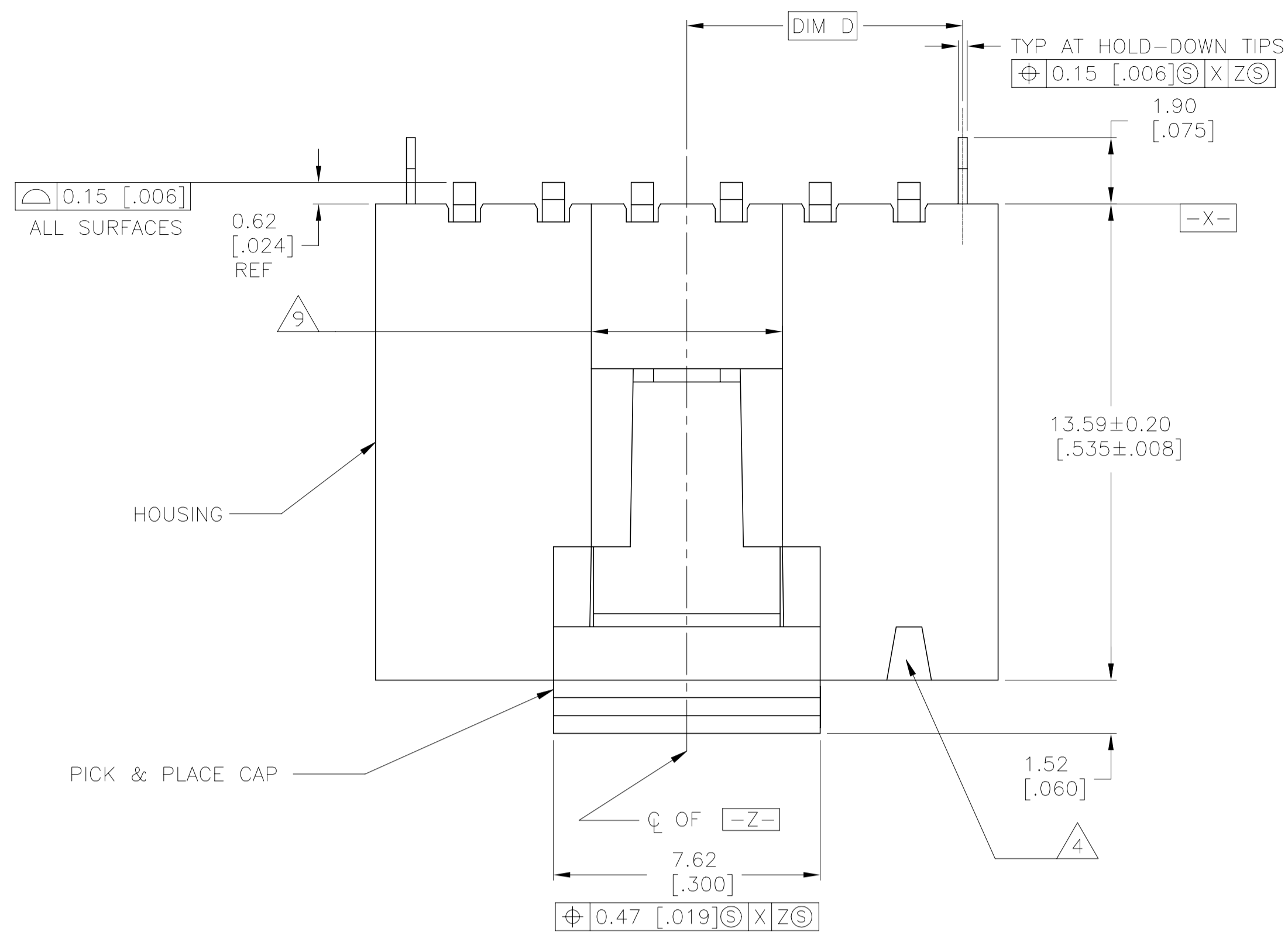
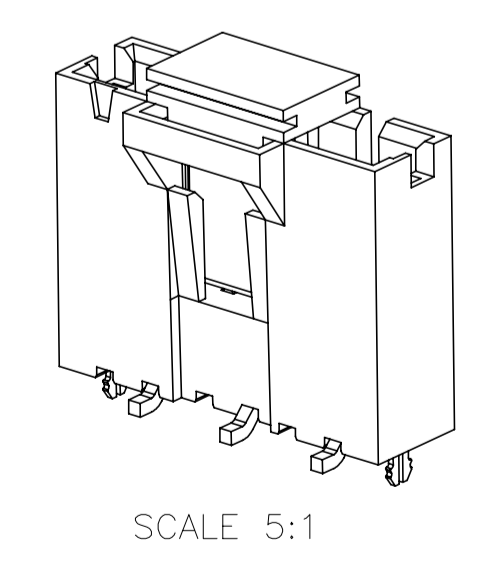
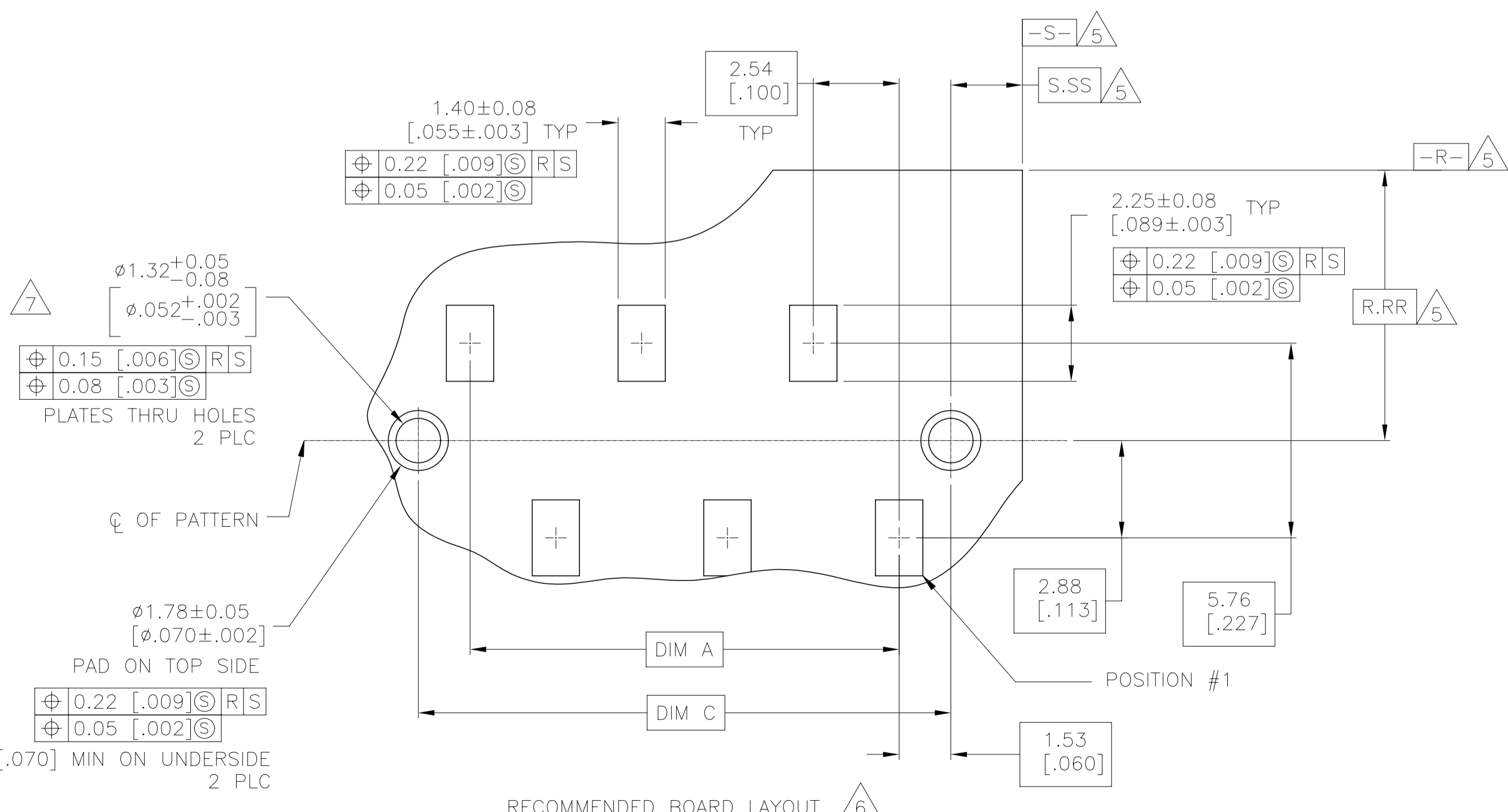
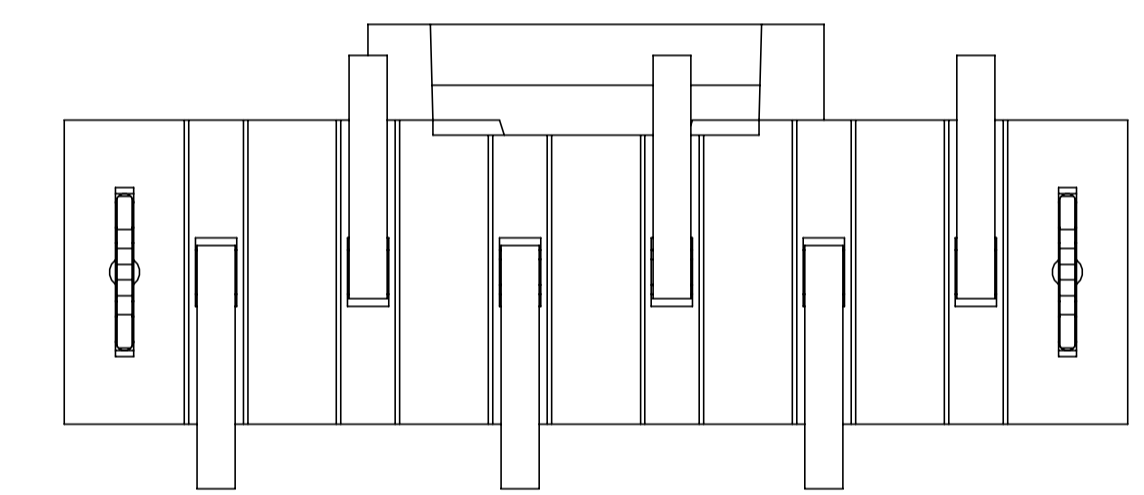
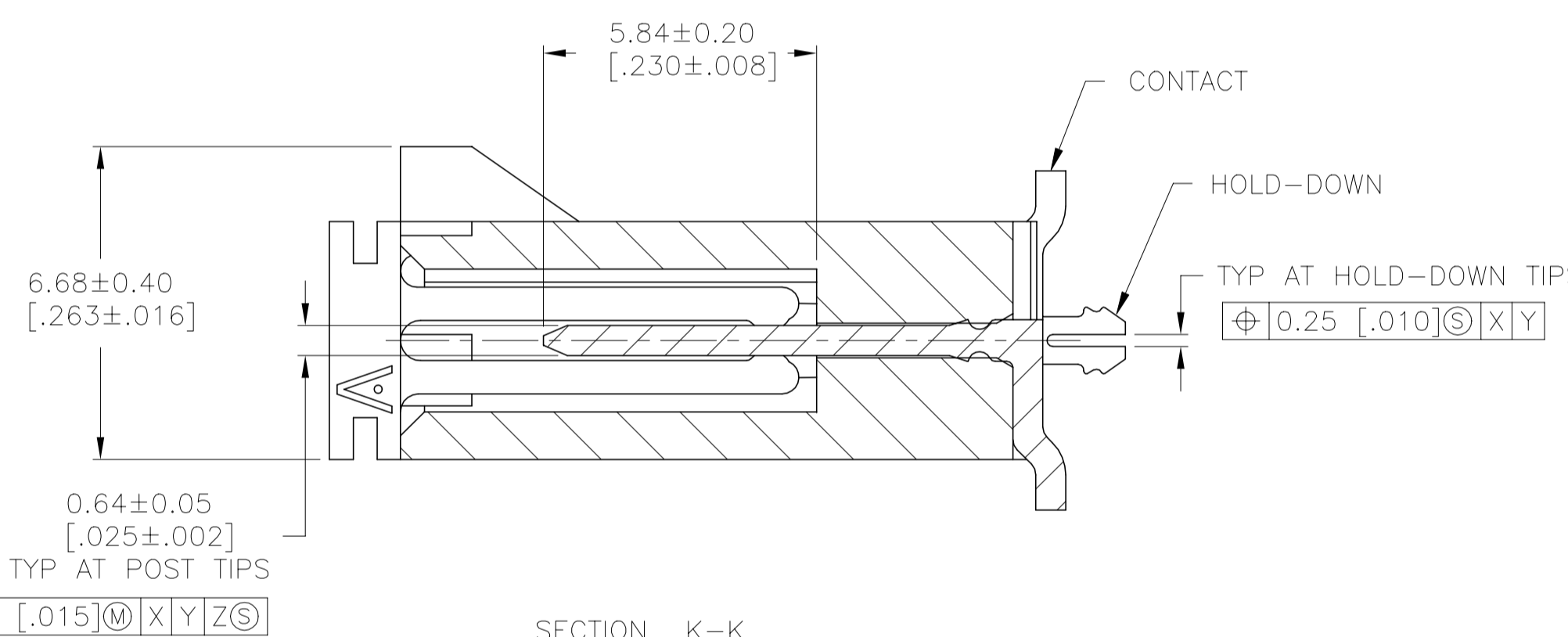
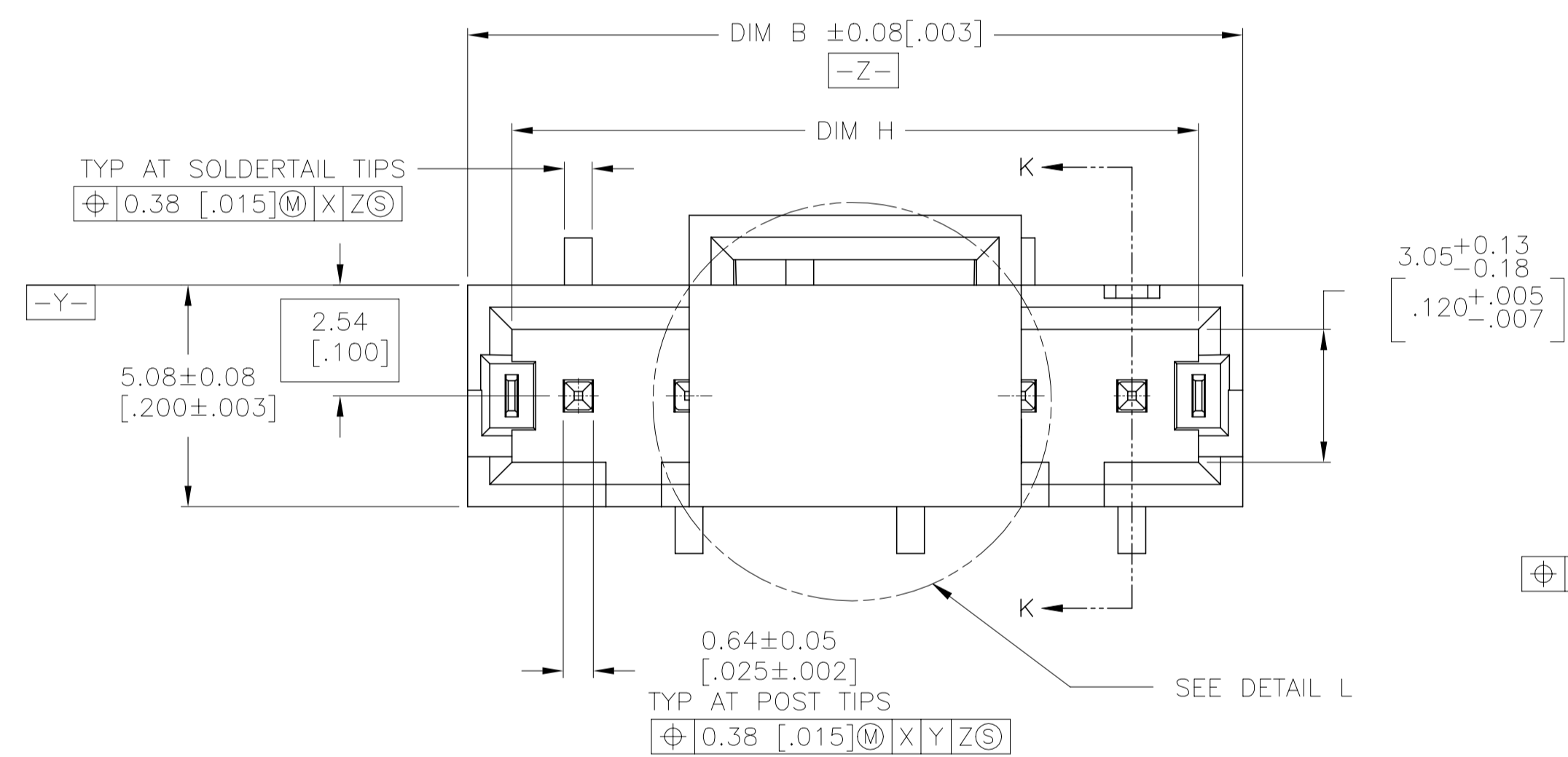


| REVISIONS | | | | |
|-----------|-----|---------------------------|-----------|------------|
| P | LTR | DESCRIPTION | DATE | BYN / APVD |
| G | | REVISED PER ECO-20-001327 | 04JUN2020 | SB / JO |



DETAIL L SHOWN WITH CAP REMOVED FOR CLARITY

- PACKAGE: TAPE AND REEL PER EIA-481 SPECIFICATIONS. SEE TABLE FOR TAPE WIDTHS
- MATERIAL: HOUSING AND PICK & PLACE CAP: HIGH TEMPERATURE LCP, COLOR - BLACK, CONTACTS: BRASS, HOLD-DOWNS: BERYLLIUM COPPER
- FINISH: CONTACTS: 0.000381 [0.00015] GOLD IN CONTACT AREA, 0.00254 [0.001] MATTE TIN-LEAD ON SOLDER TAIL ALL OVER 0.00127 [0.0005] NICKEL HOLD-DOWNS: 0.00381 [0.0015] MATTE TIN-LEAD OVER 0.00127 [0.0005] NICKEL
- CIRCUIT POSITION #1 IDENTIFICATION MARK
- DATUMS AND BASIC DIMENSIONS ARE ESTABLISHED BY CUSTOMER
- RECOMMENDED PC BOARD THICKNESS OF 1.57 [0.062]
- USE 1.510 ±0.025 [0.0595 ±0.0010] DRILLED HOLE (#53 DRILL), FINISH TO BE TIN-LEAD OVER 0.02 [0.0008] MIN COPPER
- FINISH: CONTACTS: 0.000381 [0.00015] GOLD IN CONTACT AREA, 0.00254 [0.001] MATTE TIN-LEAD ON SOLDER TAIL ALL OVER 0.00127 [0.0005] NICKEL HOLD-DOWNS: 0.00381 [0.0015] MATTE TIN OVER 0.00127 [0.0005] NICKEL
- 0.25 [0.010] RECESS PERMISSIBLE IN THIS AREA FOR MOLD SHUT OFF



| | | | |
|--|------------------|--------------------------|---|
| THIS DRAWING IS A CONTROLLED DOCUMENT. | | DWN J. MOSER 260CT99 | TE Connectivity Ltd. |
| DIMENSIONS: mm [INCHES] | | DWG L. BRESKOSKY 260CT99 | |
| TOLERANCES UNLESS OTHERWISE SPECIFIED: | | APVD K. WRIGHT 27JUN00 | NAME |
| 0 PLC ± - | 1 PLC ± - | PRODUCT SPEC | AMPMODU MTE SURFACE MOUNT. VERTICAL HEADER ASSEMBLY |
| 2 PLC ± 0.13 [0.005] | 3 PLC ± - | APPLICATION SPEC | 108-25034-2 |
| 4 PLC ± - | ANGLES ± - | 114-25026 | SIZE CAGE CODE DRAWING NO |
| MATERIAL | FINISH SEE TABLE | WEIGHT | A1 00779 C=1375582 |
| CUSTOMER DRAWING | | | RESTRICTED TO |
| SCALE 8:1 | | | SHEET 1 OF 2 REV G |

| REVISIONS | | | | |
|-----------|-----|-------------|------|-------|
| P | LTR | DESCRIPTION | DATE | APP'D |
| - | - | SEE SHEET 1 | - | - |

| | | | | | | | | | | | | | | |
|---------|------------|-------|-------|-------|-------|-------|-------|-------|-------|-------|-------|------------|-------------|-------------|
| △ | 88 | 3.465 | 64.01 | 2.530 | 32.01 | 1.260 | 64.02 | 2.520 | 65.91 | 2.595 | 60.96 | 2.400 | 25 | 7-1375582-4 |
| △ | 88 | 3.465 | 61.47 | 2.420 | 30.74 | 1.210 | 61.48 | 2.420 | 63.37 | 2.495 | 58.42 | 2.300 | 24 | 7-1375582-3 |
| △ | 88 | 3.465 | 58.93 | 2.320 | 29.47 | 1.160 | 58.94 | 2.320 | 60.83 | 2.395 | 55.88 | 2.200 | 23 | 7-1375582-2 |
| △ | 88 | 3.465 | 56.39 | 2.220 | 28.20 | 1.110 | 56.40 | 2.220 | 58.29 | 2.295 | 53.34 | 2.100 | 22 | 7-1375582-1 |
| △ | 88 | 3.465 | 53.85 | 2.120 | 26.93 | 1.060 | 53.86 | 2.120 | 55.75 | 2.195 | 50.80 | 2.000 | 21 | 7-1375582-0 |
| △ | 72 | 2.835 | 51.31 | 2.020 | 25.66 | 1.010 | 51.32 | 2.020 | 53.21 | 2.095 | 48.26 | 1.900 | 20 | 6-1375582-9 |
| △ | 72 | 2.835 | 48.77 | 1.920 | 24.39 | .960 | 48.78 | 1.920 | 50.67 | 1.995 | 45.72 | 1.800 | 19 | 6-1375582-8 |
| △ | 72 | 2.835 | 46.23 | 1.820 | 23.12 | .910 | 46.24 | 1.820 | 48.13 | 1.895 | 43.18 | 1.700 | 18 | 6-1375582-7 |
| △ | 72 | 2.835 | 43.69 | 1.720 | 21.85 | .860 | 43.70 | 1.720 | 45.59 | 1.795 | 40.64 | 1.600 | 17 | 6-1375582-6 |
| △ | 72 | 2.835 | 41.15 | 1.620 | 20.58 | .810 | 41.16 | 1.620 | 43.05 | 1.695 | 38.10 | 1.500 | 16 | 6-1375582-5 |
| △ | 56 | 2.205 | 38.61 | 1.520 | 19.31 | .760 | 38.62 | 1.520 | 40.51 | 1.595 | 35.56 | 1.400 | 15 | 6-1375582-4 |
| △ | 56 | 2.205 | 36.07 | 1.420 | 18.04 | .710 | 36.08 | 1.420 | 37.97 | 1.495 | 33.02 | 1.300 | 14 | 6-1375582-3 |
| △ | 56 | 2.205 | 33.53 | 1.320 | 16.77 | .660 | 33.54 | 1.320 | 35.43 | 1.395 | 30.48 | 1.200 | 13 | 6-1375582-2 |
| △ | 56 | 2.205 | 30.99 | 1.220 | 15.50 | .610 | 31.00 | 1.220 | 32.89 | 1.295 | 27.94 | 1.100 | 12 | 6-1375582-1 |
| △ | 56 | 2.205 | 28.45 | 1.120 | 14.23 | .560 | 28.46 | 1.120 | 30.35 | 1.195 | 25.40 | 1.000 | 11 | 6-1375582-0 |
| △ | 56 | 2.205 | 25.91 | 1.020 | 12.96 | .510 | 25.92 | 1.020 | 27.81 | 1.095 | 22.86 | .900 | 10 | 5-1375582-9 |
| △ | 44 | 1.732 | 23.37 | .920 | 11.69 | .460 | 23.38 | .920 | 25.27 | .995 | 20.32 | .800 | 9 | 5-1375582-8 |
| △ | 44 | 1.732 | 20.83 | .820 | 10.42 | .410 | 20.84 | .820 | 22.73 | .895 | 17.78 | .700 | 8 | 5-1375582-7 |
| △ | 44 | 1.732 | 18.29 | .720 | 9.15 | .360 | 18.30 | .720 | 20.19 | .795 | 15.24 | .600 | 7 | 5-1375582-6 |
| △ | 32 | 1.260 | 15.75 | .620 | 7.88 | .310 | 15.76 | .620 | 17.65 | .695 | 12.70 | .500 | 6 | 5-1375582-5 |
| △ | 32 | 1.260 | 13.21 | .520 | 6.61 | .260 | 13.22 | .520 | 15.11 | .595 | 10.16 | .400 | 5 | 5-1375582-4 |
| △ | 32 | 1.260 | 10.67 | .420 | 5.34 | .210 | 10.68 | .420 | 12.57 | .495 | 7.62 | .300 | 4 | 5-1375582-3 |
| △ | 32 | 1.260 | 8.13 | .320 | 4.07 | .160 | 8.14 | .320 | 10.03 | .395 | 5.08 | .200 | 3 | 5-1375582-2 |
| △ | 24 | .945 | 5.59 | .220 | 2.80 | .110 | 5.60 | .220 | 7.49 | .295 | 2.54 | .100 | 2 | 5-1375582-1 |
| △ | 88 | 3.465 | 64.01 | 2.530 | 32.01 | 1.260 | 64.02 | 2.520 | 65.91 | 2.595 | 60.96 | 2.400 | 25 | 2-1375582-4 |
| △ | 88 | 3.465 | 61.47 | 2.420 | 30.74 | 1.210 | 61.48 | 2.420 | 63.37 | 2.495 | 58.42 | 2.300 | 24 | 2-1375582-3 |
| △ | 88 | 3.465 | 58.93 | 2.320 | 29.47 | 1.160 | 58.94 | 2.320 | 60.83 | 2.395 | 55.88 | 2.200 | 23 | 2-1375582-2 |
| △ | 88 | 3.465 | 56.39 | 2.220 | 28.20 | 1.110 | 56.40 | 2.220 | 58.29 | 2.295 | 53.34 | 2.100 | 22 | 2-1375582-1 |
| △ | 88 | 3.465 | 53.85 | 2.120 | 26.93 | 1.060 | 53.86 | 2.120 | 55.75 | 2.195 | 50.80 | 2.000 | 21 | 2-1375582-0 |
| △ | 72 | 2.835 | 51.31 | 2.020 | 25.66 | 1.010 | 51.32 | 2.020 | 53.21 | 2.095 | 48.26 | 1.900 | 20 | 1-1375582-9 |
| △ | 72 | 2.835 | 48.77 | 1.920 | 24.39 | .960 | 48.78 | 1.920 | 50.67 | 1.995 | 45.72 | 1.800 | 19 | 1-1375582-8 |
| △ | 72 | 2.835 | 46.23 | 1.820 | 23.12 | .910 | 46.24 | 1.820 | 48.13 | 1.895 | 43.18 | 1.700 | 18 | 1-1375582-7 |
| △ | 72 | 2.835 | 43.69 | 1.720 | 21.85 | .860 | 43.70 | 1.720 | 45.59 | 1.795 | 40.64 | 1.600 | 17 | 1-1375582-6 |
| △ | 72 | 2.835 | 41.15 | 1.620 | 20.58 | .810 | 41.16 | 1.620 | 43.05 | 1.695 | 38.10 | 1.500 | 16 | 1-1375582-5 |
| △ | 56 | 2.205 | 38.61 | 1.520 | 19.31 | .760 | 38.62 | 1.520 | 40.51 | 1.595 | 35.56 | 1.400 | 15 | 1-1375582-4 |
| △ | 56 | 2.205 | 36.07 | 1.420 | 18.04 | .710 | 36.08 | 1.420 | 37.97 | 1.495 | 33.02 | 1.300 | 14 | 1-1375582-3 |
| △ | 56 | 2.205 | 33.53 | 1.320 | 16.77 | .660 | 33.54 | 1.320 | 35.43 | 1.395 | 30.48 | 1.200 | 13 | 1-1375582-2 |
| △ | 56 | 2.205 | 30.99 | 1.220 | 15.50 | .610 | 31.00 | 1.220 | 32.89 | 1.295 | 27.94 | 1.100 | 12 | 1-1375582-1 |
| △ | 56 | 2.205 | 28.45 | 1.120 | 14.23 | .560 | 28.46 | 1.120 | 30.35 | 1.195 | 25.40 | 1.000 | 11 | 1-1375582-0 |
| △ | 56 | 2.205 | 25.91 | 1.020 | 12.96 | .510 | 25.92 | 1.020 | 27.81 | 1.095 | 22.86 | .900 | 10 | 1375582-9 |
| △ | 44 | 1.732 | 23.37 | .920 | 11.69 | .460 | 23.38 | .920 | 25.27 | .995 | 20.32 | .800 | 9 | 1375582-8 |
| △ | 44 | 1.732 | 20.83 | .820 | 10.42 | .410 | 20.84 | .820 | 22.73 | .895 | 17.78 | .700 | 8 | 1375582-7 |
| △ | 44 | 1.732 | 18.29 | .720 | 9.15 | .360 | 18.30 | .720 | 20.19 | .795 | 15.24 | .600 | 7 | 1375582-6 |
| △ | 32 | 1.260 | 15.75 | .620 | 7.88 | .310 | 15.76 | .620 | 17.65 | .695 | 12.70 | .500 | 6 | 1375582-5 |
| △ | 32 | 1.260 | 13.21 | .520 | 6.61 | .260 | 13.22 | .520 | 15.11 | .595 | 10.16 | .400 | 5 | 1375582-4 |
| △ | 32 | 1.260 | 10.67 | .420 | 5.34 | .210 | 10.68 | .420 | 12.57 | .495 | 7.62 | .300 | 4 | 1375582-3 |
| △ | 32 | 1.260 | 8.13 | .320 | 4.07 | .160 | 8.14 | .320 | 10.03 | .395 | 5.08 | .200 | 3 | 1375582-2 |
| △ | 24 | .945 | 5.59 | .220 | 2.80 | .110 | 5.60 | .220 | 7.49 | .295 | 2.54 | .100 | 2 | 1375582-1 |
| PLATING | TAPE WIDTH | H | | D | | C | | B | | A | | NO OF POSN | PART NUMBER | |

THIS DRAWING IS A CONTROLLED DOCUMENT.

DIMENSIONS: mm [INCHES]
 0 PLC ± -
 1 PLC ± -
 2 PLC ± 0.13 [005]
 3 PLC ± -
 4 PLC ± -
 ANGLES ± -
 MATERIAL: SEE TABLE
 FINISH:

TOLERANCES UNLESS OTHERWISE SPECIFIED:
 0 PLC ± -
 1 PLC ± -
 2 PLC ± 0.13 [005]
 3 PLC ± -
 4 PLC ± -
 ANGLES ± -
 MATERIAL: SEE TABLE
 FINISH:

DWG: J. MOSER 26OCT99
 DWG: L. BRESKOSKY 26OCT99
 APVD: K. WRIGHT 27JUN00
 NAME: AMPMODU MTE SURFACE MOUNT. VERTICAL HEADER ASSEMBLY
 SIZE: A1
 CAGE CODE: 00779
 DRAWING NO: 1375582
 SCALE: 8:1
 SHEET: 2 OF 2
 REV: G

STE TE Connectivity Ltd.
 CUSTOMER DRAWING

X-ON Electronics

Largest Supplier of Electrical and Electronic Components

Click to view similar products for [Headers & Wire Housings](#) category:

Click to view products by [TE Connectivity](#) manufacturer:

Other Similar products are found below :

[892-18-020-10-001101](#) [58102-G61-06LF](#) [582553-1](#) [0009485154](#) [009176003701906](#) [0050291907](#) [LY20-4P-DT1-P1E-BR](#) [02.125.8002.8](#)
[609-3404](#) [61062-3](#) [61082-181009](#) [622-3653LF](#) [63453-116](#) [636-1030](#) [636-1427](#) [636-3427](#) [636-4007](#) [641938-9](#) [641991-4](#) [644827-2](#) [65817-010LF](#) [65817-015LF](#) [65863-015LF](#) [66207-023LF](#) [67095-007LF](#) [67601157](#) [68645-018](#) [68648-049](#) [70.362.1628.0](#) [70-4210](#) [70-4226B](#) [70-4853B](#) [707-5020](#) [707-5028](#) [71.350.2428.0](#) [71918-208LF](#) [71961-016LF](#) [733-134](#) [733-162](#) [754199-000](#) [760-3052](#) [787-8014-00](#) [79531-3000](#)
[FCN-360C032-B](#) [FCN-367T-T012/H](#) [FCN-723D010/2](#) [80.063.4001.1](#) [800-90-001-10-001000](#) [800-90-010-10-002000](#) [801-43-002-10-013000](#)