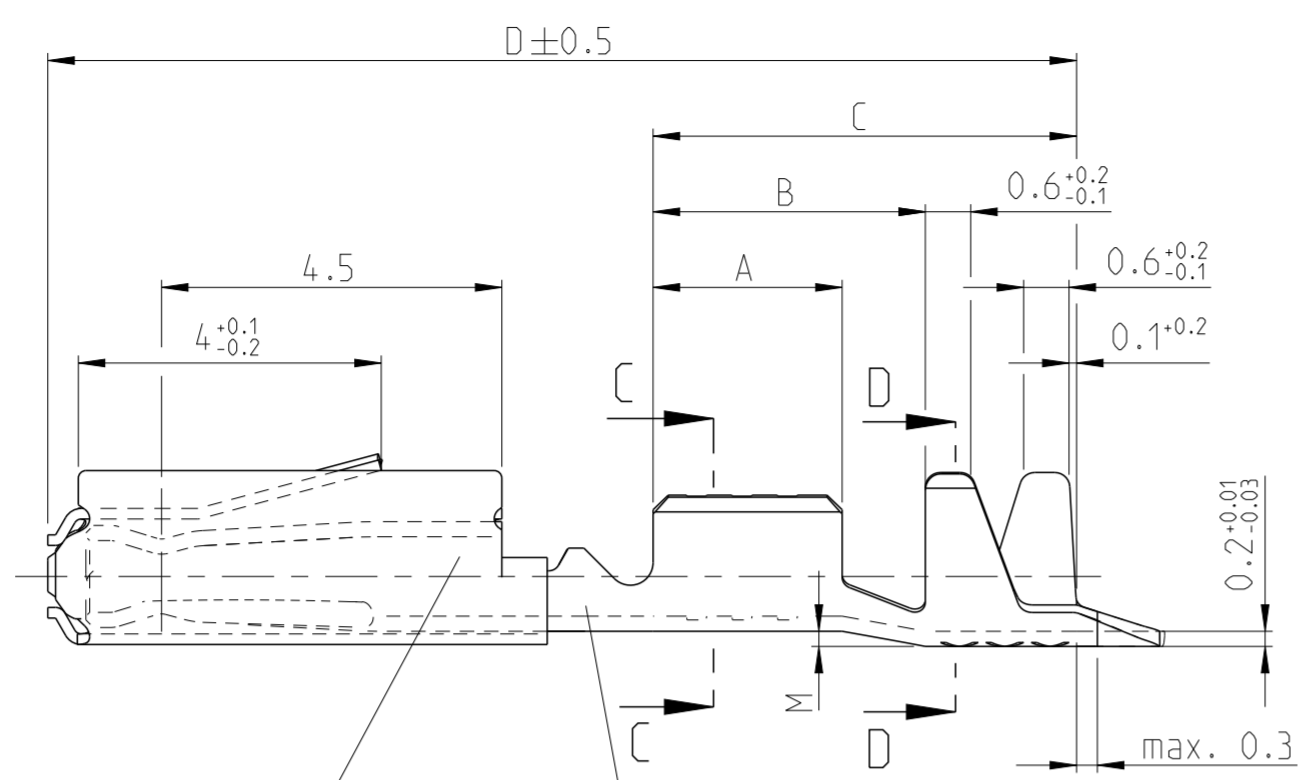


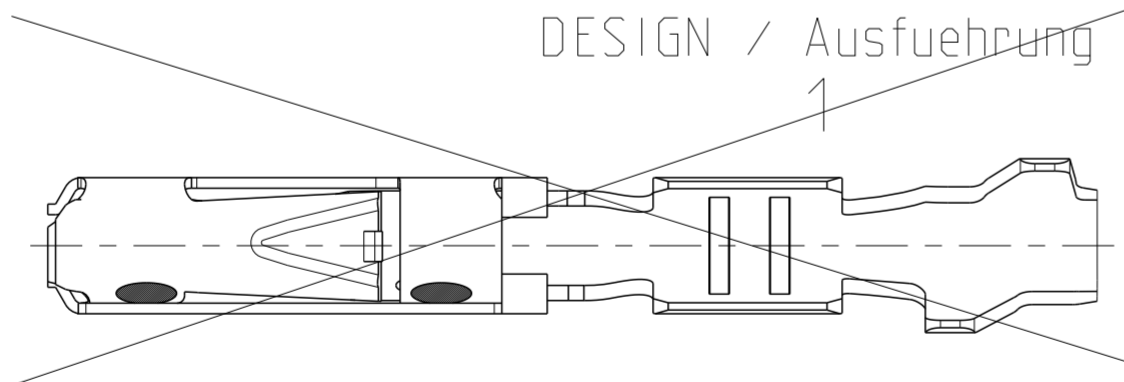
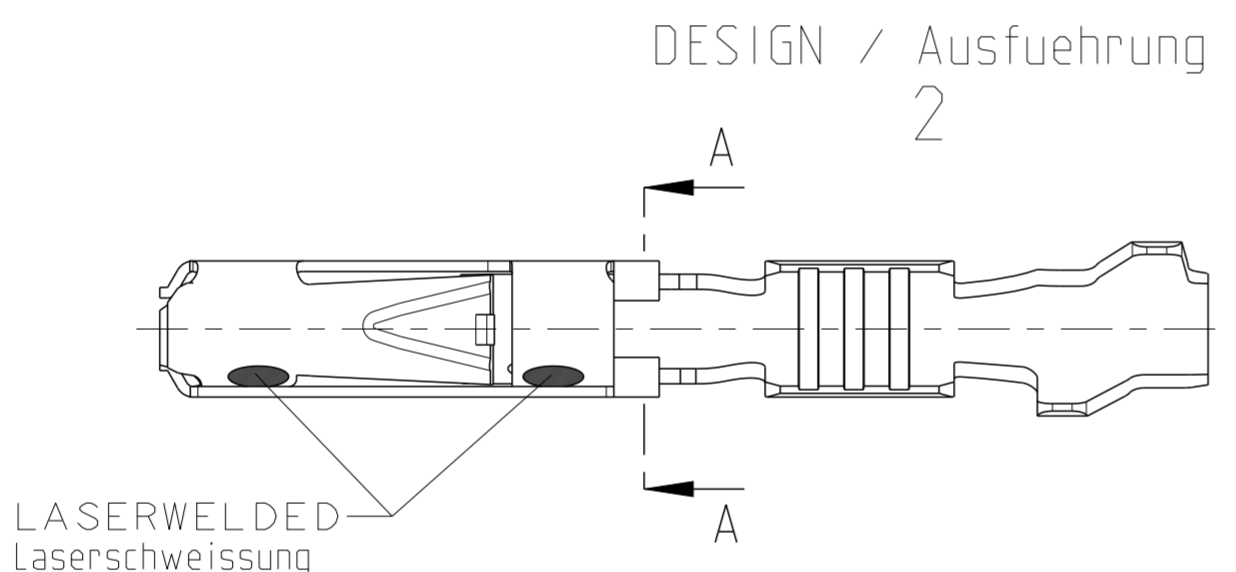
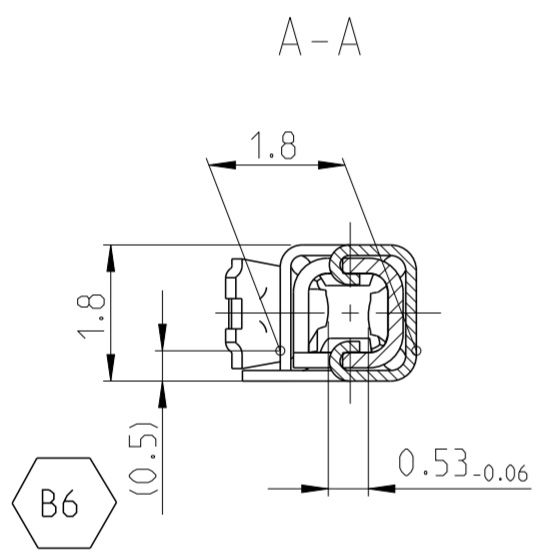
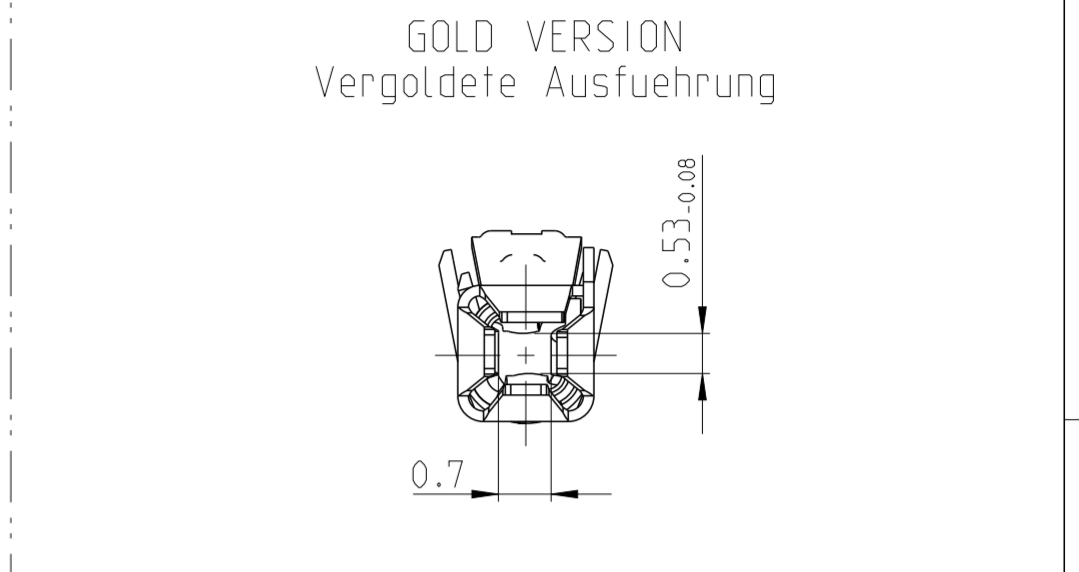
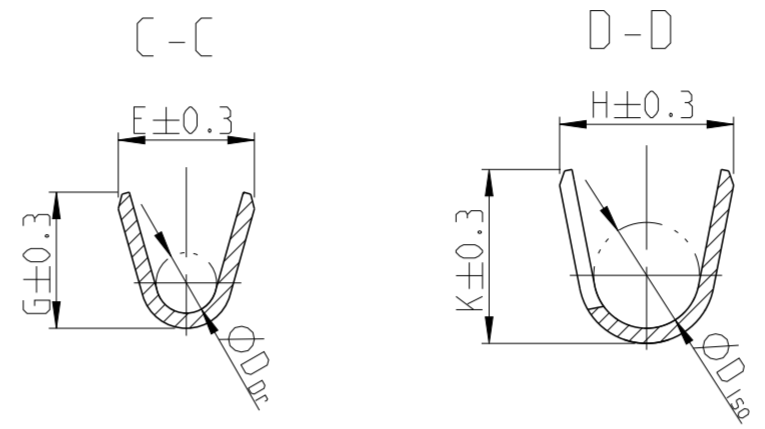
THIS DRAWING IS UNPUBLISHED. RELEASED FOR PUBLICATION 2012
 © COPYRIGHT 2012 Tyco Electronics AMP GmbH ALL RIGHTS RESERVED.

LOC	DIST	REVISIONS			
P	LTR	DESCRIPTION	DATE	DWN	APVD
B3		PN's 1394406-1/-2 AND 1394407-1/-2 REM. F. TABLE	02APR2013	Abr	Brun
B4		LP Variants removed. ECR-13-015135	30SEP2013	Abr	Brun
B5		New view for gold version added PN's OBSOLETE. ECR-13-005676	02APR2019	FRAN	BERG
B6		See PCN E-19-011079	09DEC2019	MAH.	BERG



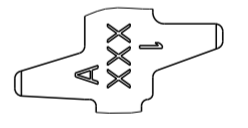
SPRING / Ueberfeder
 MATERIAL : X10CrNi 188
 SURFACE : PLAIN
 Oberflaeche : blank

BODY / Kontaktkoerper
 MATERIAL : CuNiSi
 SURFACE : SEE CHART
 Oberflaeche : siehe Tabelle



NOTES
 Bemerkungen

- SUITABLE FOR PIN CONTACT SEE DRAWING: TE: 929453
 Passend zu Stiftkontakt siehe Zeichnung: TE: 929453
- FOR FLR-CONDUCTOR ACCORDING TO DIN ISO6722-2 ONLY
 Nur fuer FLR-Leitung nach DIN ISO 6722-2
- DETAILS OF DESIGN ARE LEFT TO MANUFACTURER
 Einzelheiten der Ausfuehrung bleiben dem Hersteller ueberlassen
- TE REVISION AND DIE IDENTIFICATION (E.G. REV. A DIE-NO. 1)
 TE Revision und Werkzeug-Nr.(z.B. Rev. A Wkzg.-Nr. 1)
- 5 Variants von Design1 werden durch die entsprechenden Versionen von Design2 ersetzt
 VARIANTS OF DESIGN1 ARE SUPERSEDED BY CORRESPONDING VERSIONS OF DESIGN2



B6

ORDER NO. Bestell-Nr. Ausfuehrung	REV	ORDER NO. DESIGN Bestell-Nr. Ausfuehrung	REV	WIRE SIZE RANGE DGB mm ²	INSULATION Ø Isolations Ø	SURFACE CONTACT AREA Oberflaeche Kontaktzone	LENGTH Laenge mm	WIRE CRIMP Drahtcrimp mm	INSU. CRIMP Iso' Crimp mm	WEIGHT Gewicht g
5-1394702-2	B	1394702-2	A	B6 0.25-0.35	1.2-1.6	Au	A = 2.5 B = 3.6 C = 5.6 D = 13.6 M = 0.2	E = 1.8 G = 1.8 D _{Dr} = 0.8	H = 2.3 K = 2.3 D _{Iso} = 1.4	0.13
5-1394702-1	B	1394702-1	A			Sn				
ORDER NO. DESIGN Bestell-Nr. Ausfuehrung	REV	ORDER NO. DESIGN Bestell-Nr. Ausfuehrung	REV	WIRE SIZE RANGE DGB mm ²	INSULATION Ø Isolations Ø	SURFACE CONTACT AREA Oberflaeche Kontaktzone	LENGTH Laenge mm	WIRE CRIMP Drahtcrimp mm	INSU. CRIMP Iso' Crimp mm	WEIGHT Gewicht g
2		1	5				DIMENSIONS/ Abmessungen			

THIS DRAWING IS A CONTROLLED DOCUMENT.

DWN: R.Schaefer 29JAN2002
 CHK: H.Kampmann 29APR2008
 APVD: M.Bleicher 29APR2008

STE TE Connectivity

NAME: MGS, 2POINT
 PRODUCT GROUP DRAWING SOCKET CONTACT
 Produktgruppenzeichnung Buchsenkontakt

PRODUCT SPEC: 108-18874
 APPLICATION SPEC: 114-18021

MATERIAL: -
 FINISH: -

WEIGHT: -

CUSTOMER DRAWING

SCALE: 10:1
 SHEET: 1 OF 1
 REV: B6

X-ON Electronics

Largest Supplier of Electrical and Electronic Components

Click to view similar products for [Automotive Connectors](#) category:

Click to view products by [TE Connectivity](#) manufacturer:

Other Similar products are found below :

[003-018-000](#) [60403001](#) [60993906-B](#) [M902-2131](#) [M902-2161](#) [72.330.1035.1](#) [73.353.4028.0](#) [F119300-B](#) [F166900](#) [F258300-B](#) [F358300-B](#)
[F407400](#) [F444110](#) [F487000](#) [F509500B-B](#) [827153-1](#) [8N1515-32-24P](#) [9-1326729-8](#) [925474-1](#) [928905-1](#) [964562-4](#) [968782-1](#) [GT17SA-8DS-](#)
[HU](#) [98891-1012](#) [98947-1016](#) [12004147](#) [12004475-L](#) [12010290](#) [12010309-B](#) [12015454](#) [12020219-B](#) [12020308](#) [12041318-B](#) [12052225-L](#)
[12052466](#) [12059125](#) [12064869](#) [12004327-B](#) [12010503-B](#) [12015308](#) [12015384](#) [12015909](#) [1-21030-1](#) [12041254](#) [12041318](#) [12047946-B](#)
[12047957](#) [12047957-L](#) [12059473](#) [12066261](#)