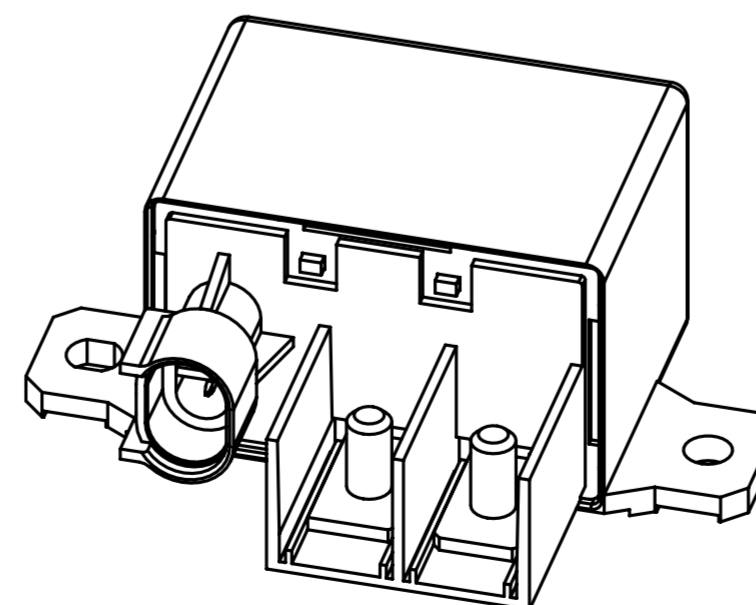
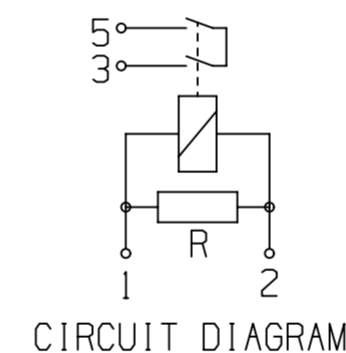
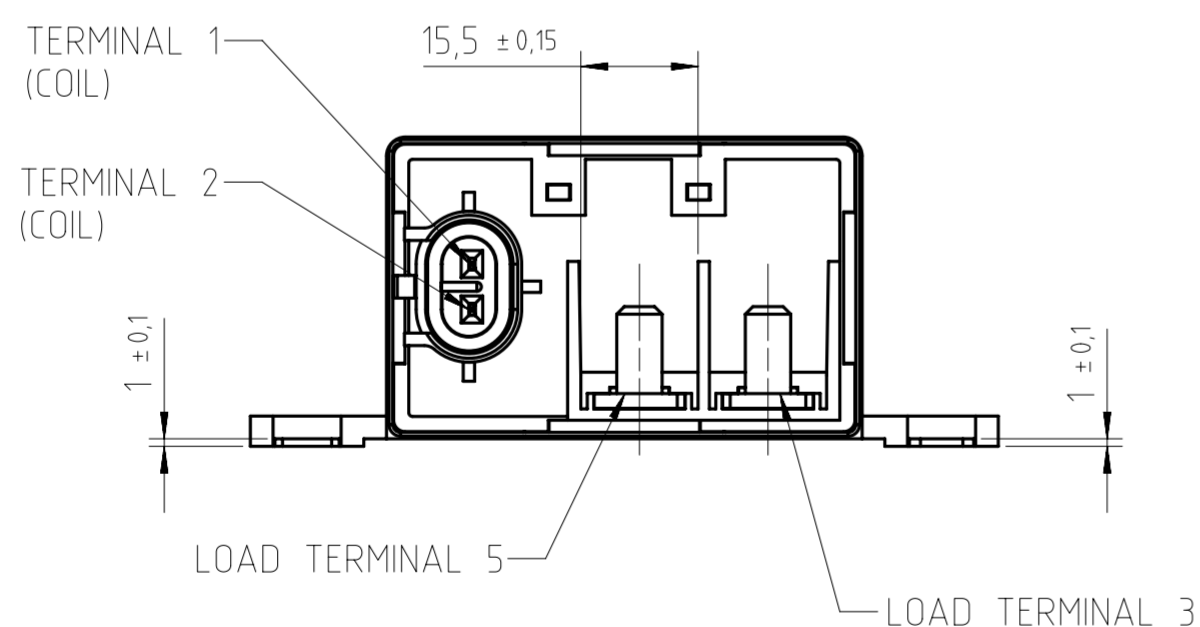
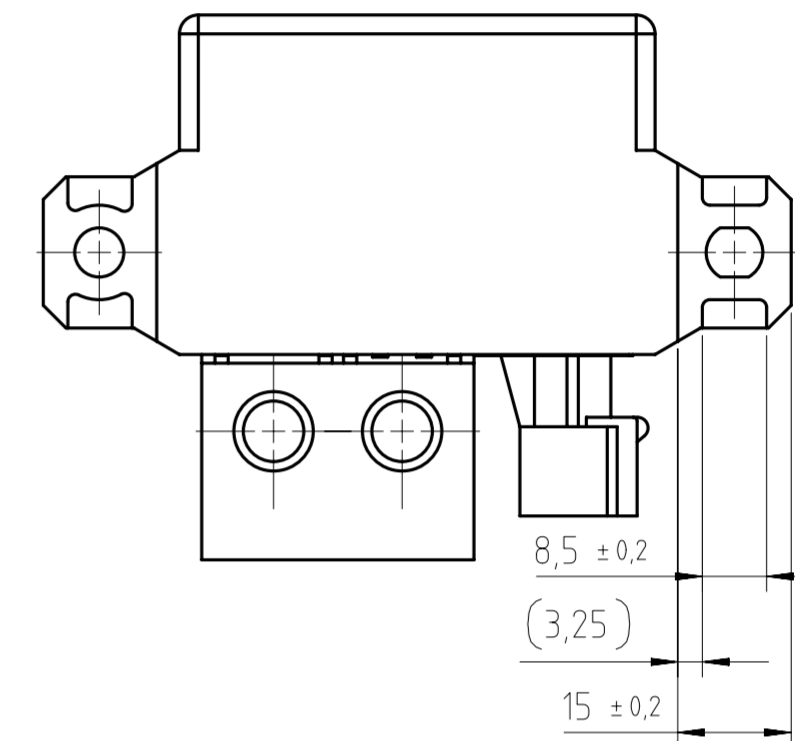
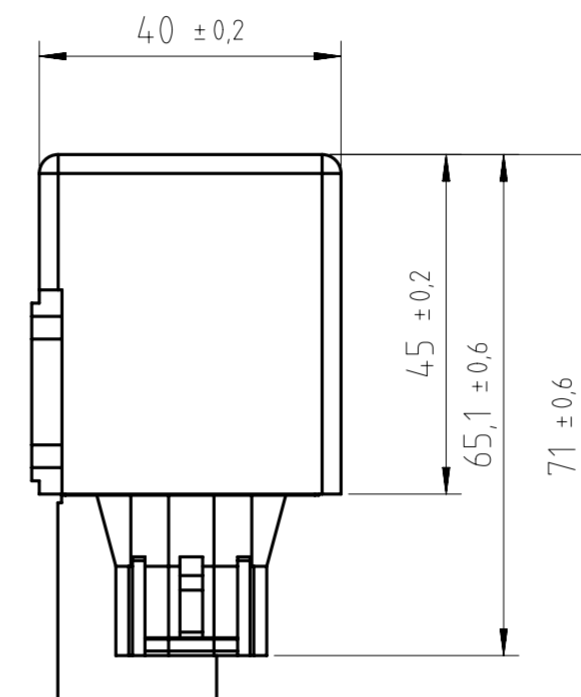
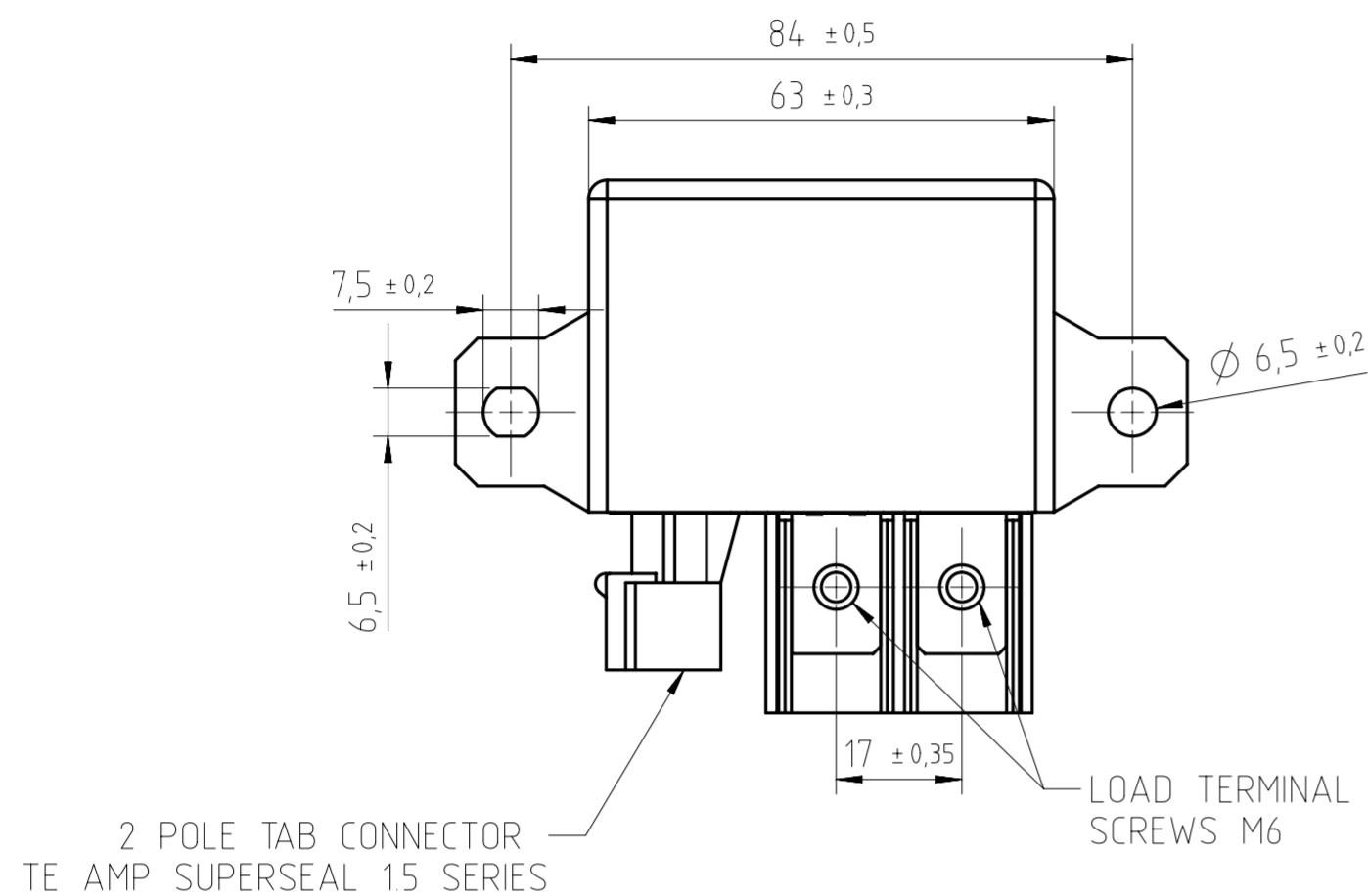


PART	MATERIAL
COVER	PA 66 GF 25
BASE	PA 66 GF 25
COIL TERMINAL 1	CuSn
COIL TERMINAL 2	CuSn
LOAD TERMINAL 3	ECu
LOAD TERMINAL 5	ECu
CONTACTS	AgSnO <sub>2</sub>



TE P/N	REV	TE PART NAME
1-1393315-1	B	V23132-B2002-B200

PROPRIETARY THE REPRODUCTION, TRANSMISSION OR USE OF THIS DOCUMENT OR IT'S CONTENTS IS NOT PERMITTED WITHOUT EXPRESSED WRITTEN AUTHORITY. OFFENDERS WILL BE LIABLE FOR ALL DAMAGES. ALL RIGHTS, INCLUDING RIGHTS CREATED BY REGISTERED PATENT(S) GRANTED FOR A UTILITY MODEL OR DESIGN, ARE RESERVED.		CHANGES TO THIS DRAWING MUST BE DONE ONLY IN CAD	PAPER SIZE <b>A2</b>
APPLICABLE SPEC.:		FINISH	
TOLERANCE UNLESS SPECIFIED OTHERWISE $\pm 0,1$ $+ 1^\circ$		DIMENSIONS APPLY SCALE <b>1:1</b>	PLATING WEIGHT
DIMENSIONS IN MM		MATERIAL	
DATE DWN. 23APR2009 APP. 10Nov2017		PART NAME <b>DIMENSIONAL DRAWING HCR 24V</b>	
NAME HFranc A.Fer		DWG NO. <b>V23132-B2002-B200</b>	
LOCATION AMR PE Evora		SHT. <b>1</b> OF 2	
B ECO-17-016680 A INITIAL VERSION	10Nov2017 04MAR2011	FS HMF	
REV. CHANGE ORDER	DATE	APP.	

Coil data	
Rated coil voltage	24 VDC
Coil resistance (unsuppressed coil)	178 Ohm
Rated coil power (unsuppressed coil)	3,3 W
Maximum coil temperature	155°C

Electrical values	
Rated voltage	24 VDC
Coil resistance (with suppression)	141 Ohm
Rated coil power (with suppression)	4,1 W
Operate voltage VDC	14,4
Release voltage VDC	2,4

Contact data	
Contact arrangement	Double Make contact 1 Form X
Rated voltage	24 VDC
Rated current, cable 25mm <sup>2</sup>	130A at 85°C
Limiting continuous current	
23°C, load cable 16mm <sup>2</sup>	130A
85°C, load cable 16mm <sup>2</sup>	120A
125°C, load cable 16mm <sup>2</sup>	60A
23°C, load cable 25mm <sup>2</sup>	180A
85°C, load cable 25mm <sup>2</sup>	130A
125°C, load cable 25mm <sup>2</sup>	70A
Limiting making current, load current max. 3s on, make/break ratio 1:10	300A
Limiting breaking current	300A
Contact material	AgSnO2
Min Recommended contact load	1A at 5VDC
Initial voltage drop, typ. at 100A	70mV
Frequency of operation, with/without load	6 ops./min.
Operate/release time typ at nominal voltage	25/8ms
Electrical endurance	
form A contact (NO), resistive load, cyclic temperature: +23°C	>5x10 <sup>4</sup> cycles at 200A, 27VDC
Mechanical endurance	>10 <sup>7</sup> operations

Other Data	
EU RoHS/ELV compliance	complaint
Ambient temperature	-40 to +125° C
Dry heat, IEC 60068-2-2	500h at 100°C
Damp heat constant, IEC 60068-2-3 (78), Ca	500h, 40°C, 93% RH
Degree of protection	
dustproof	IP54 (IEC 60529), RT I (IEC 61810)
sealed:	sealing in accordance with IEC 68
immersion cleanable	IP67 (IEC 60529), RT III (IEC 61810)
Corrosive gas	
IEC 60068-2-42	10 days
IEC 60068-2-43	10 days
Vibration resistance (functional)	
IEC 60068-2-6 (sine sweep)	10 to 200 Hz >5g <sup>1</sup>
Shock resistance (functional)	
IEC 60068-2-27 (half sine)	6ms >20g <sup>1</sup>
Drop test, free fall	
IEC 60068-2-32	1m onto concrete

<sup>1</sup> No change in the switching state > 10 micro s

Mechanical data	
Cover retention	
Pull force	500 N
Push force	500 N
Terminal retention	
Pull force	150 N
Push force	150 N
Resistance to bending	20 N
Force applied to side	20 N
Torsion	5 Nm

TE P/N	REV.	TE PART NAME
1-1393315-1	B	V23132-B2002-B200
<small>PROPRIETARY</small> <small>THE REPRODUCTION, TRANSMISSION OR USE OF THIS DOCUMENT OR IT'S CONTENTS IS NOT PERMITTED WITHOUT EXPRESSED WRITTEN AUTHORITY. OFFENDERS WILL BE LIABLE FOR ALL DAMAGES. ALL RIGHTS, INCLUDING RIGHTS CREATED BY REGISTERED PATENT(S) GRANTED FOR A UTILITY MODEL OR DESIGN, ARE RESERVED.</small>		<small>CHANGES TO THIS DRAWING MUST BE DONE ONLY IN CAD</small>
<small>APPLICABLE SPEC.:</small>		<small>FINISH</small> <small>DIMENSIONS APPLY</small> <small>PLATING</small>
<small>TOLERANCE UNLESS SPECIFIED OTHERWISE</small> <small>± 0,1</small> <small>+ 1°</small>		<small>SCALE</small> <b>1:1</b> <small>WEIGHT</small>
<small>DIMENSIONS IN MM</small>		<small>MATERIAL</small>
<small>DATE</small> <small>NAME</small> <small>DWN. 23APR2009</small> <small>HFranc</small> <small>APP. 10Nov2017</small> <small>A.Fern</small> <small>REV.</small> <small>LOCATION</small> <small>AMR PE Evora</small>		<small>PART NAME</small> <b>DIMENSIONAL DRAWING</b> <b>HCR 24V</b>
<small>ECO-17-016680</small> <small>10Nov2017</small> <small>FS</small> <small>INITIAL VERSION</small> <small>04MAR2011</small> <small>HMF</small>		<small>DWG NO.</small> <b>V23132-B2002-B200</b>
<small>REV. CHANGE ORDER</small> <small>DATE</small> <small>APP.</small>		<small>SHT.</small> <b>2</b> <small>OF 2</small>



## X-ON Electronics

Largest Supplier of Electrical and Electronic Components

*Click to view similar products for [Automotive Relays](#) category:*

*Click to view products by [TE Connectivity](#) manufacturer:*

Other Similar products are found below :

[7-1414968-8](#) [7-1617345-6](#) [9-1617516-5](#) [G5CE1ASIDC12](#) [1393204-2](#) [1393302-3](#) [13Z99A115-0074](#) [1432872-1](#) [AR4-15F11-S01](#) [AR4-15H11](#)  
[1617057-2](#) [1617058-6](#) [1617518-5](#) [2-1617057-2](#) [2-1617057-6](#) [2-1617058-3](#) [CB1F-M-12V-H15](#) [898H-1AH-D-001-12VDC](#) [AR4-11F11](#)  
[AR4-15F11](#) [AR4-41F11](#) [24198-1](#) [4-1617057-0](#) [41FZ-200ACG-BSL](#) [5-1616920-2](#) [5-1617052-9](#) [5407-0011-HS](#) [CB1AF-M-12V-H59](#) [5-](#)  
[1617346-8](#) [103-1AH-C-12VDC](#) [V23134A1052X299](#) [6-1393302-1](#) [897H-1AH-D-R1-U01-12VDC](#) [FTR-P3CP024W1-06](#) [1-1617057-8](#) [3-](#)  
[1393305-1](#) [5436-0001-HS](#) [V23086-R1851-A502](#) [V23136-A0004-X075](#) [898H-1AH-D1SW-R1-12VDC](#) [RH4C1P2607](#) [RE031005](#)  
[V23134M0052G242](#) [1393204-1](#) [23234B0001X001-EV-144](#) [AZ979-1A-24D](#) [2-1904020-1](#) [V23134B0052C642](#) [V23134B0053C642](#) [V23234-](#)  
[A1001-X036](#)